

7-16 DIN Female to 7-16 DIN Male Right Angle Adapter



Product Classification

Product Type Adapter

General Specifications

Interface 7-16 DIN Female

Interface 2 7-16 DIN Male

Body Style Right angle

Electrical Specifications

Connector Impedance 50 ohm

Operating Frequency Band 0 – 6000 MHz

Average Power at Frequency 1,300.0 W @ 900 MHz

RF Operating Voltage, maximum (vrms) 1200.00 V

dc Test Voltage 4000 V

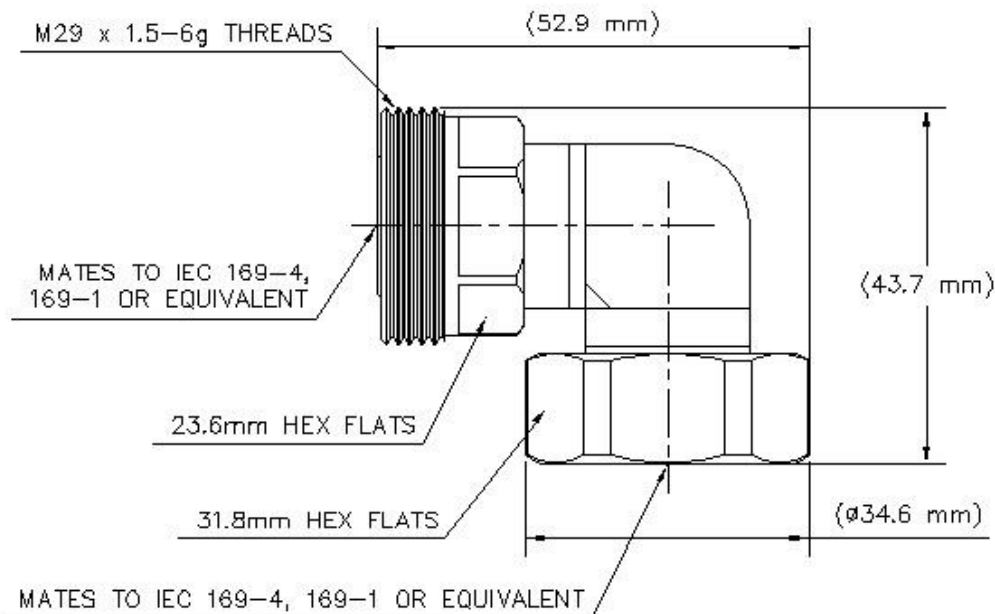
Outer Contact Resistance, maximum 1.50 mOhm

Inner Contact Resistance, maximum 0.40 mOhm

Insulation Resistance, minimum 10000 MOhm

Peak Power, maximum 28.80 kW

Outline Drawing



Mechanical Specifications

Coupling Nut Proof Torque	50.00 N-m 36.88 ft lb
Coupling Nut Proof Torque Method	IEC 61169-4:17
Coupling Nut Retention Force	800.00 N 179.85 lbf
Coupling Nut Retention Force Method	IEC 61169-4:15.2.6
Inner Contact Plating	Silver
Insertion Force	200.00 N 44.96 lbf
Interface Durability	500 cycles
Interface Durability Method	IEC 61169-4:17
Outer Contact Plating	Trimetal
Pressurizable	No

Dimensions

Diameter	31.75 mm 1.25 in
Length	53.00 mm 2.09 in
Weight	171.00 g 0.38 lb
Width	31.75 mm 1.25 in

Environmental Specifications

CA-DFDR

Operating Temperature	-40 °C to +85 °C (-40 °F to +185 °F)
Storage Temperature	-65 °C to +125 °C (-85 °F to +257 °F)
Mechanical Shock Test Method	IEC 60068-2-27
Climatic Sequence Test Method	IEC 60068-1
Damp Heat Steady State Test Method	IEC 60068-2-3
Thermal Shock Test Method	IEC 60068-2-14
Vibration Test Method	IEC 60068-2-6
Corrosion Test Method	IEC 60068-2-11

Return Loss/VSWR

Frequency Band	VSWR	Return Loss (dB)
0–3000 MHz	1.08	28.00
3000–6000 MHz	1.17	22.00

Regulatory Compliance/Certifications

Agency

RoHS 2011/65/EU
ISO 9001:2015
China RoHS SJ/T 11364-2014

Classification

Compliant by Exemption
Designed, manufactured and/or distributed under this quality management system
Above Maximum Concentration Value (MCV)

