

# CA-QDFBNF

---

## QDS Female to Type N Female Bulkhead Adapter

**OBSOLETE**

### Product Classification

**Product Type** Adapter

### General Specifications

**Interface** QDS Female

**Interface 2** N Female

**Body Style** Straight

**Mounting Angle** Straight

### Electrical Specifications

**Connector Impedance** 50 ohm

**Operating Frequency Band** 0 – 6000 MHz

**Average Power at Frequency** 600.0 W @ 900 MHz

**RF Operating Voltage, maximum (vrms)** 707.00 V

**dc Test Voltage** 2500 V

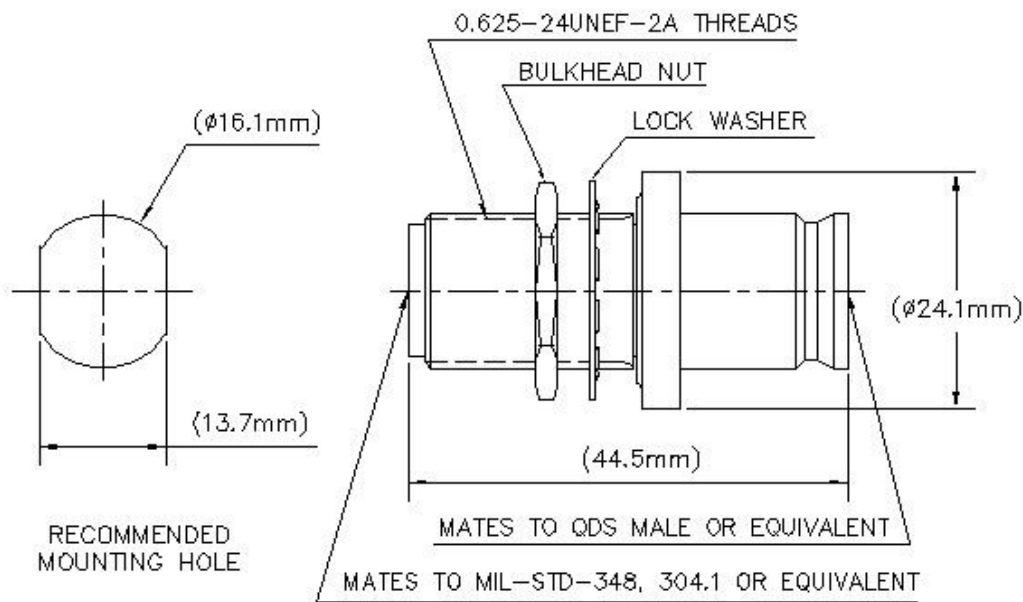
**Outer Contact Resistance, maximum** 3.00 mOhm

**Inner Contact Resistance, maximum** 6.00 mOhm

**Insulation Resistance, minimum** 5000 MOhm

**Peak Power, maximum** 10.00 kW

## Outline Drawing



## Mechanical Specifications

<b>Interface Durability</b>	500 cycles
<b>Interface Durability Method</b>	IEC 61169-16:9.5
<b>Pressurizable</b>	No

## Dimensions

<b>Weight</b>	82.00 g   0.18 lb
---------------	-------------------

## Environmental Specifications

<b>Operating Temperature</b>	-55 °C to +85 °C (-67 °F to +185 °F)
<b>Storage Temperature</b>	-65 °C to +125 °C (-85 °F to +257 °F)
<b>Mechanical Shock Test Method</b>	IEC 60068-2-27
<b>Climatic Sequence Test Method</b>	IEC 60068-1
<b>Damp Heat Steady State Test Method</b>	IEC 60068-2-3
<b>Thermal Shock Test Method</b>	IEC 60068-2-14
<b>Vibration Test Method</b>	IEC 60068-2-6
<b>Corrosion Test Method</b>	IEC 60068-2-11

# CA-QDFBNF

---

## Standard Conditions

<b>Attenuation, Ambient Temperature</b>	20 °C   68 °F
<b>Average Power, Ambient Temperature</b>	40 °C   104 °F
<b>Average Power, Inner Conductor Temperature</b>	100 °C   212 °F

## Return Loss/VSWR

<b>Frequency Band</b>	<b>VSWR</b>	<b>Return Loss (dB)</b>
0–3000 MHz	1.07	30.00
3000–6000 MHz	1.22	20.00

## Regulatory Compliance/Certifications

### Agency

RoHS 2011/65/EU  
ISO 9001:2015  
China RoHS SJ/T 11364-2014

### Classification

Compliant by Exemption  
Designed, manufactured and/or distributed under this quality management system  
Above Maximum Concentration Value (MCV)

