

# TA-DMHM-K

---



7-16 DIN Male to 4.3-10 Male (Hand torque) Low-PIM Adapter

## Product Classification

**Product Type** Adapter

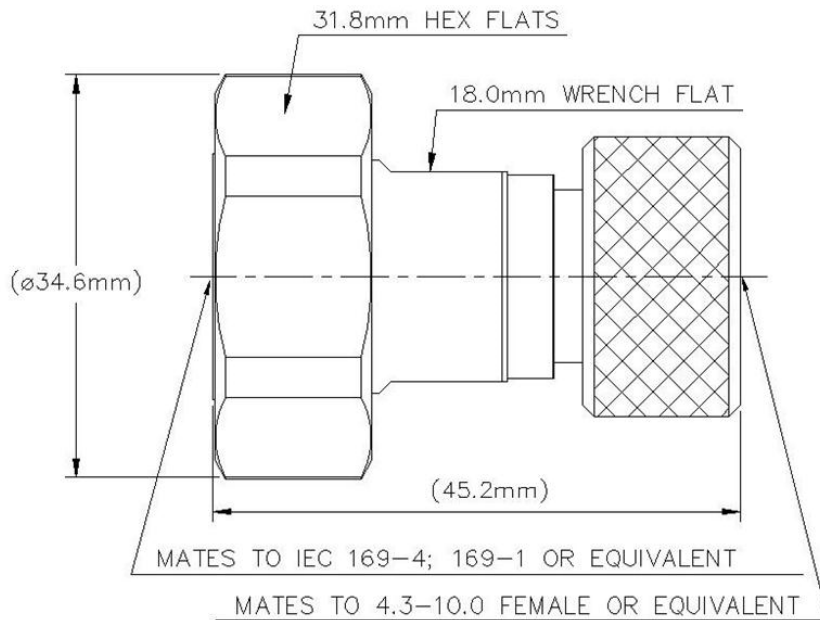
## General Specifications

**Interface** 7-16 DIN Male  
**Interface 2** 4.3-10 Male  
**Body Style** Straight  
**Mounting Angle** Straight

## Electrical Specifications

**Connector Impedance** 50 ohm  
**Operating Frequency Band** 0 – 6000 MHz  
**Cable Impedance** 50 ohm  
**3rd Order IMD, typical** -163 dBc @ 1800 MHz  
**3rd Order IMD Test Method** Two +43 dBm carriers  
**dc Test Voltage** 2500 V  
**Outer Contact Resistance, maximum** 1.00 mOhm  
**Inner Contact Resistance, maximum** 1.00 mOhm  
**Insulation Resistance, minimum** 5000 MOhm

## Outline Drawing



## Mechanical Specifications

<b>Coupling Nut Proof Torque, Interface 2</b>	7.00 N-m   5.16 ft lb
<b>Coupling Nut Retention Force</b>	1000.00 N   224.81 lbf
<b>Coupling Nut Retention Force Method</b>	IEC 61169-4:9.3.11
<b>Coupling Nut Retention Force, Interface 2</b>	450.00 N   101.16 lbf
<b>Inner Contact Plating</b>	Silver
<b>Interface Durability</b>	100 cycles
<b>Outer Contact Plating</b>	Trimetal

## Dimensions

<b>Diameter</b>	34.60 mm   1.36 in
<b>Length</b>	45.00 mm   1.77 in
<b>Weight</b>	104.64 g   0.23 lb

## Environmental Specifications

# TA-DMHM-K

---

<b>Operating Temperature</b>	-55 °C to +85 °C (-67 °F to +185 °F)
<b>Storage Temperature</b>	-65 °C to +125 °C (-85 °F to +257 °F)
<b>Mechanical Shock Test Method</b>	IEC 60068-2-27
<b>Climatic Sequence Test Method</b>	IEC 60068-1
<b>Damp Heat Steady State Test Method</b>	IEC 60068-2-3
<b>Thermal Shock Test Method</b>	IEC 60068-2-14
<b>Vibration Test Method</b>	IEC 60068-2-6
<b>Corrosion Test Method</b>	IEC 60068-2-11

## Standard Conditions

<b>Attenuation, Ambient Temperature</b>	20 °C   68 °F
<b>Average Power, Ambient Temperature</b>	40 °C   104 °F
<b>Average Power, Inner Conductor Temperature</b>	100 °C   212 °F

## Return Loss/VSWR

<b>Frequency Band</b>	<b>VSWR</b>	<b>Return Loss (dB)</b>
0–4000 MHz	1.05	32.00
4000–6000 MHz	1.08	28.00

## Regulatory Compliance/Certifications

### Agency

RoHS 2011/65/EU  
ISO 9001:2015  
China RoHS SJ/T 11364-2014

### Classification

Compliant by Exemption  
Designed, manufactured and/or distributed under this quality management system  
Above Maximum Concentration Value (MCV)

