

QN Female Bulkhead

Product Classification

Product Type Device connector

General Specifications

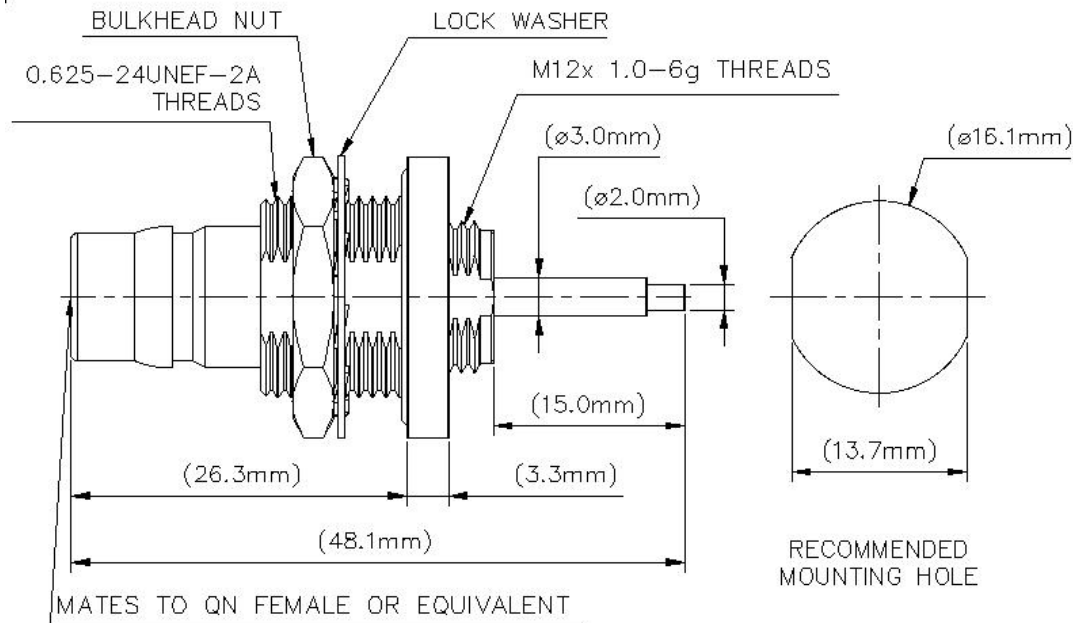
Interface QN Female

Body Style Bulkhead

Electrical Specifications

Connector Impedance	50 ohm
Operating Frequency Band	0 – 6000 MHz
RF Operating Voltage, maximum (vrms)	707.00 V
dc Test Voltage	2500 V
Outer Contact Resistance, maximum	1.50 mOhm
Inner Contact Resistance, maximum	1.50 mOhm
Insulation Resistance, minimum	5000 mOhm
Peak Power, maximum	10.00 kW

Outline Drawing



Mechanical Specifications

Inner Contact Attachment Method	Solder
Inner Contact Plating	Gold
Interface Durability	100 cycles
Interface Durability Method	IEC 61169-16:9.5
Outer Contact Plating	Trimetal

Dimensions

Diameter	22.10 mm 0.87 in
Length	48.10 mm 1.89 in
Weight	35.45 g 0.08 lb
Width	22.10 mm 0.87 in

Environmental Specifications

Operating Temperature	-55 °C to +85 °C (-67 °F to +185 °F)
------------------------------	--------------------------------------

Storage Temperature	-65 °C to +125 °C (-85 °F to +257 °F)
Mechanical Shock Test Method	IEC 60068-2-27
Climatic Sequence Test Method	IEC 60068-1
Damp Heat Steady State Test Method	IEC 60068-2-3
Thermal Shock Test Method	IEC 60068-2-14
Vibration Test Method	IEC 60068-2-6
Corrosion Test Method	IEC 60068-2-11

Standard Conditions

Attenuation, Ambient Temperature	20 °C 68 °F
Average Power, Ambient Temperature	40 °C 104 °F
Average Power, Inner Conductor Temperature	100 °C 212 °F

Return Loss/VSWR

Frequency Band	VSWR	Return Loss (dB)
0–6000 MHz	1.2	20.83

Regulatory Compliance/Certifications

Agency

RoHS 2011/65/EU
China RoHS SJ/T 11364-2014

Classification

Compliant by Exemption
Above Maximum Concentration Value (MCV)

