

QMA Bulkhead Female for 0.085 in CF085-50 cable

## Product Classification

**Product Type** Wireless and radiating connector

## General Specifications

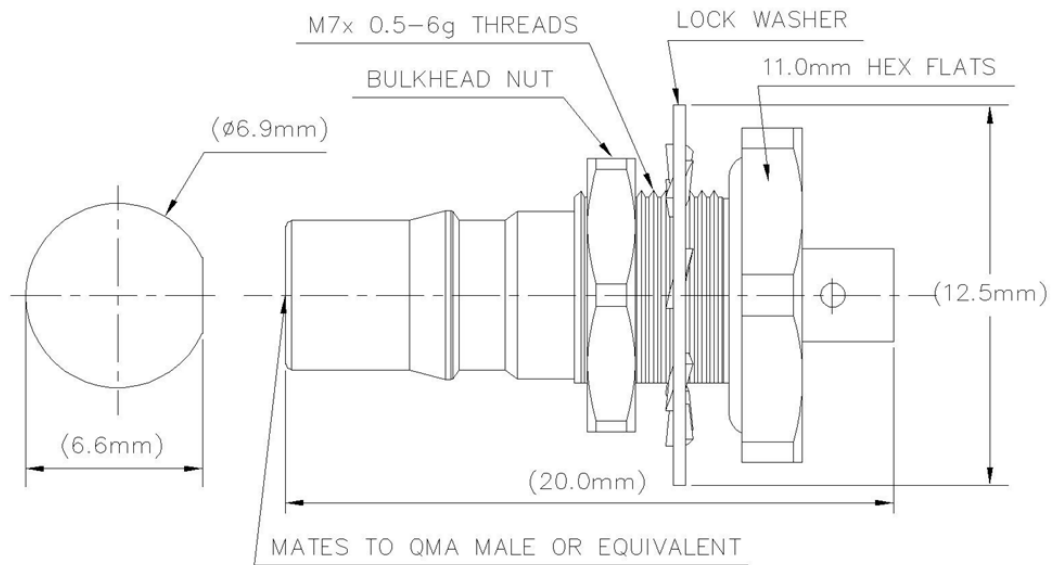
**Interface** QMA Female

**Body Style** Bulkhead

## Electrical Specifications

<b>Connector Impedance</b>	50 ohm
<b>Operating Frequency Band</b>	0 – 6000 MHz
<b>Cable Impedance</b>	50 ohm
<b>3rd Order IMD, typical</b>	-110 dBc @ 1800 MHz
<b>3rd Order IMD Test Method</b>	Two +43 dBm carriers
<b>RF Operating Voltage, maximum (vrms)</b>	500.00 V
<b>dc Test Voltage</b>	1000 V
<b>Outer Contact Resistance, maximum</b>	2.50 mOhm
<b>Inner Contact Resistance, maximum</b>	3.00 mOhm
<b>Insulation Resistance, minimum</b>	5000 MOhm
<b>Peak Power, maximum</b>	0.21 kW

## Outline Drawing



## Mechanical Specifications

<b>Outer Contact Attachment Method</b>	Solder
<b>Inner Contact Attachment Method</b>	Solder
<b>Outer Contact Plating</b>	Trimetal
<b>Inner Contact Plating</b>	Gold
<b>Interface Durability</b>	100 cycles
<b>Interface Durability Method</b>	IEC 61169-15:9.5

## Dimensions

<b>Diameter</b>	12.00 mm   0.47 in
<b>Length</b>	20.00 mm   0.79 in
<b>Weight</b>	4.07 g   0.01 lb
<b>Width</b>	12.00 mm   0.47 in

## Environmental Specifications

<b>Operating Temperature</b>	-55 °C to +85 °C (-67 °F to +185 °F)
<b>Storage Temperature</b>	-65 °C to +125 °C (-85 °F to +257 °F)
<b>Moisture Resistance Test Method</b>	IEC 60068-2-3
<b>Mechanical Shock Test Method</b>	IEC 60068-2-27
<b>Thermal Shock Test Method</b>	IEC 60068-2-14
<b>Vibration Test Method</b>	IEC 60068-2-6
<b>Corrosion Test Method</b>	IEC 60068-2-11

## Standard Conditions

<b>Attenuation, Ambient Temperature</b>	20 °C   68 °F
<b>Average Power, Ambient Temperature</b>	40 °C   104 °F
<b>Average Power, Inner Conductor Temperature</b>	100 °C   212 °F

## Return Loss/VSWR

Frequency Band	VSWR	Return Loss (dB)
0–3000 MHz	1.07	30.00
3000–6000 MHz	1.15	23.00

## Regulatory Compliance/Certifications

Agency	Classification
RoHS 2011/65/EU	Compliant by Exemption
China RoHS SJ/T 11364-2006	Above Maximum Concentration Value (MCV)
ISO 9001:2015	Designed, manufactured and/or distributed under this quality management system

