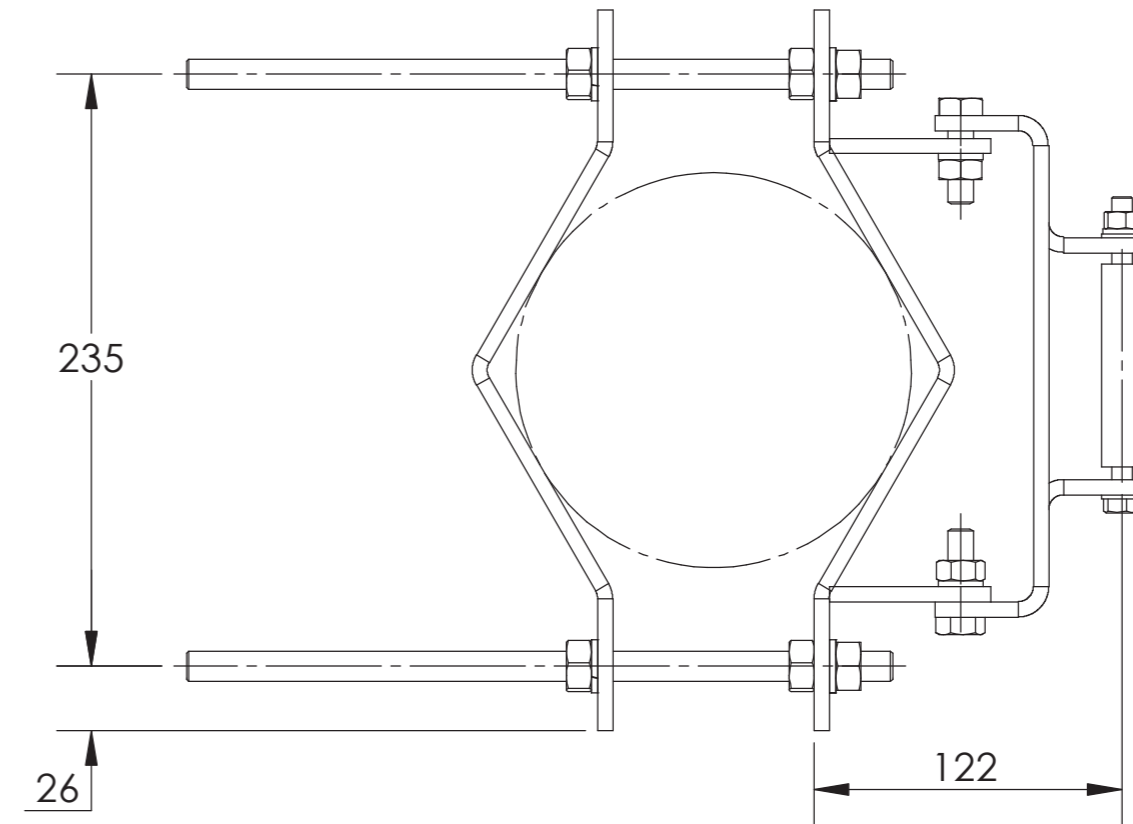
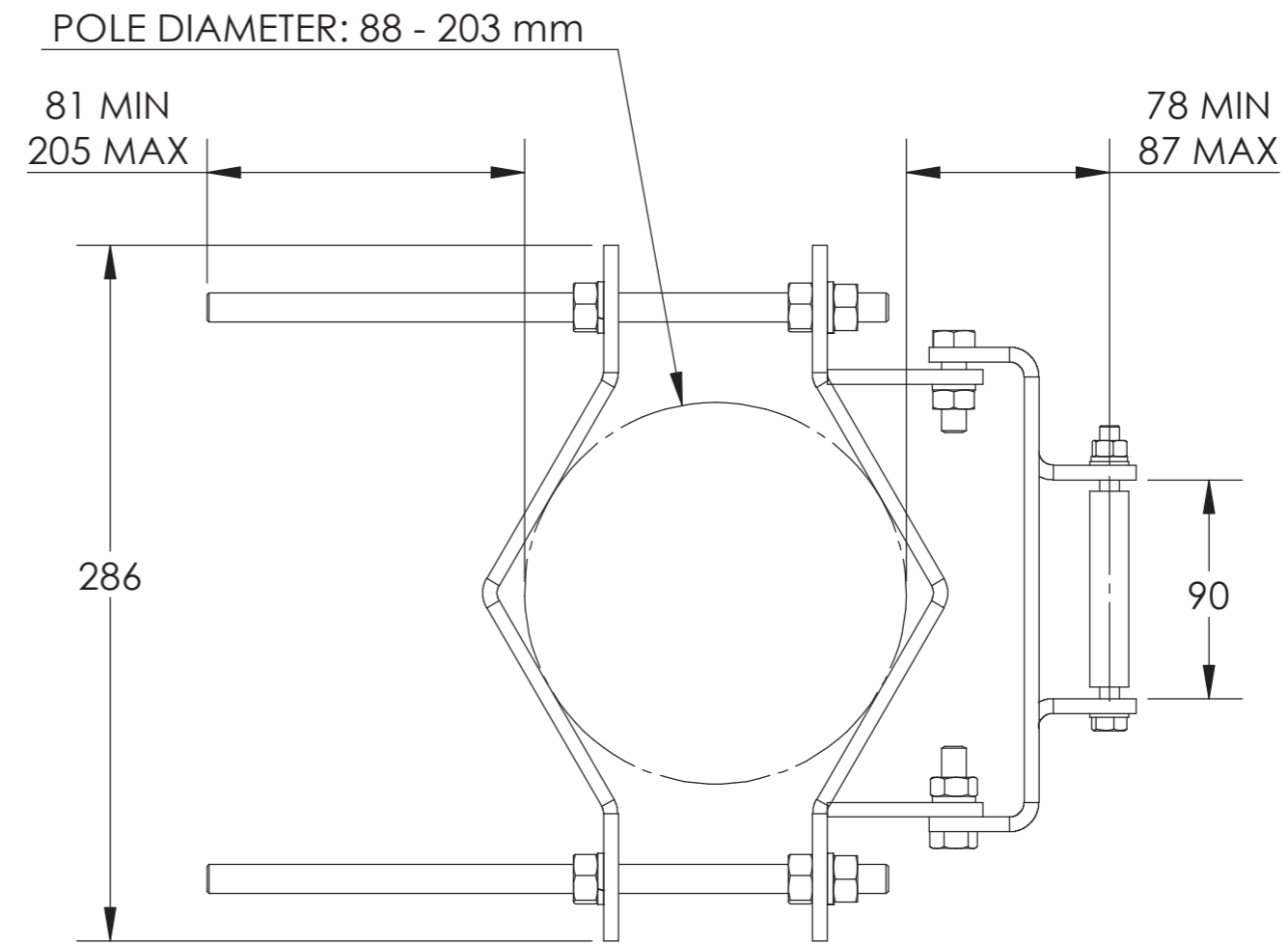
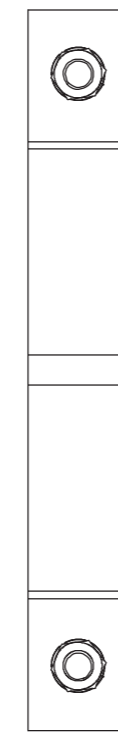
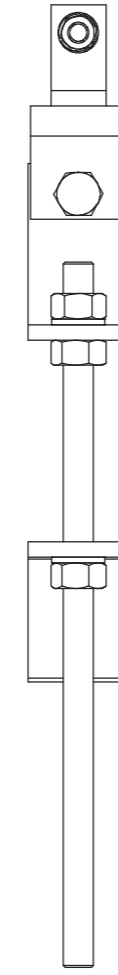
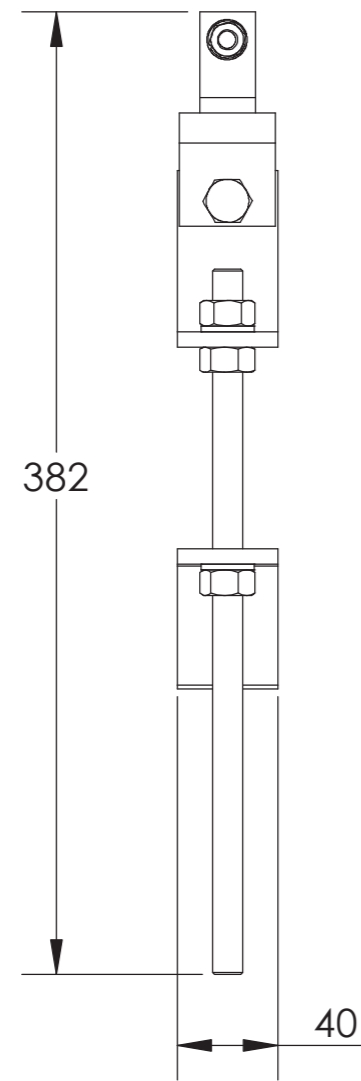




NOTES:

REVISIONS			
REV	DESCRIPTION	DATE	APPROVED
A	ECR 800003574: REL TO PRODUCTION PER 601665	14AUG14	JJH
C	ECR 8000010306: ADD DIMENSIONS.	21OCT15 ZHC	S.LIU/JIHE



# DB380-9-ADFD1820

MATERIAL N/A	DENSITY: N/A MASS: 1.20 kg	UNLESS OTHERWISE SPECIFIED DIMENSIONS ARE IN MILLIMETERS INTERPRET PER ISO STANDARDS HANDBOOK TECHNICAL DRAWINGS VOLUMES 1 & 2, THIRD EDITION (2002)	 WESTCHESTER, IL. 60154 U.S.A.	
FINISH N/A	TOLERANCES	THIRD ANGLE PROJECTION	MOUNTING CLAMP KIT, 3-9" OD FOR ADFD1	
	0 PLACE X ± 1 PLACE .X ± 2 PLACE .XX ± ANGLES ±	 DRAWN BY ECN 8000010306-O	SIZE <b>A2 84147</b>	DOCUMENT NO. DB380-9-ADFD1820-L
ALL SURFACES ✓		AUTH. GROUP 23	MODEL	DRAWING
NOTICE: These drawings and specifications are the proprietary property of ANDREW CORPORATION and may be used only for the specific purpose authorized in writing by Andrew.		VERSION 01	STATUS RE	REVISION B
		VERSION 02	STATUS RE	REVISION C
		SHEET 1 OF 1		