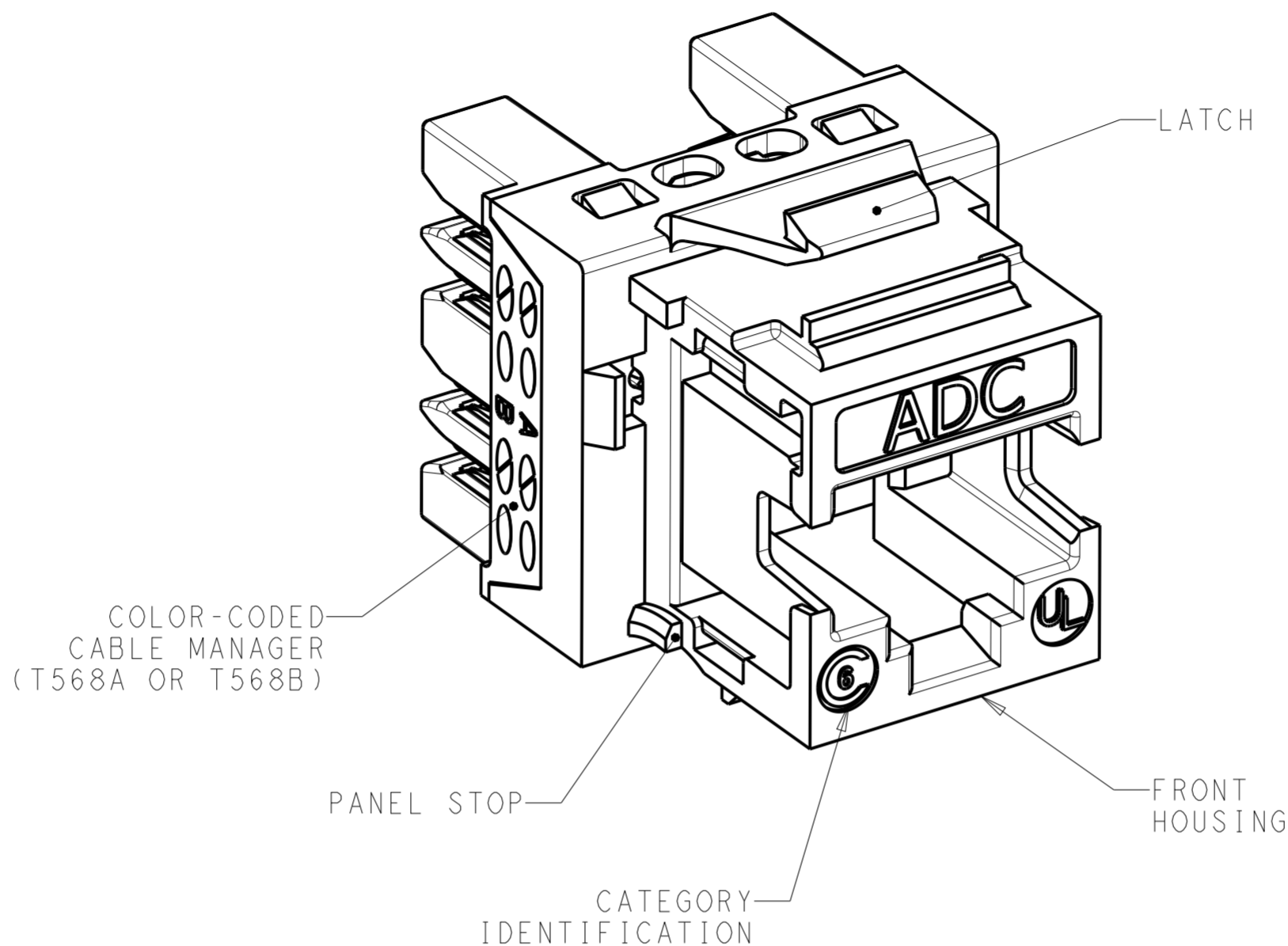
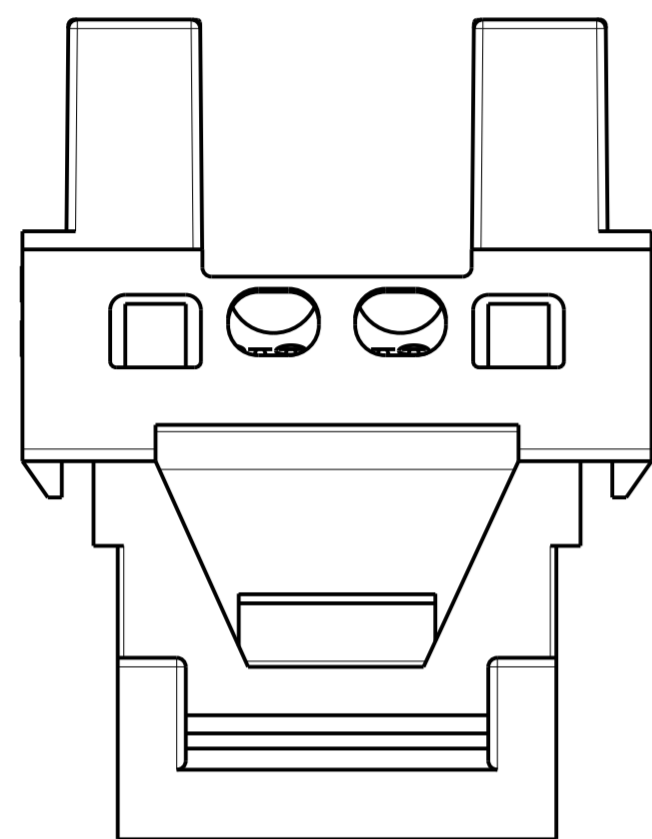


THIS DRAWING IS UNPUBLISHED. RELEASED FOR PUBLICATION 20  
 © 2016 COMMSCOPE INC. CONFIDENTIAL NOTICE: THESE DRAWINGS AND SPECIFICATIONS ARE THE PROPRIETARY PROPERTY OF COMMSCOPE, INC. AND MAY BE USED ONLY FOR THE SPECIFIC PURPOSE AUTHORIZED IN WRITING BY COMMSCOPE, INC.

REVISIONS					
P	LTR	DESCRIPTION	DATE	DWN	APVD
C	1	REV; ECO-15-005640	12MAR2015	GG	SJ
D		REV PER BNS_CD_BRAND	10MAR2017	GG	DC



1 MATERIAL:  
 JACK HOUSING: POLYCARBONATE.  
 FRONT PLUG CONTACTS:  
 BASE: BERYLLIUM COPPER.  
 FINISH: 1.27µm [50µ"] MINIMUM THICK  
 PRECIOUS METAL OVER 2.5µm [100µ"]  
 MINIMUM THICK NICKEL UNDERPLATE IN THE  
 PLUG CONTACT AREA.  
 REAR IDC TERMINALS:  
 BASE: COPPER ALLOY.  
 FINISH: 3µm [118µ"] MINIMUM THICK MATTE  
 TIN OVER 1µm [39µ"] MINIMUM THICK NICKEL  
 UNDERPLATE IN THE WIRE INTERFACE AREA.

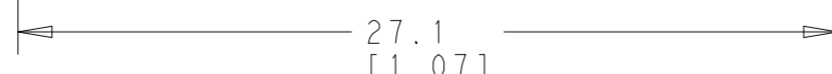
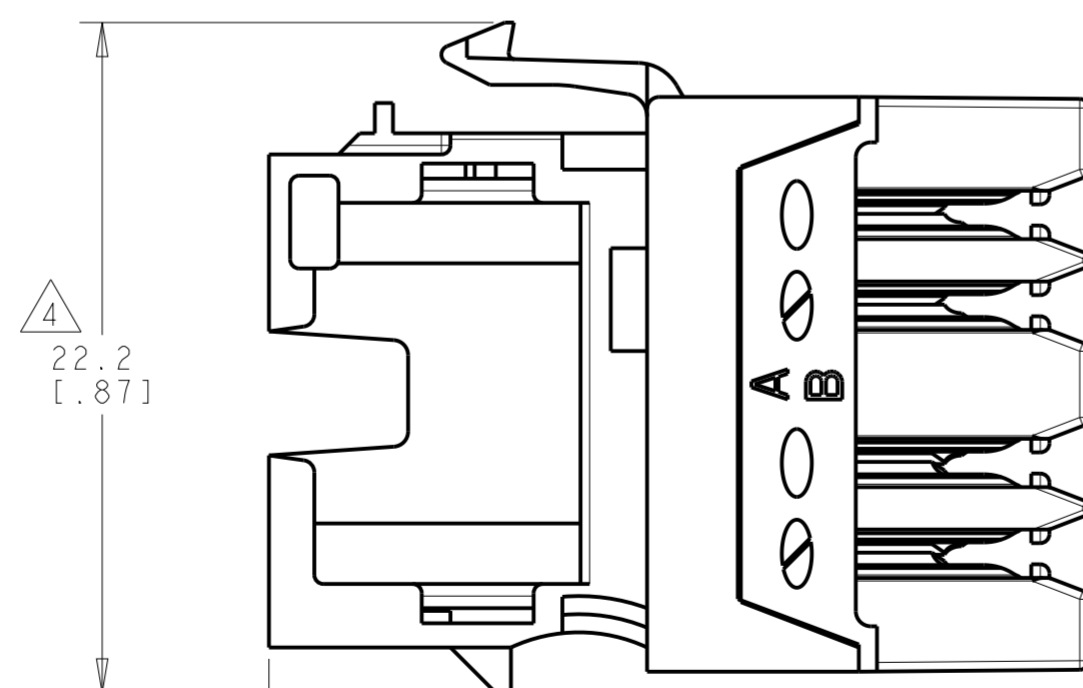
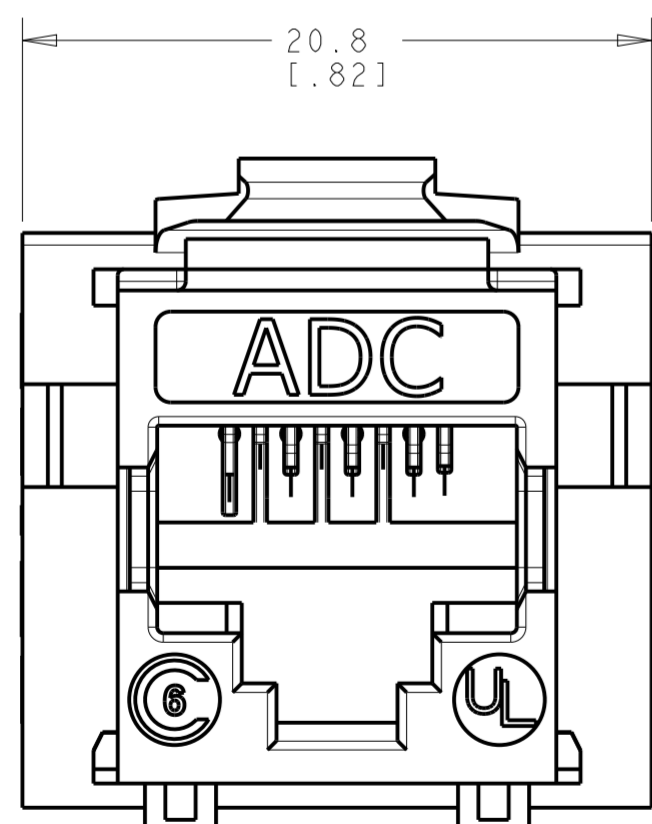
2 ALL DIMENSIONS ARE NOMINAL UNLESS OTHERWISE SPECIFIED.

3 GENERAL SPECIFICATIONS:  
 TRANSMISSION PERFORMANCE AND RELIABILITY:  
 TIA-568-C.2, CATEGORY 6 AND  
 ISO/IEC 11801, CLASS E.  
 MECHANICAL/ELECTRICAL PERFORMANCE PER  
 IEC 60603-7 AND IEC 60603-7-4.  
 SAFETY LISTING AND FLAMMABILITY RATING PER  
 UL 1863 AND UL 94 V-0.

4 FITS STANDARD KEYSTONE TYPE A, VARIANT 03  
 PANEL OPENINGS OF SIZE:  
 19.31-19.60 [.760-.772] LATCH HEIGHT,  
 14.78-15.04 [.581-.592] HOUSING WIDTH,  
 1.22-1.54 [.048-.061] PANEL THICKNESS.

5. IDC TERMINATION WIRE RANGE:  
 22-24 AWG SOLID OR STRANDED CONDUCTORS,  
 0.50-0.65 [.020-.026] WITH INSULATION  
 DIAMETER RANGE 1.04-1.60 [.041-.063].

6 TERMINATION PER EITHER KRONE TOOL OR  
 STANDARD 110 PUNCHDOWN TOOL.



PACKAGING	HOUSING COLOR	CATALOG NUMBER
BAG OF 1	ORANGE	6830 1 830-10
	PURPLE	6830 1 830-09
	YELLOW	6830 1 830-08
	GREEN	6830 1 830-07
	BLUE	6830 1 830-06
	RED	6830 1 830-05
	BLACK	6830 1 830-04
	GRAY	6830 1 830-03
	IVORY	6830 1 830-02
	WHITE	6830 1 830-01

THIS DRAWING IS A CONTROLLED DOCUMENT.		DWN G. GARRETT 18FEB2015	<b>COMMSCOPE, INC.</b>	
DIMENSIONS: MM [INCHES]		CHK S. JONES 18FEB2015		
TOLERANCES UNLESS OTHERWISE SPECIFIED: 0 PLC ± 1 PLC ± 2 PLC ± 3 PLC ± 4 PLC ± ANGLES ± FINISH ±		APVD S. JONES 18FEB2015		
MATERIAL		PRODUCT SPEC	NAME KM8 JACK ASSEMBLY PUNCHDOWN UTP, CAT 6	
1		1	SIZE A2	CAGE CODE -
Customer Drawing		APPLIC. SPEC	DRAWING NO. G-1356047_ADC	RESTRICTED TO -
		WEIGHT	SCALE 4:1	SHEET 1 OF 1
			REV D	