

2. Remove the knockouts for the round entry cable as required by the application.

3. Position the wall box on the wall so that it is parallel to the floor and the “UP” arrow is pointing away from the floor. The wall box should be approximately 2.54 mm [.100 in.] above the

baseboard height to allow clearance for installing the cover. Secure the wall box to the wall using four screws (customer-supplied). Refer to Figure 2.

i **NOTE**
DO NOT attach the baseboard until the cable is installed. Use the baseboard to conceal the cable.

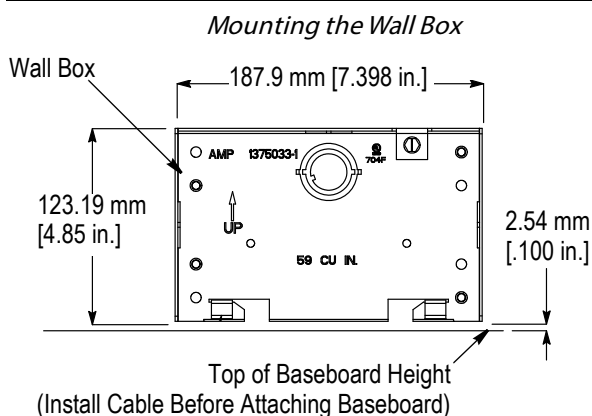


Figure 2

3.2. Cable

A. Undercarpet Power Cable

Install the vinyl floor preparation (for slab-on-grade application), power cable, power transition block, and top shield according to the instructions included with the product. Use the bonding clips to attach the top shield to the wall box. Refer to Figure 3.

i **NOTE**
Instruction sheet included with product is:
408-3154 — Vinyl Floor Preparation and Undercarpet Power Cable
408-3176 — Power Transition Block Assembly
408-3150 — Top Shield and Bonding Clips

3.3. Undercarpet Communications Cable

Install the universal communications transition block and communications cable according to the instructions included with the product. The bonding clips are not required to be used. Refer to Figure 4.

i **NOTE**
Instruction sheet included with product is:
408-3368 — Universal Communications Transition Block (for Use with Category 5e and Category 6)
408-3194 — Undercarpet Communications Cable

3.4. Cover (Refer to Figure 1)

1. Orient the cover so that the “UP” arrow (located on the inside of the cover) is pointing toward the top of the wall box.

Undercarpet Power Cable Application

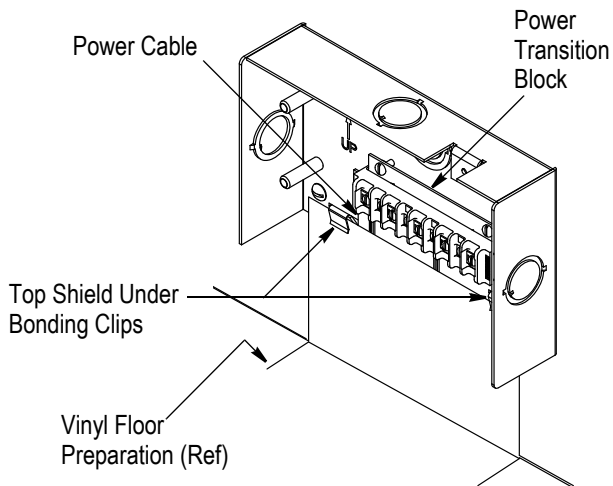


Figure 3

Undercarpet Communications Cable Application

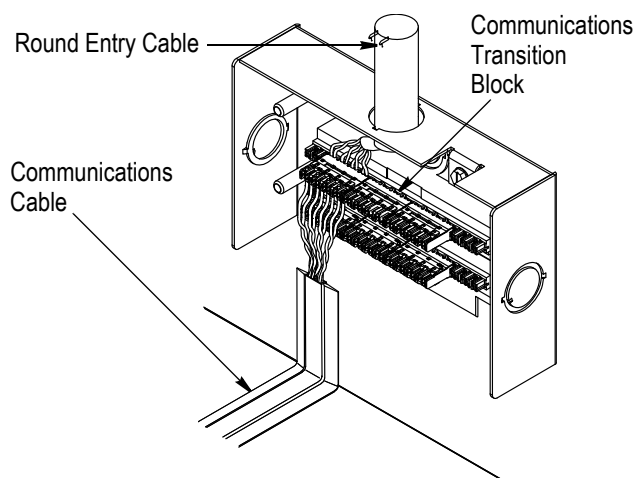


Figure 4

2. Using the four cover mounting screws, attach the cover to the wall box.

4. REPLACEMENT AND REPAIR

Wall transition box kit components are not repairable. DO NOT use any defective or damaged components.

5. REVISION SUMMARY

Revisions to this instruction sheet include:

- Add French translation for 'Danger' text.