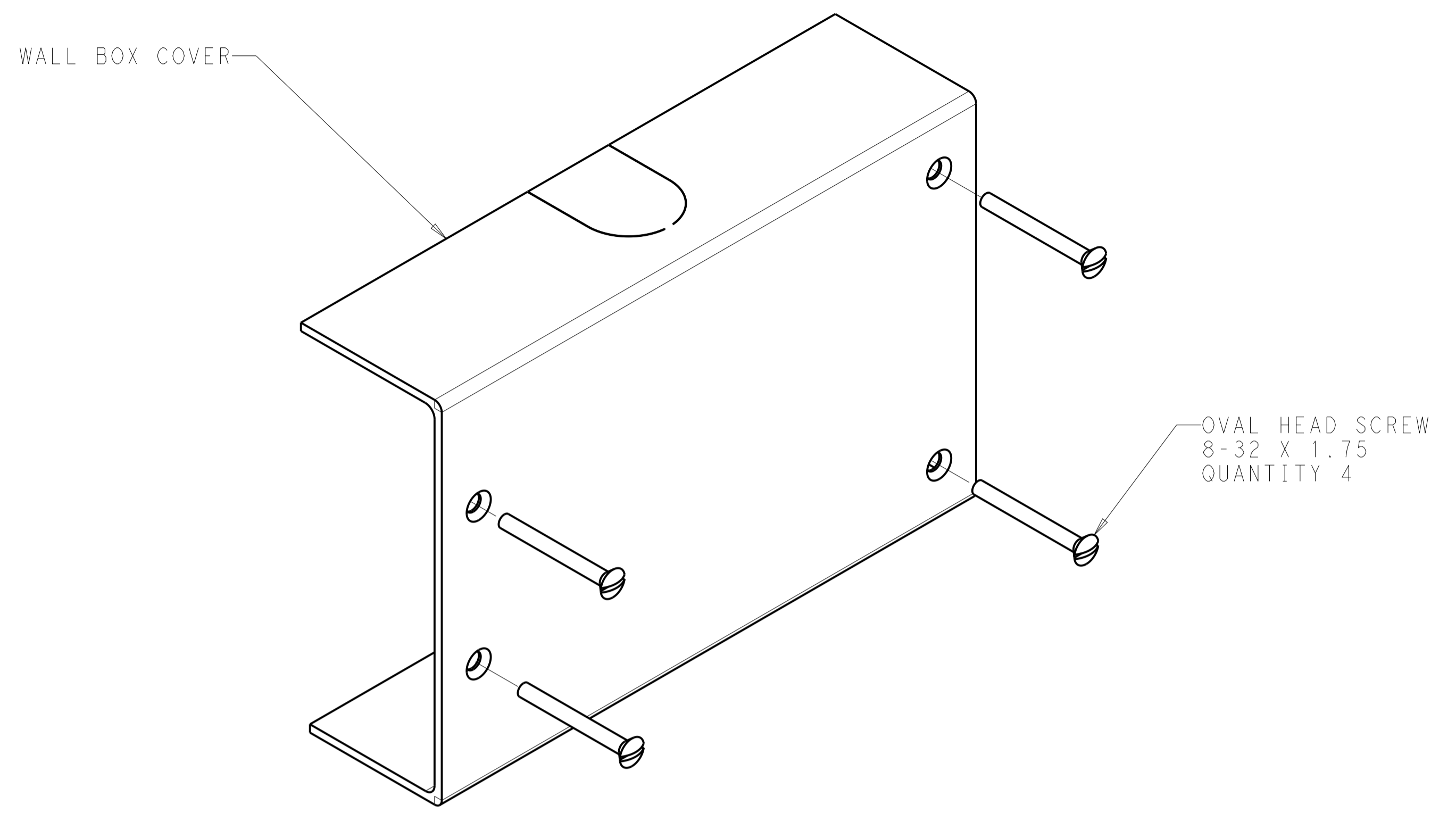
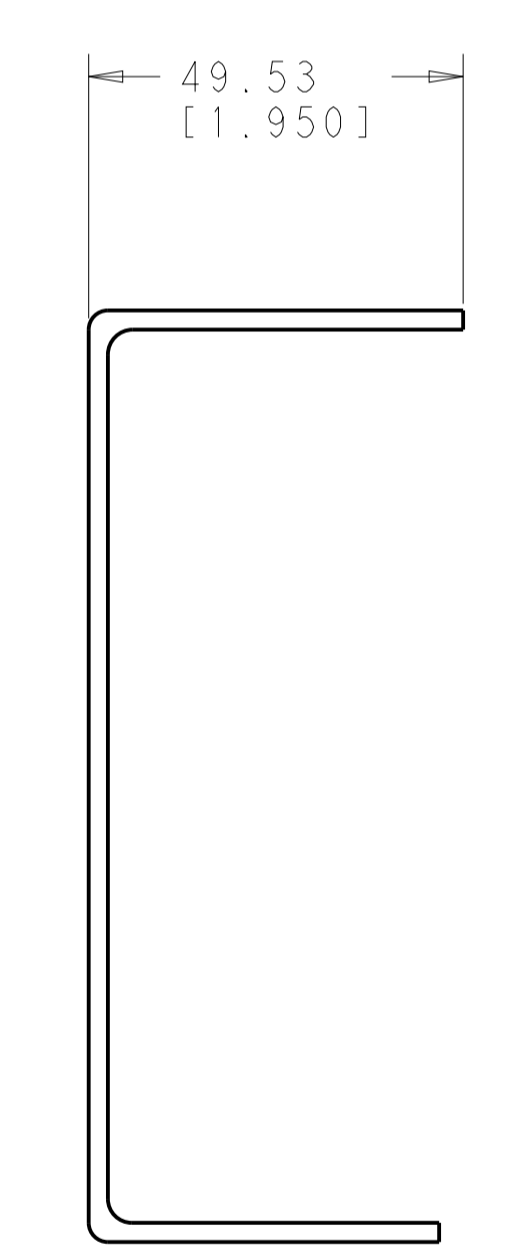
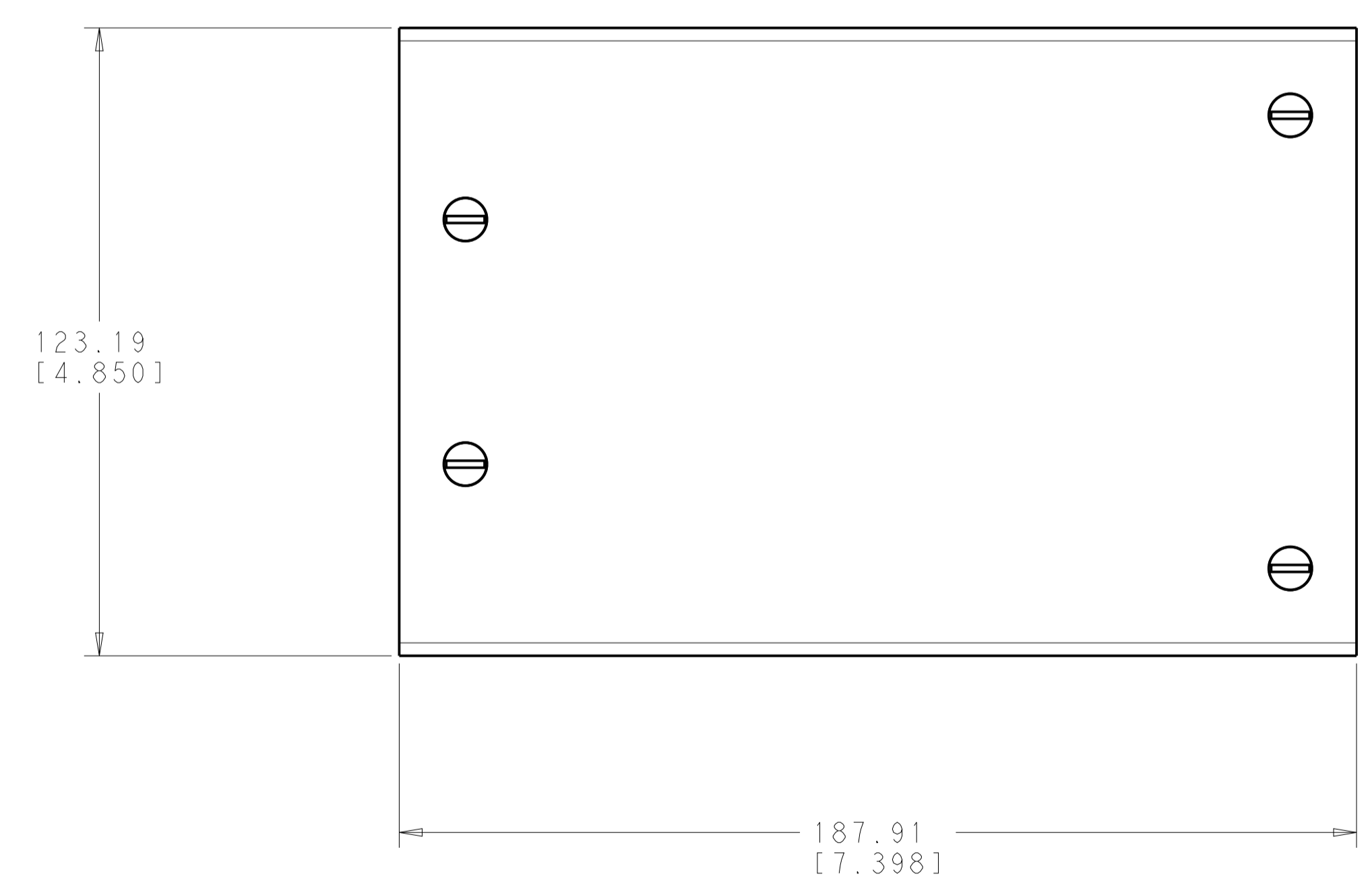


REVISIONS				
P.	LTN	DESCRIPTION	DATE	APV'D
A		RLSD; ECO-09-024557	18NOV2009	GG SJ
B		REV PER ECN 8000018168	18JAN2017	GG SA



- ⚠ MATERIAL:
COVER: POWDER-COATED ALUMINUM.
HARDWARE: ZINC PLATED CARBON STEEL.
- ⚠ ALL DIMENSIONS SHOWN ARE NOMINAL.
- 3. APPLICATION: USE WITH UNDERCARPET CABLING SYSTEM SURFACE MOUNT WALL BOX PN 1375033-1.



GRAY	1375034-3
BLACK	1375034-1
COLOR	PART NUMBER

THIS DRAWING IS A CONTROLLED DOCUMENT.		DWN G. GARRETT 18NOV2009	COMMSCOPE, INC.	
DIMENSIONS: mm [INCHES]		CHK S. JONES 18NOV2009	NAME COVER, WALL BOX, SURFACE MOUNT, UC	
TOLERANCES UNLESS OTHERWISE SPECIFIED:		APV'D S. JONES 18NOV2009	RESTRICTED TO	
0 PLC ±	1 PLC ±	PRODUCT SPEC	SIZE A1	CAGE CODE 1375034
2 PLC ±	3 PLC ±	APPLICATION SPEC	SCALE 3:2	SHEET 1 OF 1
4 PLC ±	ANGLES ±	WEIGHT	REV B	
MATERIAL	FINISH	CUSTOMER DRAWING		