

Type 31766A

Revision A

## Hanger Kits

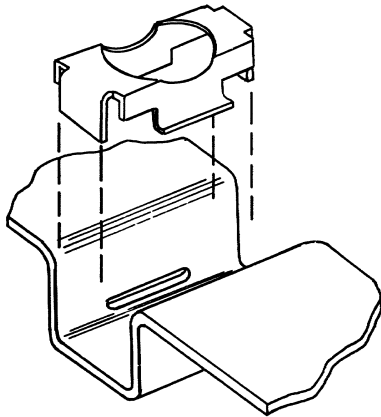
for HELIAX® Elliptical Waveguide and Coaxial Cable



**NOTE: The hanger can accommodate waveguide twisting over long lengths.**

**Recommended hanger spacing**  
 Wind speed: 125 mph (200 km/h)  
 Radial ice: 1/2" (13 mm)

Add support bracket 42241 (see list)

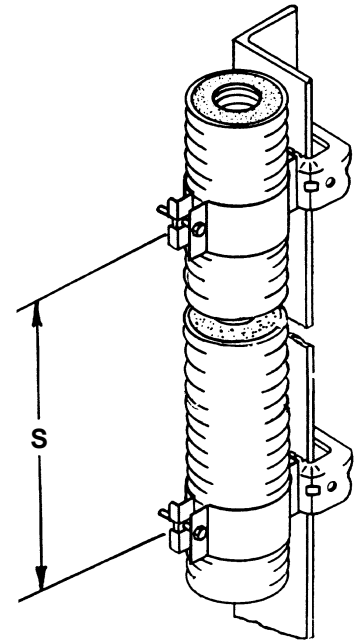


Kit	Waveguide	Spacing (S)
31766A-9	EW/EWP17	4 ft (1.2 m)
31766A-10	EW20	4 ft (1.2 m)
31766A-11	EW28	4 ft (1.2 m)
31766A-13	EW/EWP132	4 ft (1.2 m)

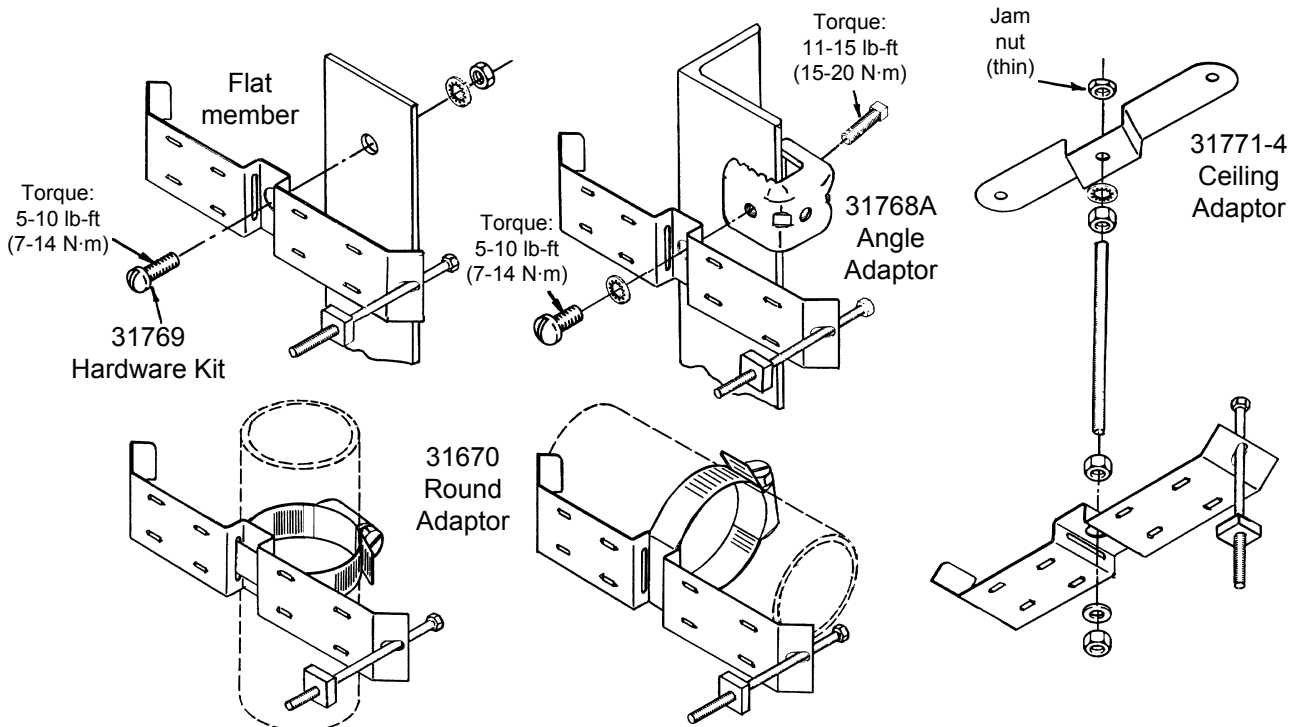
  

Kit	Cable	Spacing (S)
31766A-11	HJ8	6 ft (1.8 m)
31766A-10	HJ11	6 ft (1.8 m)
33598-5	HJ9	6 ft (1.8 m)

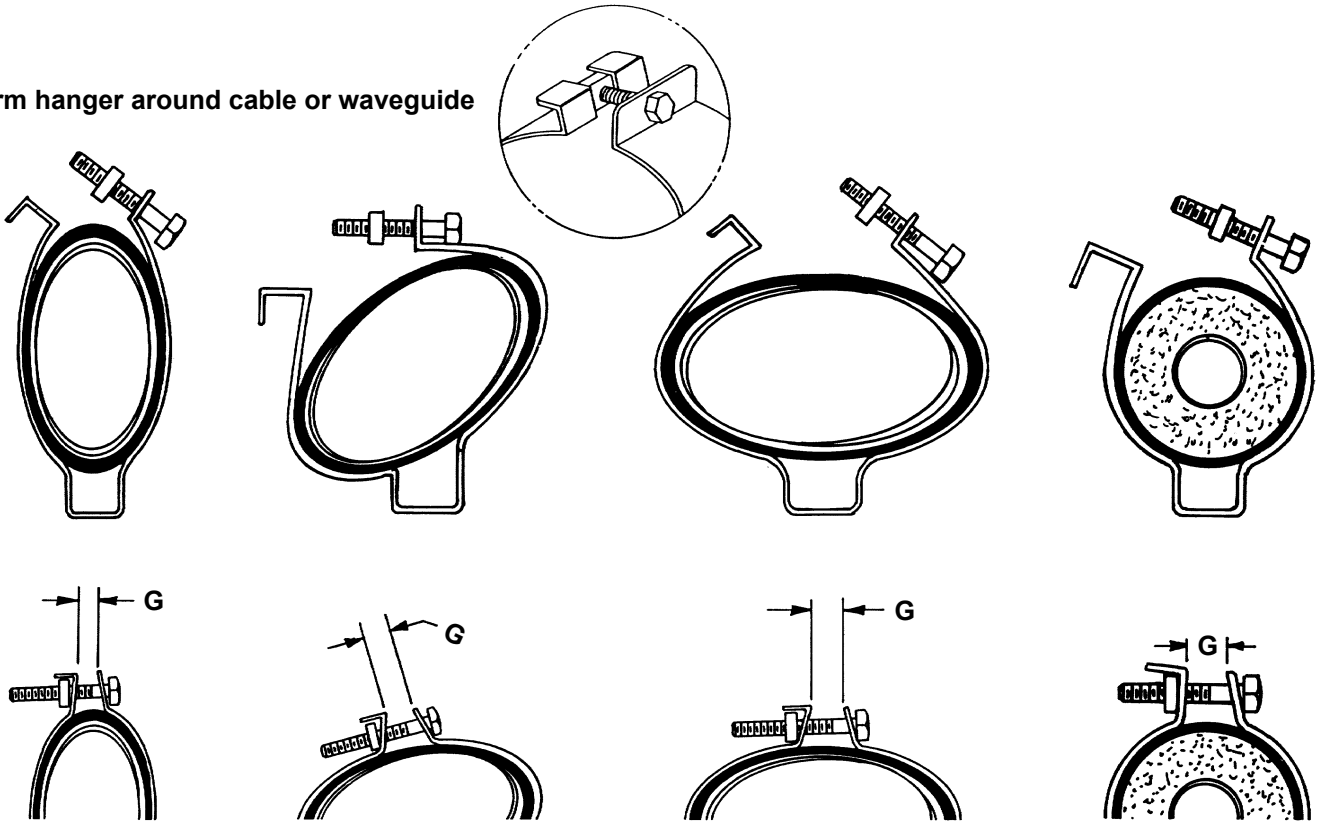
\*Includes support bracket 42241



### Attach hangers to support structure



Form hanger around cable or waveguide



Squeeze locking tabs together, slip nut under opposite tab, and tighten bolt until gap  $G$  is  $5/16$ " (8 mm)

---

#### Notice

The installation, maintenance, or removal of antenna systems requires qualified, experienced personnel. Andrew installation instructions are written for such personnel. Antenna systems should be inspected once a year by qualified personnel to verify proper installation, maintenance, and condition of equipment.

Andrew disclaims any liability or responsibility for the results of improper or unsafe installation practices.

---



**Andrew Corporation**  
10500 West 153rd Street  
Orland Park, IL U.S.A. 60462

Telephone: 708-349-3300  
FAX (U.S.A.): 1-800/349-5444  
Internet: <http://www.andrew.com>

Customer Service, 24 hours: U.S.A. • Canada • Mexico: 1-800/255-1479  
U.K.: 0800 250055 • Republic of Ireland: 1 800 535358  
Other Europe: +44 1592 782612

Printed in U.S.A. 4/97  
Copyright © 1997 by Andrew Corporation