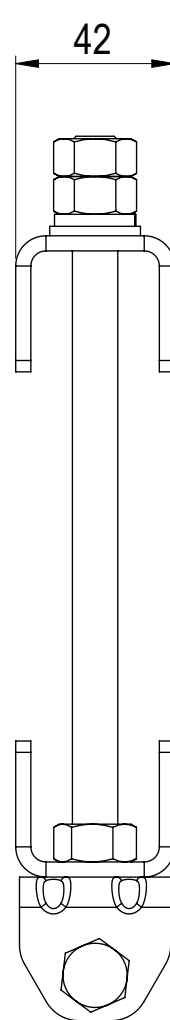
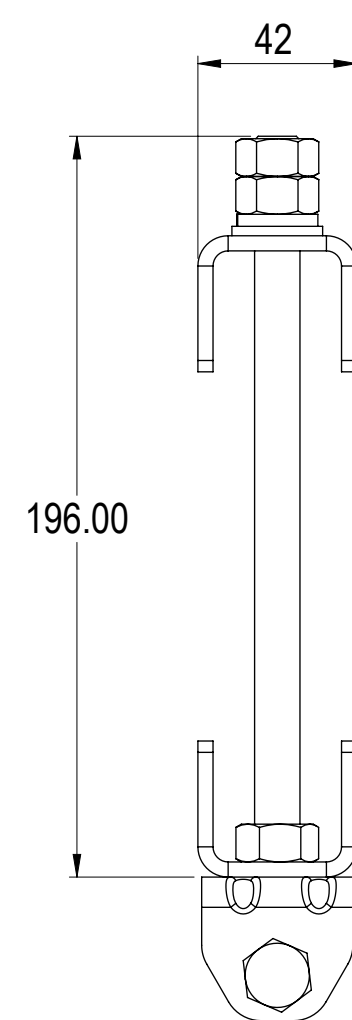
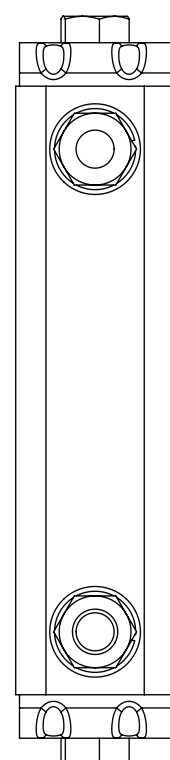
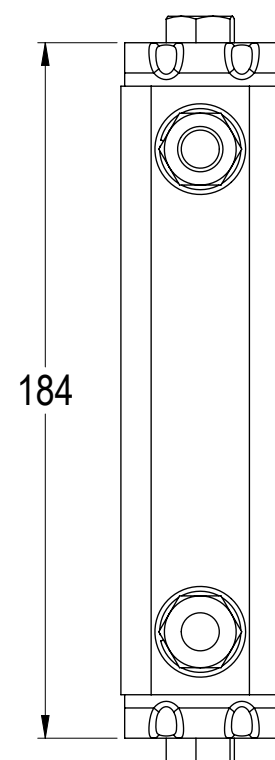
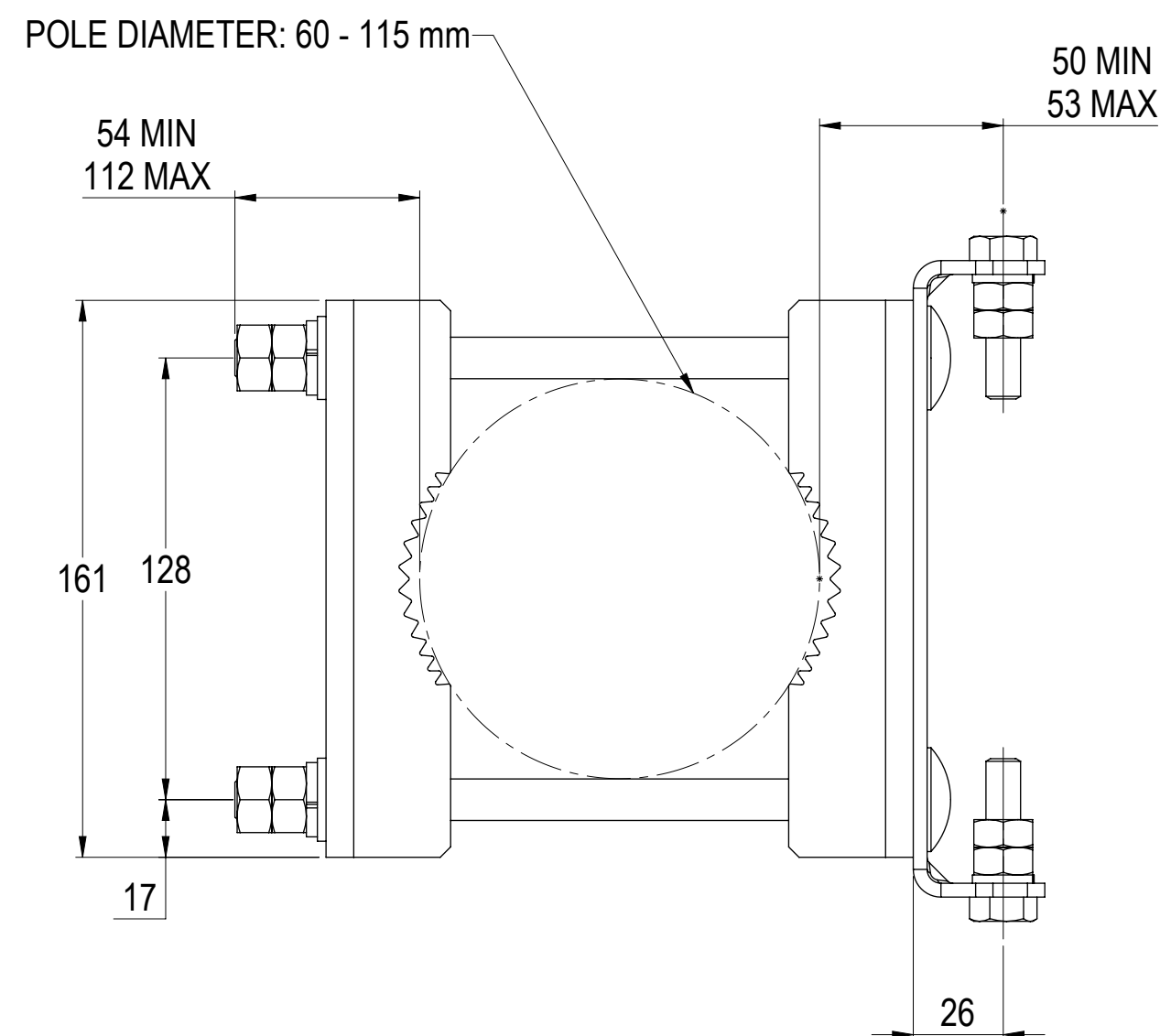



REVISIONS			
REV.	DESCRIPTION	DATE	APPROVED
A	ECR 8000026173: RELEASE TO PRODUCTION.	14SEP17 LS	S.LIU/JIHE
B	ECR 8000026769: CHG 100936-21 TO 100936-33.	27OCT17 HWW	S.LIU/JIHE



BSAMNT-F

COMMSCOPE, INC. OF NORTH CAROLINA																							
TOLERANCES						SAP MATERIAL MASTER																	
0 PLACE X ±			2 PLACE .XX ±			1 PLACE .X ±			ANGLES ±														
FINISH N/A						MATERIAL N/A																	
UNLESS OTHERWISE SPECIFIED DIMENSIONS ARE IN MILLIMETERS INTERPRET PER ISO STANDARDS HANDBOOK TECHNICAL DRAWINGS VOLUMES 1 & 2, THIRD EDITION (2002)	NAME		DATE		TITLE																		
	CE	LS	09/14/2017		PRODUCT DRAWING																		
	RW	WH1029	10/26/2017																				
	RV	CHALIU	11/01/2017																				
	AD	JIHE	11/01/2017																				
	RE	BYUAN	11/01/2017																				
ECN 8000026769-O					SCALE 1:2		DOCUMENT NO. BSAMNT-F-L																
DENSITY		g/mm ³		MASS		kg		VOLUME		mm ³													
SURFACE AREA		mm ²		HEIGHT				LENGTH															
WIDTH				SIZE		WORK AREA 23		MODEL		DRAWING													
				A2				<table border="1" style="font-size: 8px;"> <tr> <th>VERSION</th> <th>STATUS</th> <th>REVISION</th> <th>VERSION</th> <th>STATUS</th> <th>REVISION</th> </tr> <tr> <td>01</td> <td>RE</td> <td>B</td> <td>01</td> <td>RE</td> <td>B</td> </tr> </table>		VERSION	STATUS	REVISION	VERSION	STATUS	REVISION	01	RE	B	01	RE	B	SHEET 1 OF 1	
VERSION	STATUS	REVISION	VERSION	STATUS	REVISION																		
01	RE	B	01	RE	B																		