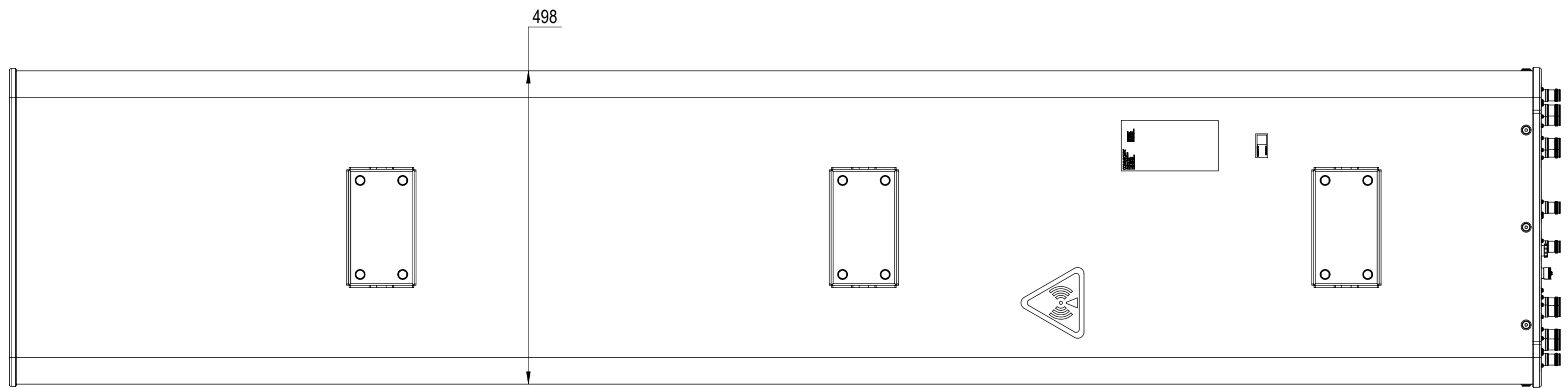
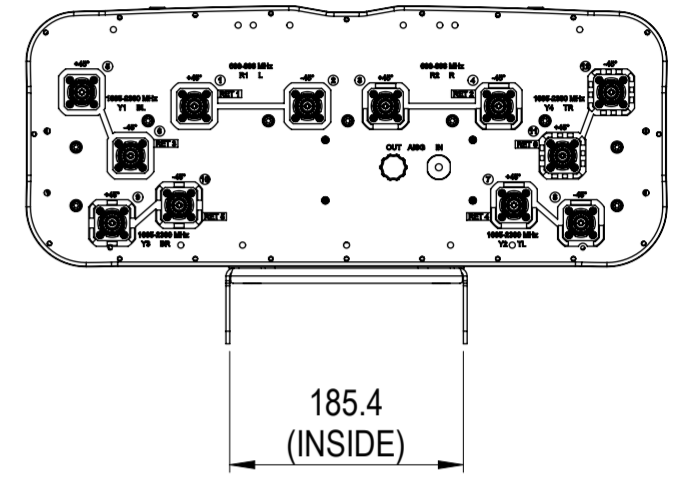
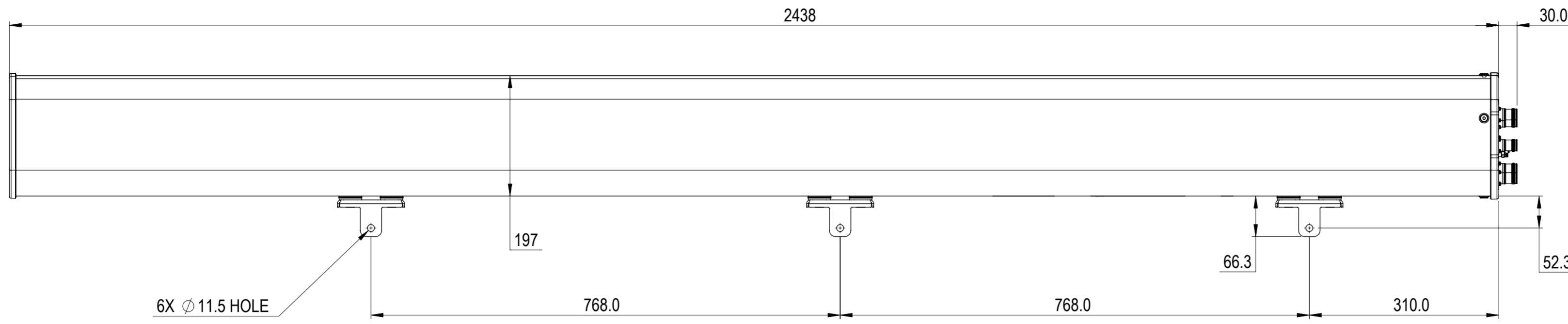


NOTES:

REVISIONS			
REV.	DESCRIPTION	DATE	APPROVED
A	ECR 8000028353: REL TO PRODUCTION PER EAO 605060.	09FEB18 HWW	SHINE/PJ



NNH4-65C-R6-V1

**COMMSCOPE, INC. OF NORTH CAROLINA**

TOLERANCES		SAP MATERIAL MASTER	
0 PLACE X ±	2 PLACE .XX ±		
1 PLACE .X ±	ANGLES ±		
FINISH		MATERIAL	
<small>UNLESS OTHERWISE SPECIFIED DIMENSIONS ARE IN MILLIMETERS INTERPRET PER ISO STANDARDS HANDBOOK TECHNICAL DRAWINGS VOLUMES 1 &amp; 2, THIRD EDITION (2002)</small>		NAME	DATE
		CE WH1029	02/09/2018
		RW WH1029	02/09/2018
		RV WW1027	02/12/2018
		AD JP1112	02/12/2018
RE ZHHCHEN	02/12/2018	TITLE	
ECN 8000028353-O		<b>PRODUCT DRAWING</b>	
SIZE	WORK AREA	23	SCALE
<b>A2</b>			<b>1:6</b>
MODEL		DOCUMENT NO.	
VERSION	STATUS	REVISION	<b>NNH4-65C-R6-V1-L</b>
00	RE	A	
DRAWING		SHEET	
VERSION	STATUS	REVISION	1 OF 1
00	RE	A	

DENSITY	g/mm <sup>3</sup>
MASS	grams
VOLUME	mm <sup>3</sup>
SURFACE AREA	mm <sup>2</sup>
HEIGHT	
LENGTH	
WIDTH	

© 2018 CommScope, Inc.