

# Installation Instructions

## Valuline™ Antenna Mount



### Description

This antenna consists of a reflector; radome; feed and offset tower mount. The mount is designed to attach the antenna to a vertical pipe of diameter 50mm to 115mm (2" to 4.5"). The mount provides adjustment ranges of ± 15° fine elevation and ± 180° (± 10° fine) azimuth.

### Notice

The installation, maintenance or removal of antenna systems requires qualified, experienced personnel. Andrew installation instructions have been written for such personnel. Antenna systems should be inspected once a year by qualified personnel to verify proper installation, maintenance, and condition of equipment.

Andrew disclaims any liability or responsibility for the results of improper or unsafe installation practices.

Table 1. Parts List

Item	Description	Qty
1	Antenna Assembly	1
2	Mount bracket	1
3	Screw, M10 x 35lg Cs'k Hd, st st	3
4	Loctite Nutlock	1
5	Mount Pivot bracket Assembly	1
6	Conductive Grease	1
7	Screw, M10 x 40lg Hex Hd, st, pass	5
8	Lock Washer, M10, st, pass	8
9	Washer, M10, st, pass	9
10	Nut, M10, st, pass	3
11	Pipe Attachment Bracket	1
12	Screw, M10 x 150lg Hex Hd, st, galv	2
13	Lock Washer, M10, st, galv	2
14	Washer, M10, st, galv	2
15	Nut, M10, st, galv	4
16	Clamp Bracket	1
17	Link Screw	1
18	Link Washer	2
19	Gloves	2
20	Screw, M10 x 130lg Hex Hd, st, pass	1



#### Main Hazards – Health Effects

**Eyes:** May cause irritation.

**Inhalation:** Viscous nature may block breathing passages if inhaled.

**Ingestion:** May cause diarrhoea.

**Skin:** For hypersensitive persons, may irritate the skin after long periods of contact.

**Respiratory Protection:** None needed.

**Hand Protection:** Protective gloves for hypersensitive persons.

**Eye Protection:** Glasses, if applied to parts in motion.

**Body Protection:** Overalls

Tools Required	Bolt Diameter in MM
	M10
Ring and Open spanner (A/F)	17mm
Torque Wrench	
Sockets (A/F)	17mm
Allen Key (A/F)	6mm
Allen Key (A/F)	8mm
Cutting Pliers	
Compass	
General Toolbox	

### Andrew Solutions

#### Customer Service 24 hours

U.S.A., Canada, Mexico: 1-800-255-1479  
 or 1-888-235-5732  
 U.K.: 0800 250055  
 Other Europe: +44 592 782 612

[www.commscope.com/andrew](http://www.commscope.com/andrew)

Visit our Web site at [www.commscope.com/andrew](http://www.commscope.com/andrew) or contact your local Andrew Solutions representative for more information. © 2008 CommScope, Inc. All rights reserved.

Andrew Solutions is a trademark of CommScope. All trademarks identified by ® or ™ are registered trademarks or trademarks, respectively, of CommScope. This document is for planning purposes only and is not intended to modify or supplement any specifications or warranties relating to Andrew Solutions products or services.

Notice: Andrew disclaims any liability or responsibility for the results of improper or unsafe installation, inspection, maintenance, or removal practices.

Aviso: Andrews no acepta ninguna obligación ni responsabilidad como resultado de practicas incorrectas o peligrosas de instalacion, inspección, mantenimiento o retire.

Avis : Andrew decline toute responsabilité pour les consequences de procedures d'installation, d'inspection, d'entretien ou de retrait incorrectes ou dangereuses.

Hinweis: Andrew lehnt jede Haftung Oder Verantwortung fur Schaden ab, die aufgrund unsachgeMaBer Installation, Uberprufung, Wartung Oder Demontage auftreten.

Atencao: A Andrew abdica do direito de toda responsabilidade pelos resultados de praticas inadequadas e sem seguranga de instalacao, inspecao, manutengao ou remocao.

Awertenza: Andrew declina eventual! responsabilita denvanti dell'esecuzione di procedure di installazione, ispezione, manutenzione e smontaggio improprie o poco sicure.

注意：Andrew 公司申明對於不恰當或不安全的安裝、檢驗、維修或拆卸操作所導致的後果不負任何義務和責任



# Installation Instructions

## Valuline™ Antenna Mount



Bulletin 7633130 page 2 of 7

Version 03 Status RE Rev D

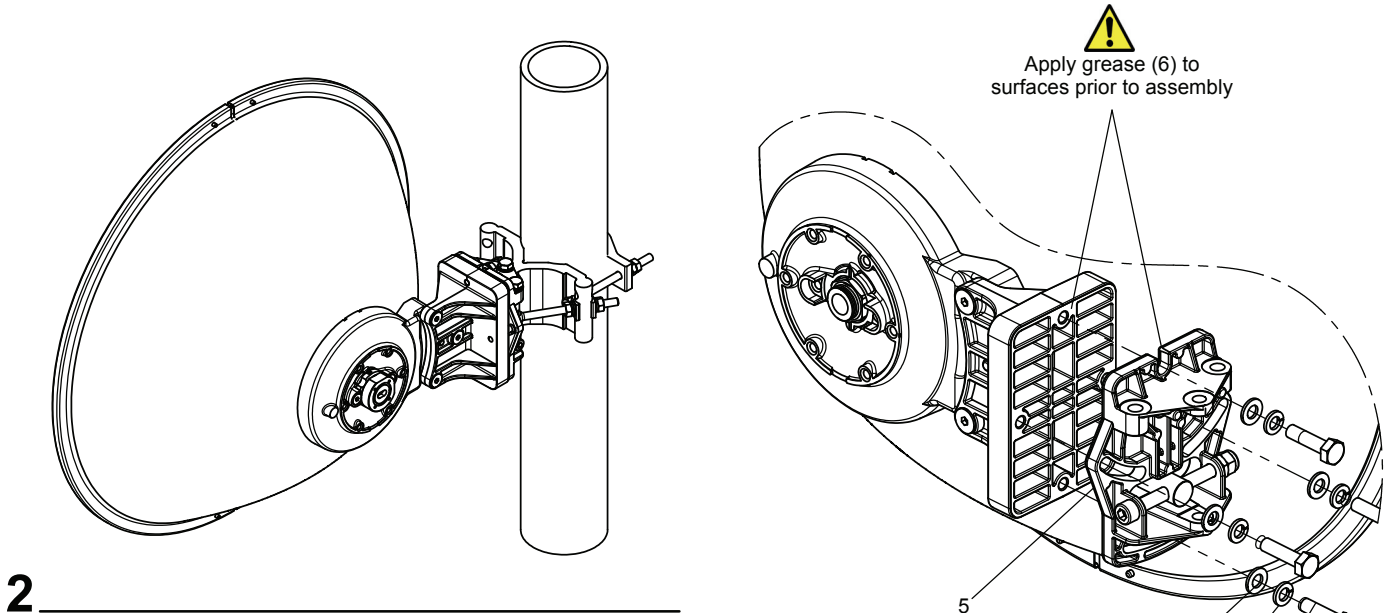
Model Version 03 Status RE Rev D

Andrew Institute offers installation training.

1

3

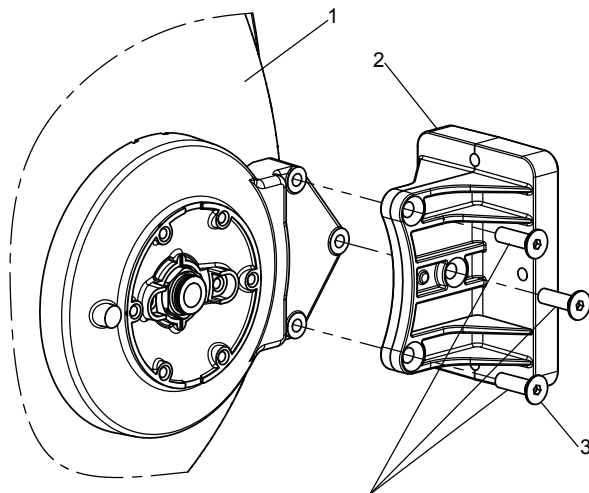
Note: Left offset shown



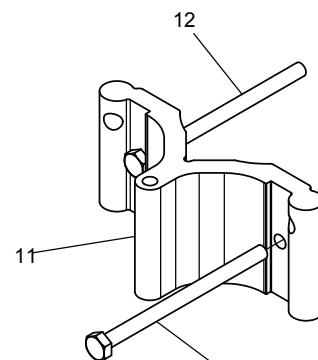
2

Assemble pivot bracket (5) using M10x40lg screws (7), lock washers (8) and washers (9). Fit screws finger tight.

4



Apply Loctite Nutlock (4) to threads of M10 cs'k screws (3) prior to assembly of mount bracket (2). Tighten to torque of 38Nm ± 5%



Assemble M10x150lg screws (12) to pipe attachment bracket (11)

### Andrew Solutions

#### Customer Service 24 hours

U.S.A., Canada, Mexico: 1-800-255-1479  
or 1-888-235-5732  
U.K.: 0800 250055  
Other Europe: +44 592 782 612

### www.commscope.com/andrew

Visit our Web site at [www.commscope.com/andrew](http://www.commscope.com/andrew) or contact your local Andrew Solutions representative for more information.

© 2008 CommScope, Inc. All rights reserved.

Andrew Solutions is a trademark of CommScope. All trademarks identified by ® or ™ are registered trademarks or trademarks, respectively, of CommScope. This document is for planning purposes only and is not intended to modify or supplement any specifications or warranties relating to Andrew Solutions products or services.

Notice: Andrew disclaims any liability or responsibility for the results of improper or unsafe installation, inspection, maintenance, or removal practices.

Aviso: Andrews no acepta ninguna obligación ni responsabilidad como resultado de practicas incorrectas o peligrosas de instalacion, inspección, mantenimiento o retire.

Avis: Andrew decline toute responsabilite pour les consequences de procedures d'installation, d'inspection, d'entretien ou de retrait incorrectes ou dangereuses.

Hinweis: Andrew lehnt jede Haftung Oder Verantwortung fur Schaden ab, die aufgrund unsachgemaBer Installation, Uberprufung, Wartung Oder Demontage auftreten.

Atencao: A Andrew abdica do direito de toda responsabilidade pelos resultados de praticas inadequadas e sem seguranca de instalacao, inspecao, manutengao ou remocao.

Awertenza: Andrew declina eventual! responsabilita denvanti dell'esecuzione di procedure di installazione, ispezione, manutenzione e smontaggio improprie o poco sicure.

注意：Andrew 公司申明對於不恰當或不安全的安裝、檢驗、維修或拆卸操作所導致的後果不負任何義務和責任

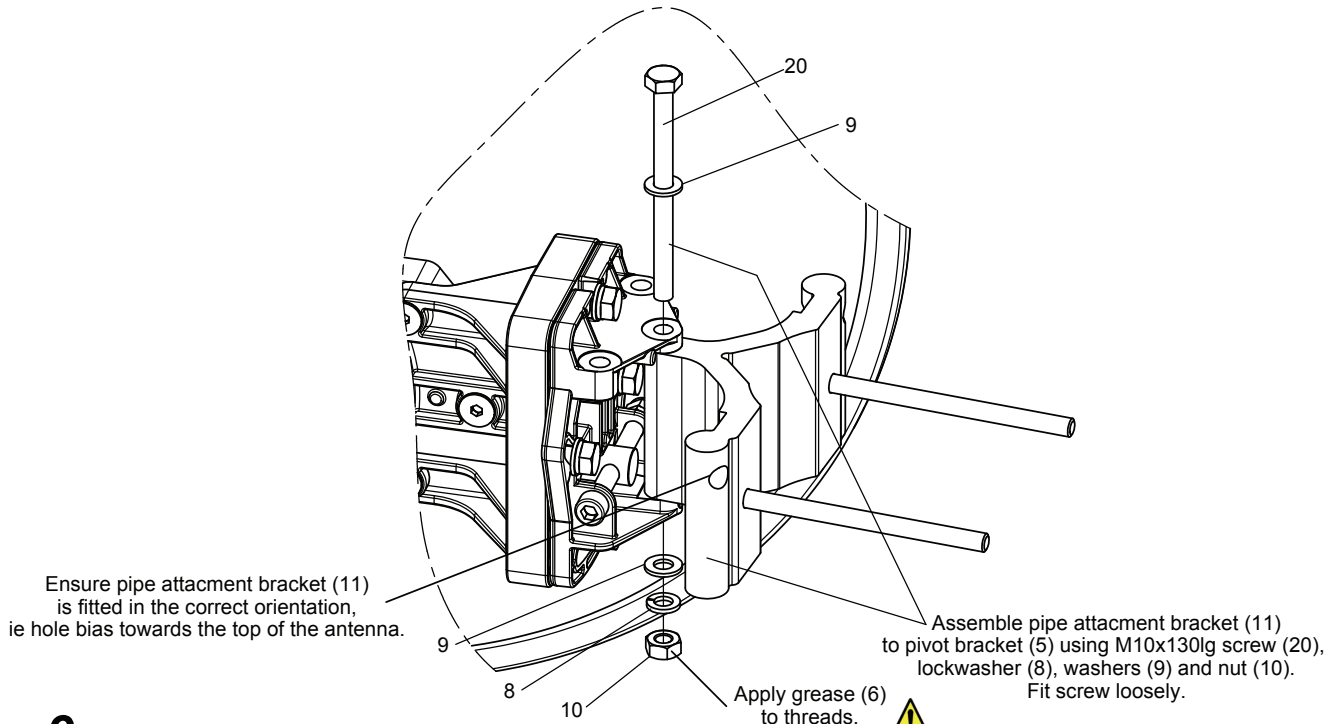


# Installation Instructions

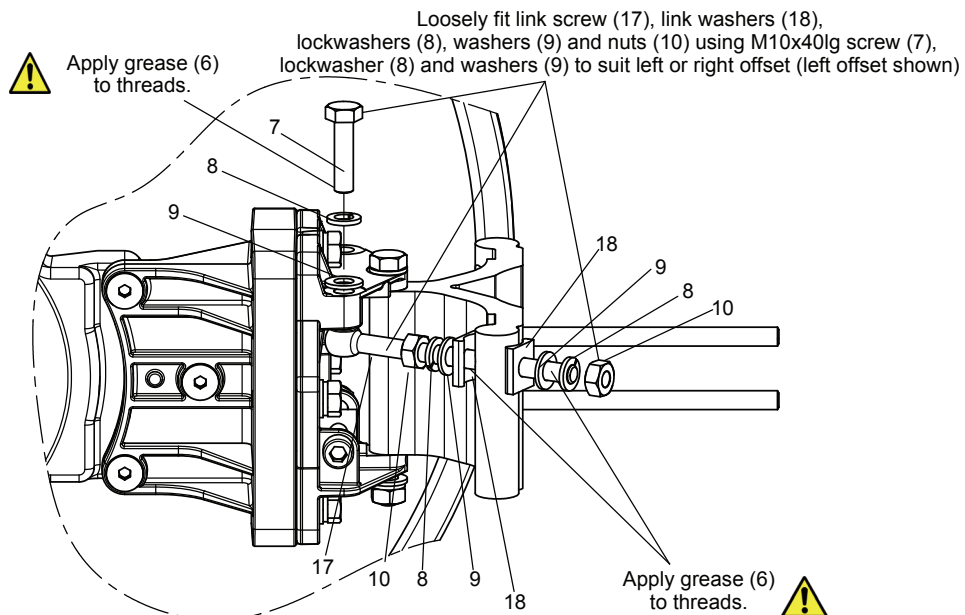
## Valuline™ Antenna Mount



5



6



### Andrew Solutions

#### Customer Service 24 hours

U.S.A., Canada, Mexico: 1-800-255-1479  
or 1-888-235-5732  
U.K.: 0800 250055  
Other Europe: +44 592 782 612

[www.commscope.com/andrew](http://www.commscope.com/andrew)

Visit our Web site at [www.commscope.com/andrew](http://www.commscope.com/andrew) or contact your local Andrew Solutions representative for more information.  
© 2008 CommScope, Inc. All rights reserved.

Andrew Solutions is a trademark of CommScope. All trademarks identified by ® or ™ are registered trademarks or trademarks, respectively, of CommScope. This document is for planning purposes only and is not intended to modify or supplement any specifications or warranties relating to Andrew Solutions products or services.

Notice: Andrew disclaims any liability or responsibility for the results of improper or unsafe installation, inspection, maintenance, or removal practices.

Aviso: Andrews no acepta ninguna obligacion ni responsabilidad como resultado de practicas incorrectas o peligrosas de instalacion, inspeccion, mantenimiento o retire.

Avis: Andrew decline toute responsabilite pour les consequences de procedures d'installation, d'inspection, d'entretien ou de retrait incorrectes ou dangereuses.

Hinweis: Andrew lehnt jede Haftung Oder Verantwortung fur Schaden ab, die aufgrund unsachgemaBer Installation, Uberprufung, Wartung Oder Demontage auftreten.

Atencao: A Andrew abdica do direito de toda responsabilidade pelos resultados de praticas inadequadas e sem seguranca de instalacao, inspecao, manutengao ou remocao.

Awertenza: Andrew declina eventual! responsabilita dervanti dell'esecuzione di procedure di installazione, ispezione, manutenzione e smontaggio improprie o poco sicure.

注意：Andrew 公司申明對於不恰當或不安全的安裝、檢驗、維修或拆卸操作所導致的後果不負任何義務和責任



# Installation Instructions

## Valuline™ Antenna Mount



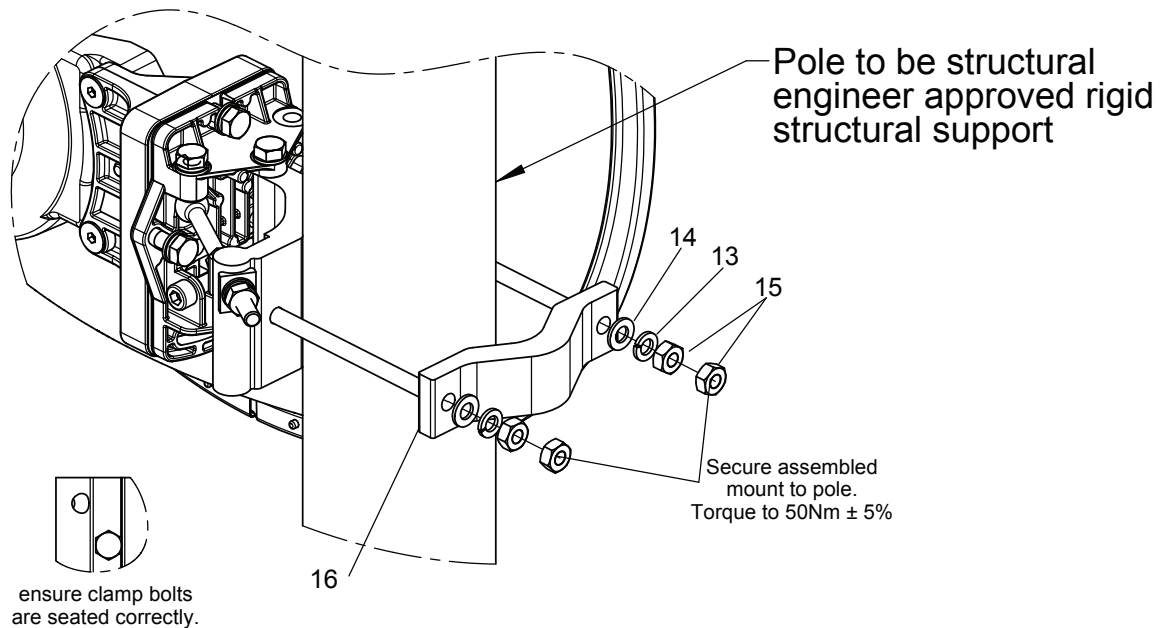
Bulletin 7633130 page 4 of 7

Version 03 Status RE Rev D

Model Version 03 Status RE Rev D

**Andrew Institute offers installation training.**

7



### Andrew Solutions

#### Customer Service 24 hours

U.S.A., Canada, Mexico: 1-800-255-1479  
or 1-888-235-5732  
U.K.: 0800 250055  
Other Europe: +44 592 782 612

[www.commscope.com/andrew](http://www.commscope.com/andrew)

Visit our Web site at [www.commscope.com/andrew](http://www.commscope.com/andrew) or contact your local Andrew Solutions representative for more information.  
© 2008 CommScope, Inc. All rights reserved.

Andrew Solutions is a trademark of CommScope. All trademarks identified by ® or ™ are registered trademarks or trademarks, respectively, of CommScope. This document is for planning purposes only and is not intended to modify or supplement any specifications or warranties relating to Andrew Solutions products or services.

Notice: Andrew disclaims any liability or responsibility for the results of improper or unsafe installation, inspection, maintenance, or removal practices.

Aviso: Andrews no acepta ninguna obligación ni responsabilidad como resultado de prácticas incorrectas o peligrosas de instalación, inspección, mantenimiento o retiro.

Avis: Andrew decline toute responsabilité pour les conséquences de procédures d'installation, d'inspection, d'entretien ou de retrait incorrectes ou dangereuses.

Hinweis: Andrew lehnt jede Haftung Oder Verantwortung für Schaden ab, die aufgrund unsachgemäß Installation, Überprüfung, Wartung Oder Demontage auftreten.

Atencao: A Andrew abdica do direito de toda responsabilidade pelos resultados de praticas inadequadas e sem seguranca de instalacao, inspecao, manutengao ou remocao.

Awertenza: Andrew declina eventual! responsabilita denvanti dell'esecuzione di procedure di installazione, ispezione, manutenzione e smontaggio improprie o poco sicure.

**注意：Andrew 公司申明對於不恰當或不安全的安裝、檢驗、維修或拆卸操作所導致的後果不負任何義務和責任**



# Installation Instructions

## Valuline™ Antenna Mount



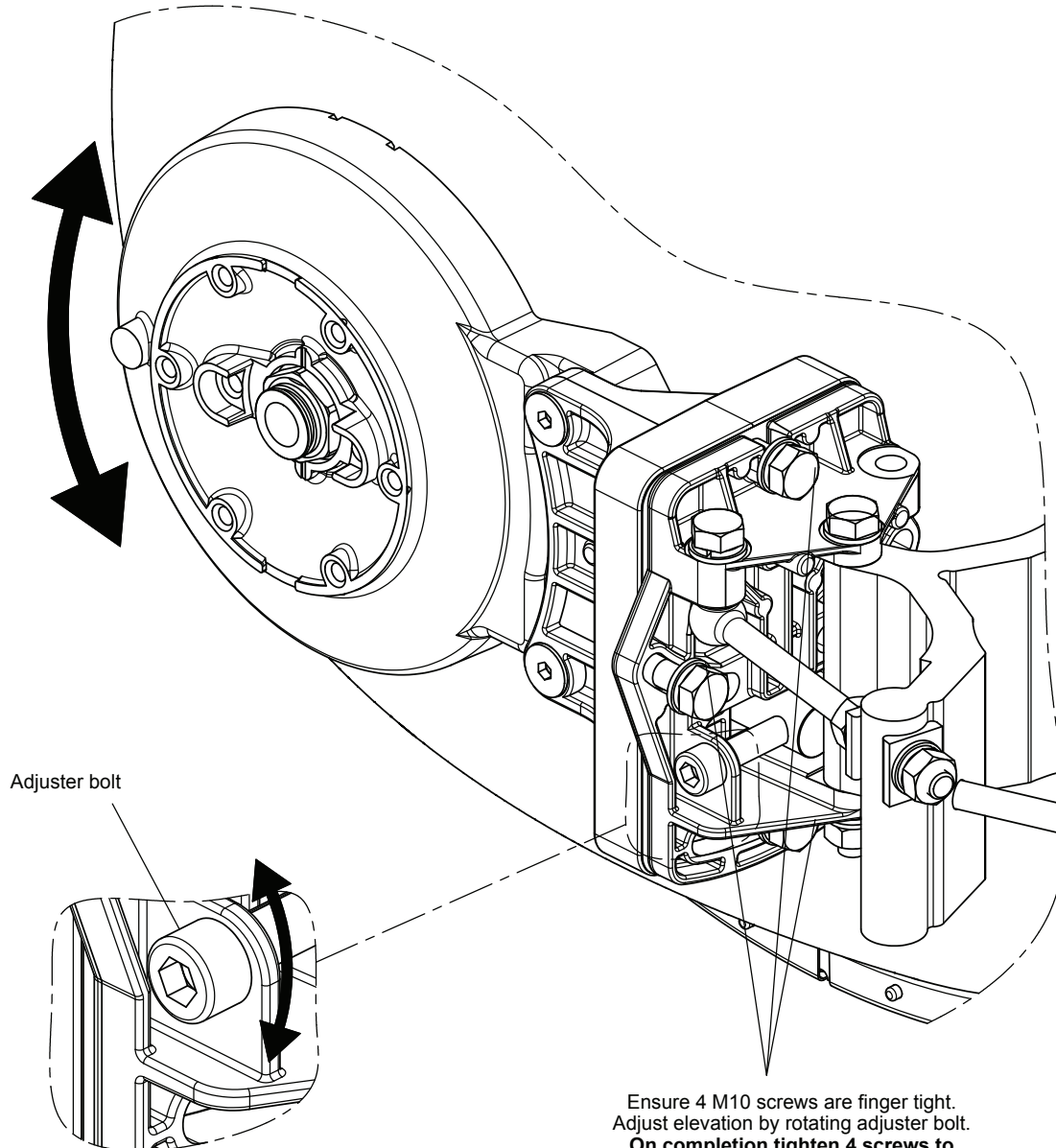
Bulletin 7633130 page 5 of 7

Version 03 Status RE Rev D

Model Version 03 Status RE Rev D

**Andrew Institute offers installation training.**

### Elevation Adjustment



Ensure 4 M10 screws are finger tight.  
Adjust elevation by rotating adjuster bolt.  
**On completion tighten 4 screws to  
a torque of 22Nm ± 5%**

#### Andrew Solutions

##### Customer Service 24 hours

U.S.A., Canada, Mexico: 1-800-255-1479  
or 1-888-235-5732  
U.K.: 0800 250055  
Other Europe: +44 592 782 612

[www.commscope.com/andrew](http://www.commscope.com/andrew)

Visit our Web site at [www.commscope.com/andrew](http://www.commscope.com/andrew) or contact your local Andrew Solutions representative for more information.  
© 2008 CommScope, Inc. All rights reserved.

Andrew Solutions is a trademark of CommScope. All trademarks identified by ® or ™ are registered trademarks or trademarks, respectively, of CommScope. This document is for planning purposes only and is not intended to modify or supplement any specifications or warranties relating to Andrew Solutions products or services.

Notice: Andrew disclaims any liability or responsibility for the results of improper or unsafe installation, inspection, maintenance, or removal practices.

Aviso: Andrews no acepta ninguna obligación ni responsabilidad como resultado de prácticas incorrectas o peligrosas de instalación, inspección, mantenimiento o retiro.

Avis: Andrew decline toute responsabilité pour les conséquences de procédures d'installation, d'inspection, d'entretien ou de retrait incorrectes ou dangereuses.

Hinweis: Andrew lehnt jede Haftung Oder Verantwortung für Schaden ab, die aufgrund unsachgemäß Installation, Überprüfung, Wartung Oder Demontage auftreten.

Atencao: A Andrew abdica do direito de toda responsabilidade pelos resultados de praticas inadequadas e sem segurancia de instalacao, inspecao, manutengao ou remocao.

Awertenza: Andrew declina eventual! responsabilita denvanti dell'esecuzione di procedure di installazione, ispezione, manutenzione e smontaggio improprie o poco sicure.

**注意：Andrew 公司申明對於不恰當或不安全的安裝、檢驗、維修或拆卸操作所導致的後果不負任何義務和責任**



# Installation Instructions

## Valuline™ Antenna Mount



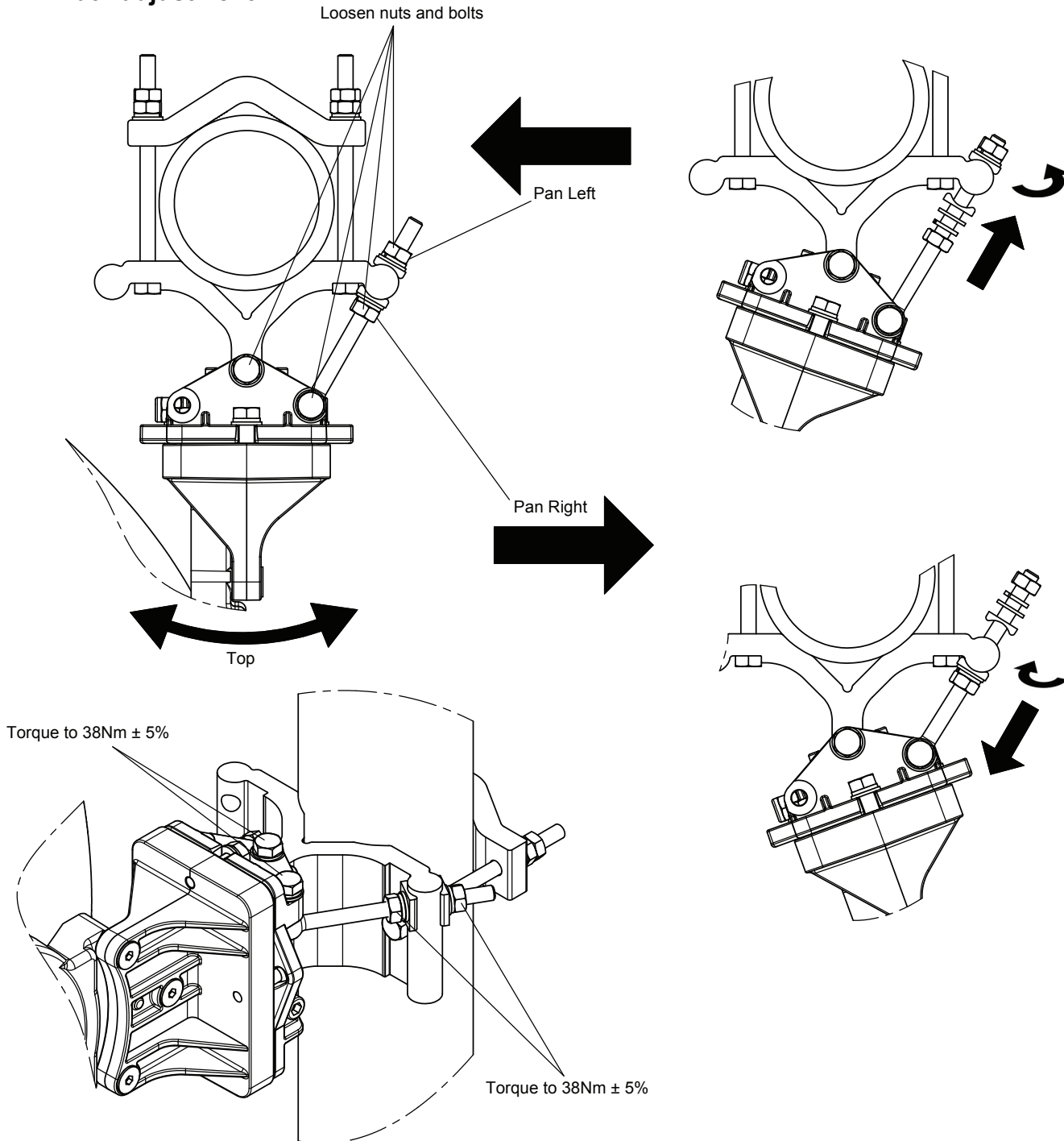
Bulletin 7633130 page 6 of 7

Version 03 Status RE Rev D

Model Version 03 Status RE Rev D

Andrew Institute offers installation training.

### Azimuth adjustment



#### Andrew Solutions

#### Customer Service 24 hours

U.S.A., Canada, Mexico: 1-800-255-1479  
 or 1-888-235-5732  
 U.K.: 0800 250055  
 Other Europe: +44 592 782 612

[www.commscope.com/andrew](http://www.commscope.com/andrew)

Visit our Web site at [www.commscope.com/andrew](http://www.commscope.com/andrew) or contact your local Andrew Solutions representative for more information.  
 © 2008 CommScope, Inc. All rights reserved.

Andrew Solutions is a trademark of CommScope. All trademarks identified by ® or ™ are registered trademarks or trademarks, respectively, of CommScope. This document is for planning purposes only and is not intended to modify or supplement any specifications or warranties relating to Andrew Solutions products or services.

Notice: Andrew disclaims any liability or responsibility for the results of improper or unsafe installation, inspection, maintenance, or removal practices.  
 Aviso: Andrews no acepta ninguna obligación ni responsabilidad como resultado de practicas incorrectas o peligrosas de instalacion, inspección, mantenimiento o retire.  
 Avis : Andrew decline toute responsabilite pour les consequences de procedures d'installation, d'inspection, d'entretien ou de retrait incorrectes ou dangereuses.  
 Hinweis: Andrew lehnt jede Haftung Oder Verantwortung fur Schaden ab, die aufgrund unsachgemaBer Installation, Uberprufung, Wartung Oder Demontage auftreten.  
 Atencao: A Andrew abdica do direito de toda responsabilidade pelos resultados de praticas inadequadas e sem seguranca de instalacao, inspecao, manutengao ou remocao.  
 Awertenza: Andrew declina eventual! responsabilita denvanti dell'esecuzione di procedure di installazione, ispezione, manutenzione e smontaggio improprie o poco sicure.

注意：Andrew 公司申明對於不恰當或不安全的安裝、檢驗、維修或拆卸操作所導致的後果不負任何義務和責任



# Installation Instructions

## Valuline™ Antenna Mount

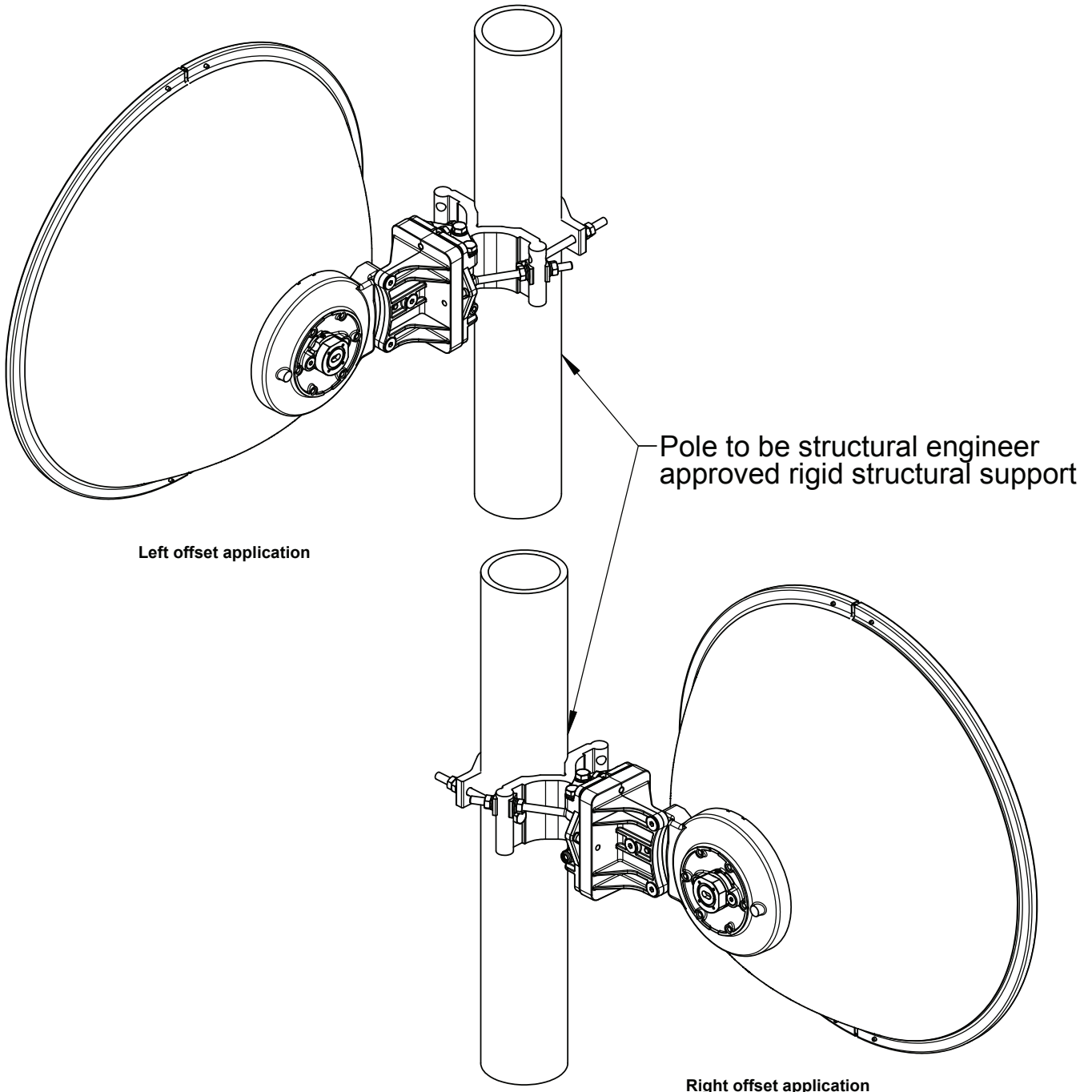


Bulletin 7633130 page 7 of 7

Version 03 Status RE Rev D

Model Version 03 Status RE Rev D

**Andrew Institute offers installation training.**



**Andrew Solutions**

**Customer Service 24 hours**  
 U.S.A., Canada, Mexico: 1-800-255-1479  
 or 1-888-235-5732  
 U.K.: 0800 250055  
 Other Europe: +44 592 782 612

[www.commscope.com/andrew](http://www.commscope.com/andrew)

Visit our Web site at [www.commscope.com/andrew](http://www.commscope.com/andrew) or contact your local Andrew Solutions representative for more information.  
 © 2008 CommScope, Inc. All rights reserved.  
 Andrew Solutions is a trademark of CommScope. All trademarks identified by ® or ™ are registered trademarks or trademarks, respectively, of CommScope. This document is for planning purposes only and is not intended to modify or supplement any specifications or warranties relating to Andrew Solutions products or services.

Notice: Andrew disclaims any liability or responsibility for the results of improper or unsafe installation, inspection, maintenance, or removal practices.  
 Aviso: Andrews no acepta ninguna obligación ni responsabilidad como resultado de practicas incorrectas o peligrosas de instalacion, inspección, mantenimiento o retire.  
 Avis : Andrew decline toute responsabilite pour les consequences de procedures d'installation, d'inspection, d'entretien ou de retrait incorrectes ou dangereuses.  
 Hinweis: Andrew lehnt jede Haftung Oder Verantwortung fur Schaden ab, die aufgrund unsachgemaBer Installation, Uberprufung, Wartung Oder Demontage auftreten.  
 Atencao: A Andrew abdica do direito de toda responsabilidade pelos resultados de praticas inadequadas e sem seguranca de instalacao, inspecao, manutengao ou remocao.  
 Awertenza: Andrew declina eventual! responsabilita denvanti dell'esecuzione di procedure di installazione, ispezione, manutenzione e smontaggio improprie o poco sicure.

**注意：Andrew 公司申明對於不恰當或不安全的安裝、檢驗、維修或拆卸操作所導致的後果不負任何義務和責任**

