



Powered Fiber Cable, OM3, 4 Fibers, Outdoor, 16AWG Conductor

- Easy peel, stranded conductors for maximum cable flexibility and rapid access
- Polarization indentation along one side of the cable for polarity identification
- No special tools or mounting hardware required - usage of a standard "FTTH" pressure clamp for aerial installation
- Easy split of cable into three separate sections for separate routing in closures, as needed for installation
- Polyethylene jacket for outdoor duct or direct buried applications

Product Classification

| | |
|------------------------------|---|
| Product Series | PFC |
| Product Type | Hybrid cable |
| Regional Availability | Asia Australia/New Zealand EMEA Latin America North America |

Standards And Qualifications

| | |
|--------------------------------------|------------------------------|
| Cable Qualification Standards | Telcordia GR-20-CORE Issue 4 |
|--------------------------------------|------------------------------|

General Specifications

| | |
|------------------------|-------------------------------------|
| Cable Type | Stranded outdoor |
| Conductor Gauge | 16 AWG |
| Ordering Note | Minimum order quantity is 500 meter |

Construction Materials

| | |
|-----------------------------|-----------------------|
| Total Fiber Count | 4 |
| Fiber Type | OM3, bend insensitive |
| Jacket Color | Black |
| Jacket UV Resistance | UV stabilized |

Dimensions

| | |
|---------------------------|--------------------|
| Cable Weight | 70.0 kg/km |
| Height Over Jacket | 4.30 mm 0.17 in |
| Width Over Jacket | 11.50 mm 0.45 in |

Physical Specifications

| | |
|--|------------------|
| Minimum Bend Radius, loaded | 50.0 mm 2.0 in |
| Minimum Bend Radius, unloaded | 30.0 mm 1.2 in |
| Tensile Load, long term, maximum | 132 N 30 lbf |
| Tensile Load, short term, maximum | 440 N 99 lbf |

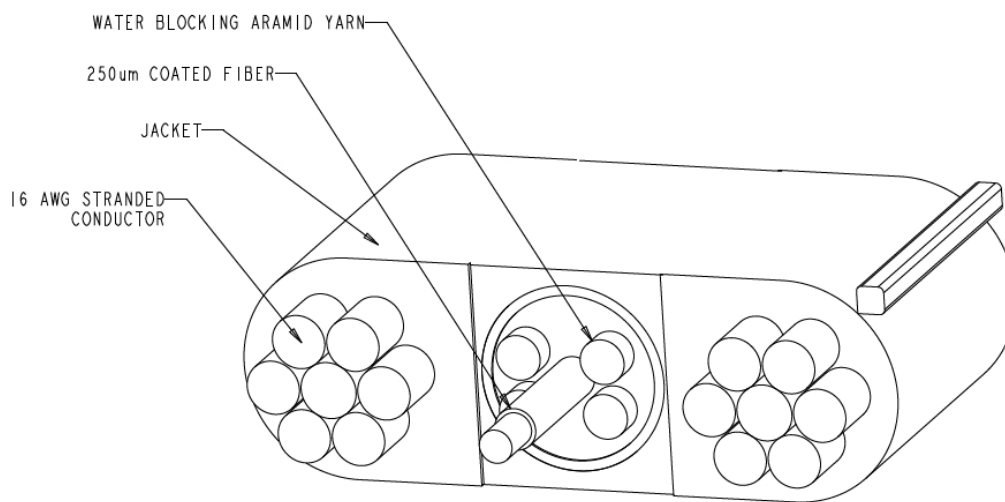
PFC-304016

Vertical Rise, maximum 122.0 m | 400.3 ft

Environmental Specifications

| | |
|---------------------------------|--------------------------------------|
| Environmental Space | Outdoor |
| Installation Temperature | -10 °C to +60 °C (+14 °F to +140 °F) |
| Operating Temperature | -40 °C to +70 °C (-40 °F to +158 °F) |
| Storage Temperature | -40 °C to +70 °C (-40 °F to +158 °F) |

Outline Drawing



Regulatory Compliance/Certifications

Agency
RoHS 2011/65/EU

Classification
Compliant



Included Products

CS-5E-PFC (Product Component—not orderable) — 50µm OM3 Bend-Insensitive Multimode Fiber

* Footnotes

Operating Temperature Specification applicable to non-terminated bulk fiber cable

50µm OM3 Bend-Insensitive Multimode Fiber

Product Classification

| | |
|------------------------------|---|
| Portfolio | CommScope® |
| Product Type | Optical fiber |
| Regional Availability | Asia Australia/New Zealand EMEA Latin America North America |

Optical Specifications, Wavelength Specific

| | |
|-------------------------------------|--|
| Standards Compliance | TIA-492AAAC (OM3) |
| Attenuation, maximum | 1.20 dB/km @ 1300 nm 3.00 dB/km @ 850 nm |
| Differential Mode Delay Note | Superior to TIA-492AAAC and IEC 60793-2-10 at 850 nm |
| Index of Refraction | 1.477 @ 1300 nm 1.482 @ 850 nm |
| Bandwidth, Laser, minimum | 500 MHz-km @ 1300 nm 2000 MHz-km @ 850 nm |
| Bandwidth, OFL, minimum | 500 MHz-km @ 1300 nm 1500 MHz-km @ 850 nm |
| Backscatter Coefficient | -75.7 dB @ 1300 nm -68.0 dB @ 850 nm |

Physical Specifications

| | |
|--|----------|
| Cladding Diameter | 125.0 µm |
| Cladding Diameter Tolerance | ±1.0 µm |
| Cladding Non-Circularity, maximum | 0.7 % |
| Coating Diameter (Colored) | 242 µm |
| Coating Diameter Tolerance (Colored) | ±7 µm |
| Coating/Cladding Concentricity Error, maximum | 10 µm |
| Core Diameter | 50.0 µm |
| Core Diameter Tolerance | ±2.5 µm |
| Core/Clad Offset, maximum | 1.0 µm |

Optical Specifications, General

| | |
|--|---------------------|
| Numerical Aperture | 0.200 |
| Numerical Aperture Tolerance | ±0.015 |
| Point Defects, maximum | 0.20 dB |
| Zero Dispersion Slope, maximum | 0.105 ps/[km-nm-nm] |
| Zero Dispersion Wavelength, maximum | 1340 nm |
| Zero Dispersion Wavelength, minimum | 1295 nm |

Mechanical Specifications

| | |
|---|--|
| Coating Strip Force, maximum | 8.9 N 2.0 lbf |
| Coating Strip Force, minimum | 1.3 N 0.3 lbf |
| Dynamic Fatigue Parameter, minimum | 25 |
| Macrobanding, 15 mm mandrel, 2 turns | 0.20 dB @ 850 nm 0.50 dB @ 1300 nm |
| Macrobanding, 30 mm mandrel, 2 turns | 0.10 dB @ 850 nm 0.30 dB @ 1300 nm |
| Proof Test | 689.48 N/mm ² 100000.00 psi |

Environmental Specifications

| | |
|--|--------------------|
| Heat Aging, maximum | 0.10 dB/km @ 85 °C |
| Temperature Dependence, maximum | 0.10 dB/km |
| Temperature Humidity Cycling, maximum | 0.10 dB/km |
| Water Immersion, maximum | 0.10 dB/km @ 23 °C |

Regulatory Compliance/Certifications

| Agency | Classification |
|---------------|--|
| ISO 9001:2015 | Designed, manufactured and/or distributed under this quality management system |



* Footnotes

| | |
|--|---|
| Temperature Dependence, maximum | Temperature dependence is conducted at -60 °C to +85 °C (-76 °F to +185 °F) |
| Temperature Humidity Cycling, maximum | Temperature humidity cycling is conducted at -10 °C to +85 °C (+14 °F to +185 °F) up to 95% relative humidity |