



Powered Fiber Cable, OM3, 4 Fibers, Outdoor, 16AWG Conductor, Printed in FEET

- Easy peel, stranded conductors for maximum cable flexibility and rapid access
- Polarization indentation along one side of the cable for polarity identification
- No special tools or mounting hardware required - usage of a standard "FTTH" pressure clamp for aerial installation
- Easy split of cable into three separate sections for separate routing in closures, as needed for installation
- Polyethylene jacket for outdoor duct or direct buried applications

Product Classification

Product Series	PFC
Product Type	Hybrid cable
Regional Availability	North America

Standards And Qualifications

Cable Qualification Standards	Telcordia GR-20-CORE Issue 4
--------------------------------------	------------------------------

General Specifications

Cable Type	Stranded outdoor
Conductor Gauge	16 AWG
Ordering Note	Minimum order quantity is 1640 feet

Construction Materials

Total Fiber Count	4
Fiber Type	OM3, bend insensitive
Jacket Color	Black
Jacket UV Resistance	UV stabilized

Dimensions

Cable Weight	70.0 kg/km
Height Over Jacket	4.30 mm 0.17 in
Width Over Jacket	11.50 mm 0.45 in

Physical Specifications

Minimum Bend Radius, loaded	50.0 mm 2.0 in
Minimum Bend Radius, unloaded	30.0 mm 1.2 in
Tensile Load, long term, maximum	132 N 30 lbf

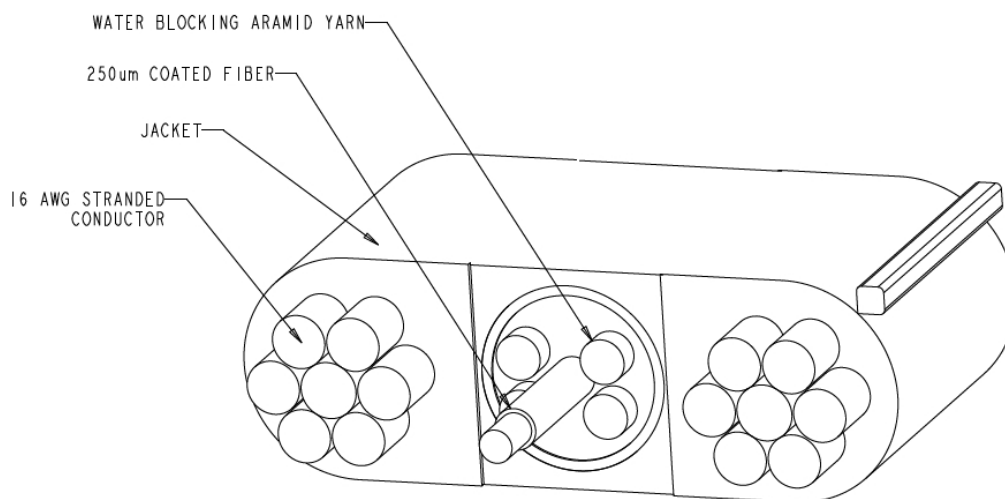
PFC-304016F

Tensile Load, short term, maximum 440 N | 99 lbf
Vertical Rise, maximum 122.0 m | 400.3 ft

Environmental Specifications

Environmental Space Outdoor
Installation Temperature -10 °C to +60 °C (+14 °F to +140 °F)
Operating Temperature -40 °C to +70 °C (-40 °F to +158 °F)
Storage Temperature -40 °C to +70 °C (-40 °F to +158 °F)

Outline Drawing



Regulatory Compliance/Certifications

Agency
RoHS 2011/65/EU

Classification
Compliant



Included Products

CS-5E-PFC (Product Component—not orderable) — 50µm OM3 Bend-Insensitive Multimode Fiber

* Footnotes

Operating Temperature Specification applicable to non-terminated bulk fiber cable

50µm OM3 Bend-Insensitive Multimode Fiber

Product Classification

Portfolio	CommScope®
Product Type	Optical fiber
Regional Availability	Asia Australia/New Zealand EMEA Latin America North America

Optical Specifications, Wavelength Specific

Standards Compliance	TIA-492AAAC (OM3)
Attenuation, maximum	1.20 dB/km @ 1300 nm 3.00 dB/km @ 850 nm
Differential Mode Delay Note	Superior to TIA-492AAAC and IEC 60793-2-10 at 850 nm
Index of Refraction	1.477 @ 1300 nm 1.482 @ 850 nm
Bandwidth, Laser, minimum	500 MHz-km @ 1300 nm 2000 MHz-km @ 850 nm
Bandwidth, OFL, minimum	500 MHz-km @ 1300 nm 1500 MHz-km @ 850 nm
Backscatter Coefficient	-75.7 dB @ 1300 nm -68.0 dB @ 850 nm

Physical Specifications

Cladding Diameter	125.0 µm
Cladding Diameter Tolerance	±1.0 µm
Cladding Non-Circularity, maximum	0.7 %
Coating Diameter (Colored)	242 µm
Coating Diameter Tolerance (Colored)	±7 µm
Coating/Cladding Concentricity Error, maximum	10 µm
Core Diameter	50.0 µm
Core Diameter Tolerance	±2.5 µm
Core/Clad Offset, maximum	1.0 µm

Optical Specifications, General

Numerical Aperture	0.200
Numerical Aperture Tolerance	±0.015
Point Defects, maximum	0.20 dB
Zero Dispersion Slope, maximum	0.105 ps/[km-nm-nm]
Zero Dispersion Wavelength, maximum	1340 nm
Zero Dispersion Wavelength, minimum	1295 nm

Mechanical Specifications

Coating Strip Force, maximum	8.9 N 2.0 lbf
Coating Strip Force, minimum	1.3 N 0.3 lbf
Dynamic Fatigue Parameter, minimum	25
Macrobanding, 15 mm mandrel, 2 turns	0.20 dB @ 850 nm 0.50 dB @ 1300 nm
Macrobanding, 30 mm mandrel, 2 turns	0.10 dB @ 850 nm 0.30 dB @ 1300 nm
Proof Test	689.48 N/mm ² 100000.00 psi

Environmental Specifications

Heat Aging, maximum	0.10 dB/km @ 85 °C
Temperature Dependence, maximum	0.10 dB/km
Temperature Humidity Cycling, maximum	0.10 dB/km
Water Immersion, maximum	0.10 dB/km @ 23 °C

Regulatory Compliance/Certifications

Agency	Classification
ISO 9001:2015	Designed, manufactured and/or distributed under this quality management system



* Footnotes

Temperature Dependence, maximum	Temperature dependence is conducted at -60 °C to +85 °C (-76 °F to +185 °F)
Temperature Humidity Cycling, maximum	Temperature humidity cycling is conducted at -10 °C to +85 °C (+14 °F to +185 °F) up to 95% relative humidity