



Powered Fiber Cable, OM3, 4 Fibers, Indoor/Outdoor, 16AWG Conductor, meter

- Easy peel, stranded conductors for maximum cable flexibility and rapid access
- Polarization indentation along one side of the cable for polarity identification
- No special tools or mounting hardware required - usage of a standard "FTTH" pressure clamp for aerial installation
- Easy split of cable into three separate sections for separate routing in closures, as needed for installation
- Riser/LSZH jacket for indoor/outdoor applications

## Product Classification

<b>Product Series</b>	PFC
<b>Product Type</b>	Hybrid cable
<b>Regional Availability</b>	Asia   Australia/New Zealand   EMEA   Latin America   North America

## Standards And Qualifications

<b>Cable Qualification Standards</b>	Telcordia GR-20-CORE Issue 4
<b>EN50575 CPR Cable EuroClass</b>	Dca   s1a   d1   a1

## General Specifications

<b>Cable Type</b>	Stranded indoor/outdoor
<b>Conductor Gauge</b>	16 AWG
<b>Ordering Note</b>	Minimum order quantity is 500 meter

## Construction Materials

<b>Total Fiber Count</b>	4
<b>Fiber Type</b>	OM3, bend insensitive
<b>Jacket Color</b>	Black
<b>Jacket UV Resistance</b>	UV stabilized

## Dimensions

<b>Cable Weight</b>	70.0 kg/km
<b>Height Over Jacket</b>	4.30 mm   0.17 in
<b>Width Over Jacket</b>	11.50 mm   0.45 in

## Physical Specifications

<b>Minimum Bend Radius, loaded</b>	90.0 mm   3.5 in
<b>Minimum Bend Radius, unloaded</b>	45.0 mm   1.8 in

# PFC-304L16

**Tensile Load, long term, maximum** 132 N | 30 lbf  
**Tensile Load, short term, maximum** 440 N | 99 lbf  
**Vertical Rise, maximum** 122.0 m | 400.3 ft

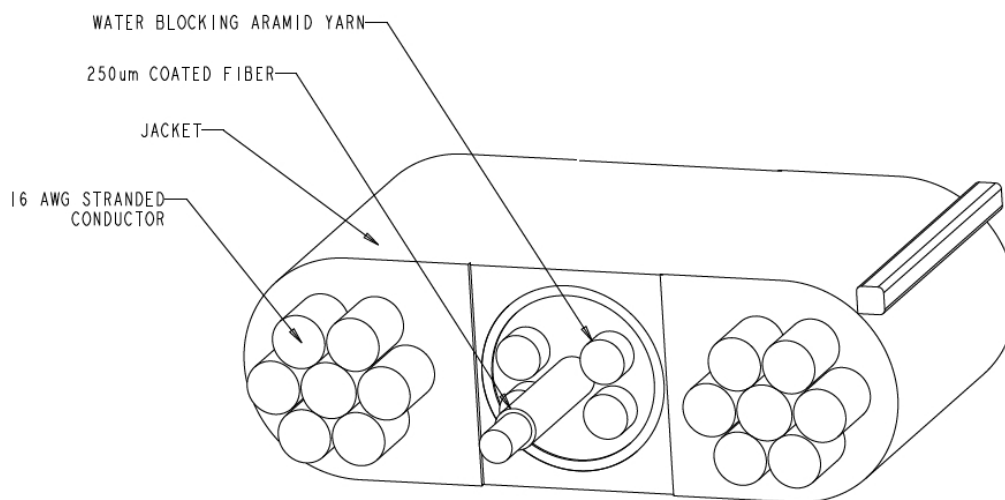
## Flame Test Specifications

**Flame Test Method** IEC 60332-1-2 | IEC 60754-2 | IEC 61034-2 | UL 1666 | UL 444

## Environmental Specifications

**Environmental Space** Low Smoke Zero Halogen (LSZH) | Riser  
**Installation Temperature** -10 °C to +60 °C (+14 °F to +140 °F)  
**Operating Temperature** -40 °C to +70 °C (-40 °F to +158 °F)  
**Storage Temperature** -40 °C to +70 °C (-40 °F to +158 °F)

## Outline Drawing



## Regulatory Compliance/Certifications

Agency	Classification
RoHS 2011/65/EU CENELEC	Compliant EN 50575 compliant, Declaration of Performance (DoP) available



## Included Products

CS-5E-PFC (Product Component—not orderable) — 50µm OM3 Bend-Insensitive Multimode Fiber

## \* Footnotes

**Operating Temperature** Specification applicable to non-terminated bulk fiber cable

## 50µm OM3 Bend-Insensitive Multimode Fiber

### Product Classification

<b>Portfolio</b>	CommScope®
<b>Product Type</b>	Optical fiber
<b>Regional Availability</b>	Asia   Australia/New Zealand   EMEA   Latin America   North America

### Optical Specifications, Wavelength Specific

<b>Standards Compliance</b>	TIA-492AAAC (OM3)
<b>Attenuation, maximum</b>	1.20 dB/km @ 1300 nm 3.00 dB/km @ 850 nm
<b>Differential Mode Delay Note</b>	Superior to TIA-492AAAC and IEC 60793-2-10 at 850 nm
<b>Index of Refraction</b>	1.477 @ 1300 nm 1.482 @ 850 nm
<b>Bandwidth, Laser, minimum</b>	500 MHz-km @ 1300 nm 2000 MHz-km @ 850 nm
<b>Bandwidth, OFL, minimum</b>	500 MHz-km @ 1300 nm 1500 MHz-km @ 850 nm
<b>Backscatter Coefficient</b>	-75.7 dB @ 1300 nm -68.0 dB @ 850 nm

### Physical Specifications

<b>Cladding Diameter</b>	125.0 µm
<b>Cladding Diameter Tolerance</b>	±1.0 µm
<b>Cladding Non-Circularity, maximum</b>	0.7 %
<b>Coating Diameter (Colored)</b>	242 µm
<b>Coating Diameter Tolerance (Colored)</b>	±7 µm
<b>Coating/Cladding Concentricity Error, maximum</b>	10 µm
<b>Core Diameter</b>	50.0 µm
<b>Core Diameter Tolerance</b>	±2.5 µm
<b>Core/Clad Offset, maximum</b>	1.0 µm

### Optical Specifications, General

<b>Numerical Aperture</b>	0.200
<b>Numerical Aperture Tolerance</b>	±0.015
<b>Point Defects, maximum</b>	0.20 dB
<b>Zero Dispersion Slope, maximum</b>	0.105 ps/[km-nm-nm]
<b>Zero Dispersion Wavelength, maximum</b>	1340 nm
<b>Zero Dispersion Wavelength, minimum</b>	1295 nm

## Mechanical Specifications

<b>Coating Strip Force, maximum</b>	8.9 N   2.0 lbf
<b>Coating Strip Force, minimum</b>	1.3 N   0.3 lbf
<b>Dynamic Fatigue Parameter, minimum</b>	25
<b>Macrobanding, 15 mm mandrel, 2 turns</b>	0.20 dB @ 850 nm 0.50 dB @ 1300 nm
<b>Macrobanding, 30 mm mandrel, 2 turns</b>	0.10 dB @ 850 nm 0.30 dB @ 1300 nm
<b>Proof Test</b>	689.48 N/mm <sup>2</sup>   100000.00 psi

## Environmental Specifications

<b>Heat Aging, maximum</b>	0.10 dB/km @ 85 °C
<b>Temperature Dependence, maximum</b>	0.10 dB/km
<b>Temperature Humidity Cycling, maximum</b>	0.10 dB/km
<b>Water Immersion, maximum</b>	0.10 dB/km @ 23 °C

## Regulatory Compliance/Certifications

<b>Agency</b>	<b>Classification</b>
ISO 9001:2015	Designed, manufactured and/or distributed under this quality management system



### \* Footnotes

<b>Temperature Dependence, maximum</b>	Temperature dependence is conducted at -60 °C to +85 °C (-76 °F to +185 °F)
<b>Temperature Humidity Cycling, maximum</b>	Temperature humidity cycling is conducted at -10 °C to +85 °C (+14 °F to +185 °F) up to 95% relative humidity