



Powered Fiber Cable, OS2, 2 Fibers, Indoor/Outdoor, 16AWG Conductor, meter

- Easy peel, stranded conductors for maximum cable flexibility and rapid access
- Polarization indentation along one side of the cable for polarity identification
- No special tools or mounting hardware required - usage of a standard "FTTH" pressure clamp for aerial installation
- Easy split of cable into three separate sections for separate routing in closures, as needed for installation
- Riser/LSZH jacket for indoor/outdoor applications

Product Classification

Product Series	PFC
Product Type	Hybrid cable
Regional Availability	Asia Australia/New Zealand EMEA Latin America North America

Standards And Qualifications

Cable Qualification Standards	Telcordia GR-20-CORE Issue 4
EN50575 CPR Cable EuroClass	Dca s1a d1 a1

General Specifications

Cable Type	Stranded indoor/outdoor
Conductor Gauge	16 AWG
Ordering Note	Minimum order quantity is 500 meter

Construction Materials

Total Fiber Count	2
Fiber Type	G.657.A2 OS2
Jacket Color	Black
Jacket UV Resistance	UV stabilized

Dimensions

Cable Weight	70.0 kg/km
Height Over Jacket	4.30 mm 0.17 in
Width Over Jacket	11.50 mm 0.45 in

Physical Specifications

Minimum Bend Radius, loaded	90.0 mm 3.5 in
Minimum Bend Radius, unloaded	45.0 mm 1.8 in

PFC-S02L16

Tensile Load, long term, maximum 132 N | 30 lbf
Tensile Load, short term, maximum 440 N | 99 lbf
Vertical Rise, maximum 122.0 m | 400.3 ft

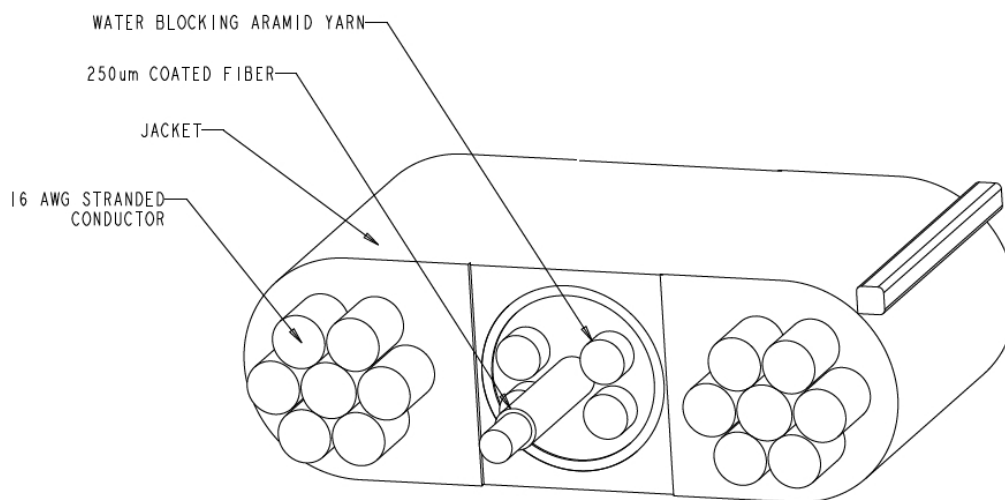
Flame Test Specifications

Flame Test Method IEC 60332-1-2 | IEC 60754-2 | IEC 61034-2 | UL 1666 | UL 444

Environmental Specifications

Environmental Space Low Smoke Zero Halogen (LSZH) | Riser
Installation Temperature -10 °C to +60 °C (+14 °F to +140 °F)
Operating Temperature -40 °C to +70 °C (-40 °F to +158 °F)
Storage Temperature -40 °C to +70 °C (-40 °F to +158 °F)

Outline Drawing



Regulatory Compliance/Certifications

Agency
RoHS 2011/65/EU
CENELEC

Classification
Compliant
EN 50575 compliant, Declaration of Performance (DoP) available



Included Products

CS-8G-PFC (Product Component—not orderable) — Enhanced Low Macrobending, Zero Water Peak, Dispersion-Unshifted Singlemode Fiber (ITU-T G.657.A2, B2)

* Footnotes

Operating Temperature Specification applicable to non-terminated bulk fiber cable

Enhanced Low Macrobending, Zero Water Peak, Dispersion-Unshifted Singlemode Fiber (ITU-T G.657.A2, B2)

Product Classification

Portfolio	CommScope®
Product Type	Optical fiber
Regional Availability	Asia Australia/New Zealand EMEA Latin America North America

Optical Specifications, Wavelength Specific

Standards Compliance	ITU-T G.657.A2 ITU-T G.657.B2
Attenuation, maximum	0.30 dB/km @ 1550 nm 0.40 dB/km @ 1310 nm
Dispersion, maximum	18 ps(nm-km) at 1550 nm 3.5 ps(nm-km) from 1285 nm to 1330 nm at 1310 nm
Mode Field Diameter	8.8 μm @ 1310 nm 9.9 μm @ 1550 nm
Mode Field Diameter Tolerance	±0.4 μm @ 1310 nm ±0.5 μm @ 1550 nm
Index of Refraction	1.467 @ 1310 nm 1.467 @ 1385 nm 1.468 @ 1550 nm
Polarization Mode Dispersion Link Design Value, maximum	0.06 ps/sqrt(km)

Physical Specifications

Cladding Diameter	125.0 μm
Cladding Diameter Tolerance	±0.7 μm
Cladding Non-Circularity, maximum	0.7 %
Coating Diameter (Colored)	254 μm
Coating Diameter (Uncolored)	240 μm
Coating Diameter Tolerance (Colored)	±7 μm
Coating Diameter Tolerance (Uncolored)	±5 μm
Coating/Cladding Concentricity Error, maximum	12 μm
Core/Clad Offset, maximum	0.5 μm

Optical Specifications, General

Cabled Cutoff Wavelength, maximum	1260 nm
Point Defects, maximum	0.10 dB
Zero Dispersion Slope, maximum	0.092 ps/[km-nm-nm]
Zero Dispersion Wavelength, maximum	1322 nm
Zero Dispersion Wavelength, minimum	1302 nm

Mechanical Specifications

Coating Strip Force, maximum	8.9 N 2.0 lbf
Coating Strip Force, minimum	1.3 N 0.3 lbf
Dynamic Fatigue Parameter, minimum	20
Fiber Curl, minimum	4.0 m 13.1 ft
Macrobending, 15 mm mandrel, 1 turn	0.50 dB @ 1550 nm 1.00 dB @ 1625 nm
Macrobending, 20 mm mandrel, 1 turn	0.10 dB @ 1550 nm 0.20 dB @ 1625 nm
Macrobending, 30 mm mandrel, 10 turns	0.03 dB @ 1550 nm 0.10 dB @ 1625 nm
Proof Test	689.48 N/mm ² 100000.00 psi

Environmental Specifications

Heat Aging, maximum	0.05 dB/km @ 85 °C
Temperature Dependence, maximum	0.05 dB/km
Temperature Humidity Cycling, maximum	0.05 dB/km
Water Immersion, maximum	0.05 dB/km @ 23 °C

Regulatory Compliance/Certifications

Agency	Classification
ISO 9001:2015	Designed, manufactured and/or distributed under this quality management system



* Footnotes

Temperature Dependence, maximum	Temperature dependence is conducted at -60 °C to +85 °C (-76 °F to +185 °F)
Temperature Humidity Cycling, maximum	Temperature humidity cycling is conducted at -10 °C to +85 °C (+14 °F to +185 °F) up to 95% relative humidity