



Powered Fiber Cable, OS2, 2 Fibers, Indoor/Outdoor, 16AWG Conductor, feet

- Easy peel, stranded conductors for maximum cable flexibility and rapid access
- Polarization indentation along one side of the cable for polarity identification
- No special tools or mounting hardware required - usage of a standard "FTTH" pressure clamp for aerial installation
- Easy split of cable into three separate sections for separate routing in closures, as needed for installation
- Riser/LSZH jacket for indoor/outdoor applications

## Product Classification

<b>Product Series</b>	PFC
<b>Product Type</b>	Hybrid cable
<b>Regional Availability</b>	North America

## Standards And Qualifications

<b>Cable Qualification Standards</b>	Telcordia GR-20-CORE Issue 4
<b>EN50575 CPR Cable EuroClass</b>	Dca   s1a   d1   a1

## General Specifications

<b>Cable Type</b>	Stranded indoor/outdoor
<b>Conductor Gauge</b>	16 AWG
<b>Ordering Note</b>	Minimum order quantity is 1640 feet

## Construction Materials

<b>Total Fiber Count</b>	2
<b>Fiber Type</b>	G.657.A2   OS2
<b>Jacket Color</b>	Black
<b>Jacket UV Resistance</b>	UV stabilized

## Dimensions

<b>Cable Weight</b>	70.0 kg/km
<b>Height Over Jacket</b>	4.30 mm   0.17 in
<b>Width Over Jacket</b>	11.50 mm   0.45 in

## Physical Specifications

<b>Minimum Bend Radius, loaded</b>	90.0 mm   3.5 in
<b>Minimum Bend Radius, unloaded</b>	45.0 mm   1.8 in

# PFC-S02L16F

**Tensile Load, long term, maximum** 132 N | 30 lbf  
**Tensile Load, short term, maximum** 440 N | 99 lbf  
**Vertical Rise, maximum** 122.0 m | 400.3 ft

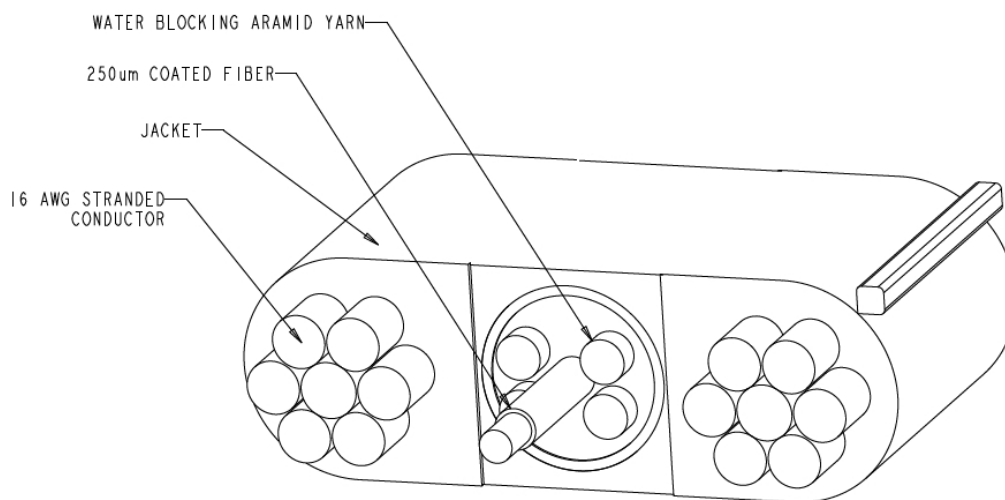
## Flame Test Specifications

**Flame Test Method** IEC 60332-1-2 | IEC 60754-2 | IEC 61034-2 | UL 1666 | UL 444

## Environmental Specifications

**Environmental Space** Low Smoke Zero Halogen (LSZH) | Riser  
**Installation Temperature** -10 °C to +60 °C (+14 °F to +140 °F)  
**Operating Temperature** -40 °C to +70 °C (-40 °F to +158 °F)  
**Storage Temperature** -40 °C to +70 °C (-40 °F to +158 °F)

## Outline Drawing



## Regulatory Compliance/Certifications

**Agency**  
RoHS 2011/65/EU  
CENELEC

**Classification**  
Compliant  
EN 50575 compliant, Declaration of Performance (DoP) available



## Included Products

CS-8G-PFC (Product Component—not orderable) — Enhanced Low Macrobending, Zero Water Peak, Dispersion-Unshifted Singlemode Fiber (ITU-T G.657.A2, B2)

## \* Footnotes

**Operating Temperature** Specification applicable to non-terminated bulk fiber cable