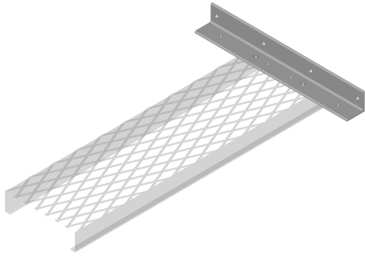


MF-511



Wall Support Angle, single or double

Product Classification

Product Type Wall mount kit

Dimensions

Height 76.2 mm | 3.0 in

Length 660.4 mm | 26.0 in

Weight 5.0 kg | 11.0 lb

General Specifications

Application Wall mount

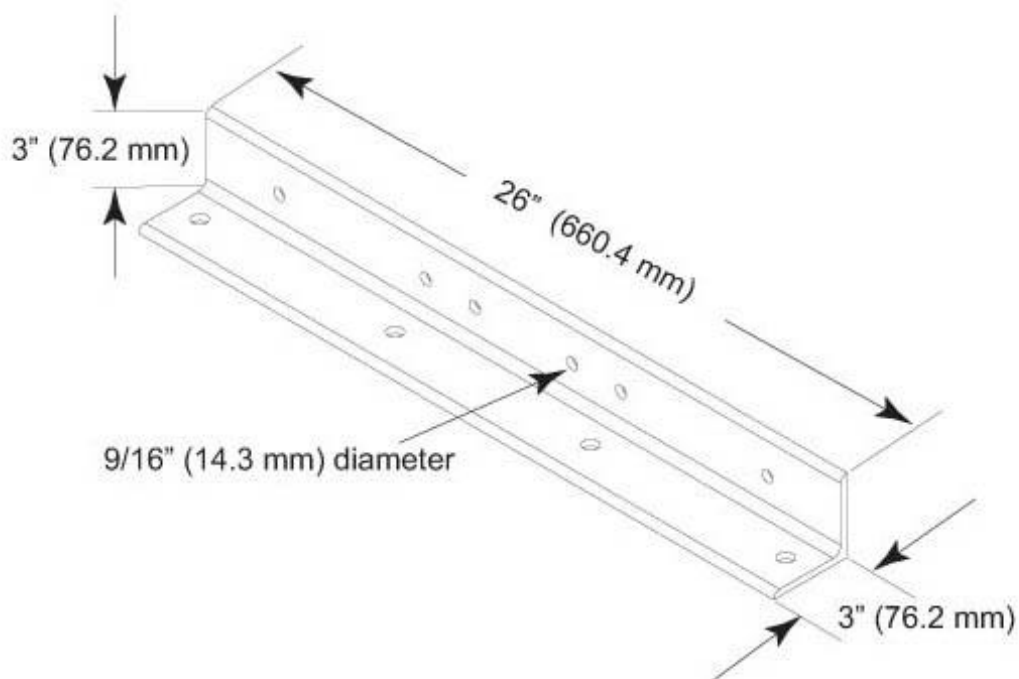
Includes Angle brackets

Material Type Hot dip galvanized steel

Mounting All bridge channel types

Package Quantity 1

Outline Drawing



Regulatory Compliance/Certifications

Agency

ISO 9001:2015

Classification

Designed, manufactured and/or distributed under this quality management system

