

Safety Grated Waveguide Bridge Kit, 12 in x 10 ft, with two 10 ft 6 in base shoe posts

Product Classification

Product Type Waveguide bridge kit

Dimensions

Height 3200.4 mm | 126.0 in

Length 3.0 m | 10.0 ft

Weight 139.7 kg | 308.0 lb

General Specifications

Application Base shoe

Cable Runs, quantity 12

Includes Caps | Channel | Hardware | Posts | Support brackets | Trapeze

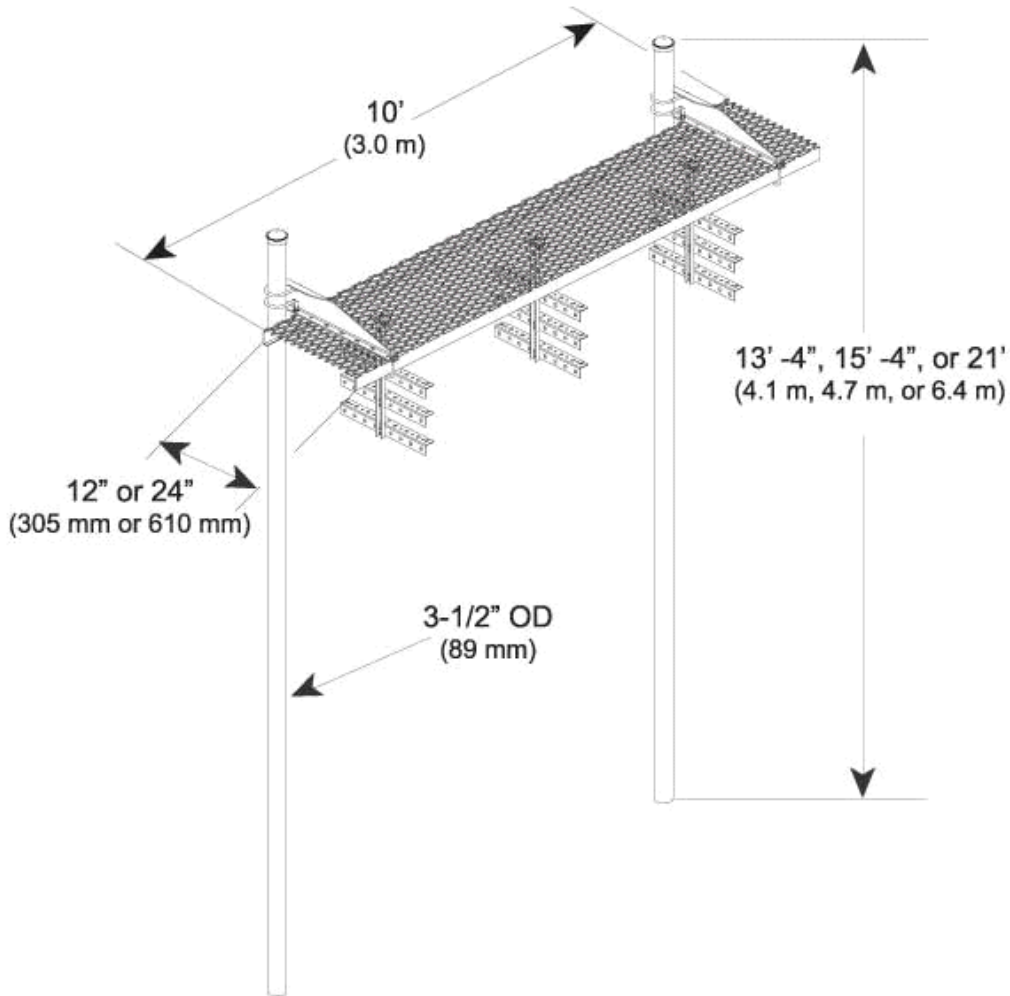
Material Type Hot dip galvanized steel

Package Quantity 1

Pipe Length 3.2 m | 10.5 ft

Pipe, quantity 2

Outline Drawing



Regulatory Compliance/Certifications

Agency	Classification
ISO 9001:2015	Designed, manufactured and/or distributed under this quality management system



Included Products

WB-K110-S

WB-T12-3 — Trapeze Kit, triple tee, 12 in wide, three rungs

WB-LB12-3 — Waveguide Bridge Support Bracket, 12 in wide for 3-1/2 in OD legs

MF-126 — Base Shoe Pipe Column, 10 ft 6 in

- MT-287 — Wedge Anchor, 3/4 in x 7 in

WB-CY110 — Safety Grated Waveguide Bridge Channel, 12 in x 10 ft