

Safety Grated Waveguide Bridge Kit, 24 in x 10 ft, with two 10 ft 6 in base shoe posts

## Product Classification

**Product Type** Waveguide bridge kit

## Dimensions

**Height** 3200.4 mm | 126.0 in

**Length** 3.0 m | 10.0 ft

**Weight** 166.5 kg | 367.0 lb

## General Specifications

**Application** Base shoe

**Cable Runs, quantity** 24

**Includes** Caps | Channel | Hardware | Posts | Support brackets | Trapeze

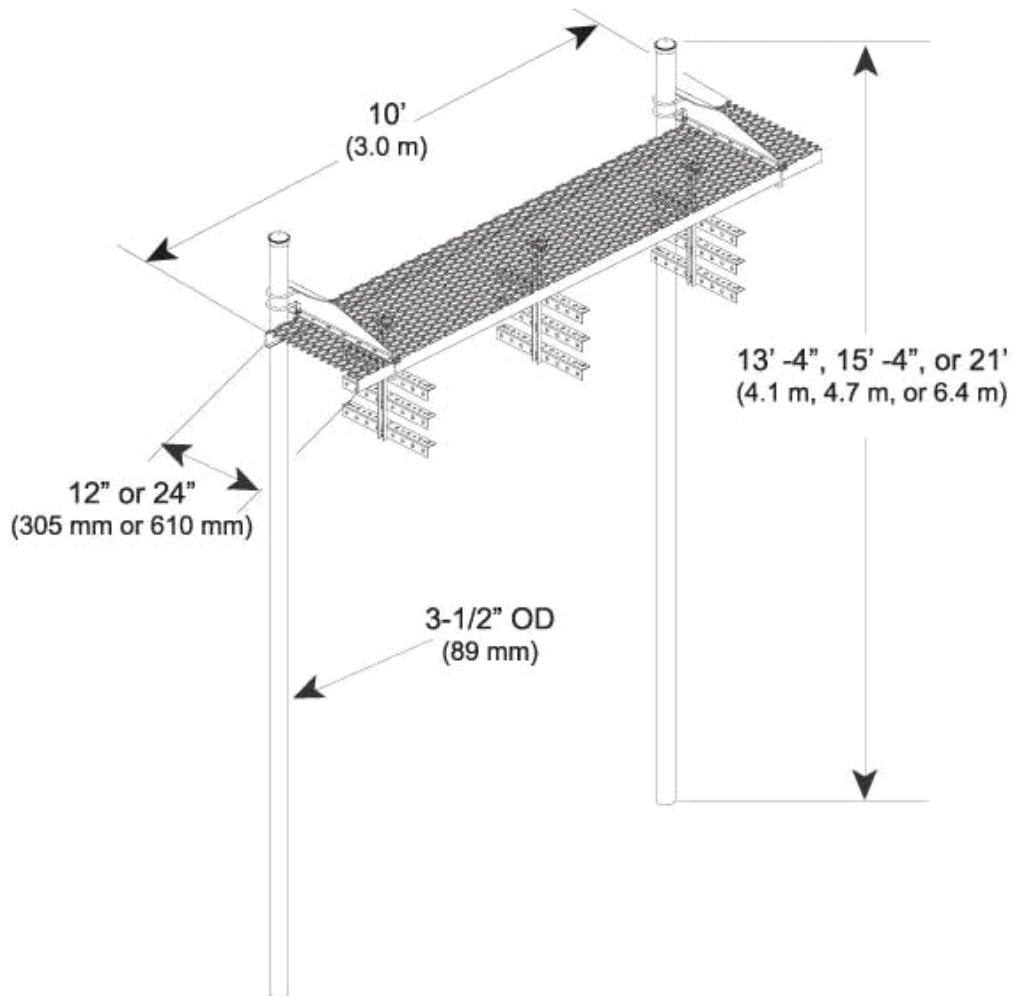
**Material Type** Hot dip galvanized steel

**Package Quantity** 1

**Pipe Length** 3.2 m | 10.5 ft

**Pipe, quantity** 2

## Outline Drawing



## Regulatory Compliance/Certifications

Agency	Classification
ISO 9001:2015	Designed, manufactured and/or distributed under this quality management system



## Included Products

# WB-K210-S

---

WB-T24-3 — Trapeze Kit, triple tee, 24 in wide, three rungs

WB-LB24-3 — Waveguide Bridge Support Bracket, 24 in wide for 3-1/2 in OD legs

MF-126 — Base Shoe Pipe Column, 10 ft 6 in

- MT-287 — Wedge Anchor, 3/4 in x 7 in

WB-CY210 — Safety Grated Waveguide Bridge Channel, 24 in x 10 ft