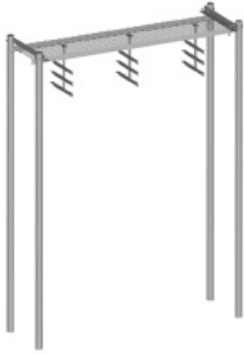


WB-K410-B



Safety Grated Waveguide Bridge Kit, 24 in x 10 ft, with four 13 ft 4 in direct burial posts

Product Classification

Product Type Waveguide bridge kit

Dimensions

Height 4064.0 mm | 160.0 in

Length 3.0 m | 10.0 ft

Weight 270.4 kg | 596.0 lb

General Specifications

Application Direct burial

Cable Runs, quantity 24

Includes Caps | Channel | Hardware | Posts | Support brackets | Trapeze

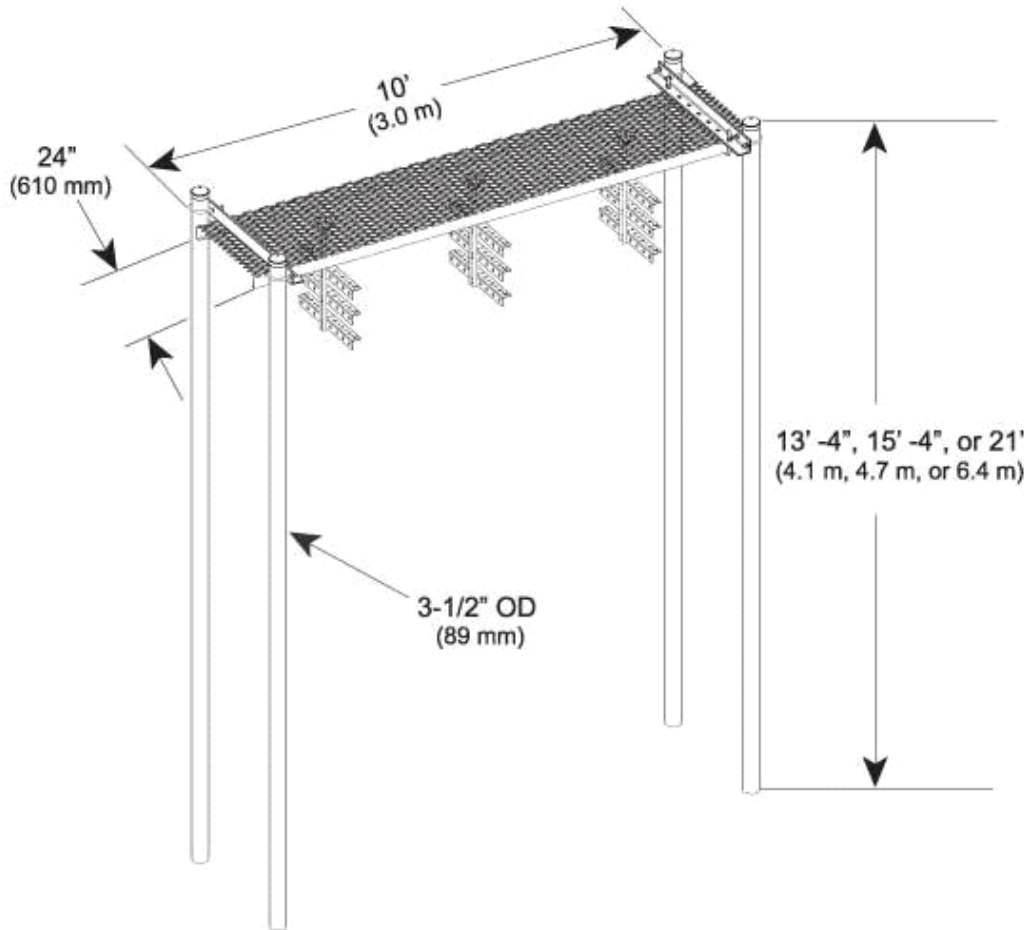
Material Type Hot dip galvanized steel

Package Quantity 1

Pipe Length 4.1 m | 13.3 ft

Pipe, quantity 4

Outline Drawing



Regulatory Compliance/Certifications

Agency

ISO 9001:2015

Classification

Designed, manufactured and/or distributed under this quality management system



Included Products

WB-T24-3 — Trapeze Kit, triple tee, 24 in wide, three rungs

WB-CS24-3 — Safety Grated Channel Support, 24 in wide for 3-1/2 in OD pipe

WB-K410-B

MF-130 — Direct Burial Pipe Column, 13 ft 4 in

WB-CY210 — Safety Grated Waveguide Bridge Channel, 24 in x 10 ft