



Safety Grated Waveguide Bridge Kit, 24 in x 10 ft, with four 10 ft 6 in base shoe posts

Product Classification

Product Type Waveguide bridge kit

Dimensions

Height 3200.4 mm | 126.0 in

Length 3.0 m | 10.0 ft

Weight 254.0 kg | 560.0 lb

General Specifications

Application Base shoe

Cable Runs, quantity 24

Includes Caps | Channel | Hardware | Posts | Support brackets | Trapeze

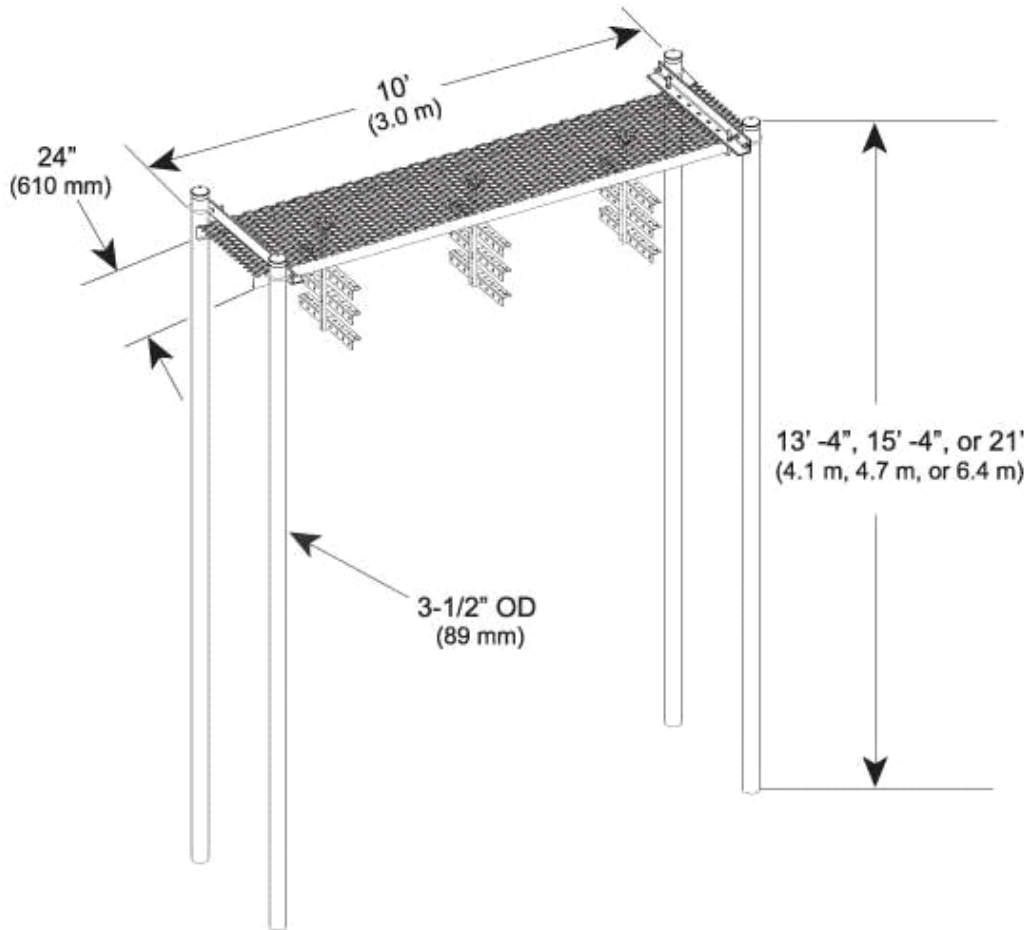
Material Type Hot dip galvanized steel

Package Quantity 1

Pipe Length 3.2 m | 10.5 ft

Pipe, quantity 4

Outline Drawing



Regulatory Compliance/Certifications

Agency

ISO 9001:2015

Classification

Designed, manufactured and/or distributed under this quality management system



Included Products

WB-T24-3 — Trapeze Kit, triple tee, 24 in wide, three rungs

WB-CS24-3 — Safety Grated Channel Support, 24 in wide for 3-1/2 in OD pipe

WB-K410-S

MF-126 — Base Shoe Pipe Column, 10 ft 6 in

- MT-287 — Wedge Anchor, 3/4 in x 7 in

WB-CY210 — Safety Grated Waveguide Bridge Channel, 24 in x 10 ft