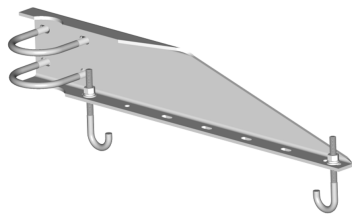


WB-LB24-3



Waveguide Bridge Support Bracket, 24 in wide for 3-1/2 in OD legs

Product Classification

Product Type Support bracket

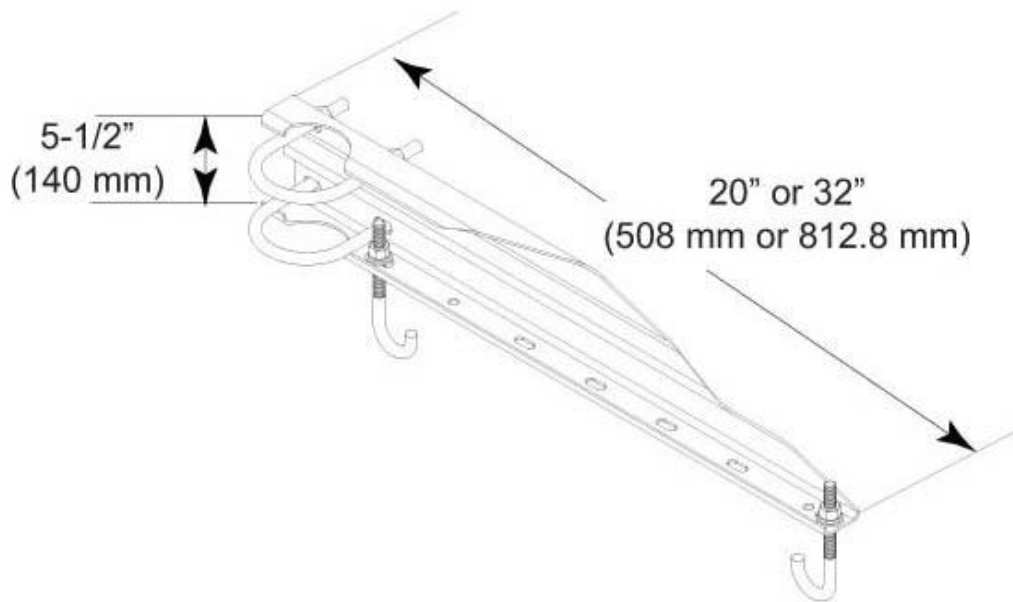
Dimensions

Height 50.8 mm | 2.0 in
Length 152.4 mm | 6.0 in
Weight 7.3 kg | 16.0 lb

General Specifications

Application Waveguide bridge kit, 24 in
Cable Runs, quantity 24
Includes Brackets | Hardware
Material Type Hot dip galvanized steel
Mounting Pipe, 88.9 mm (3-1/2 in) OD
Package Quantity 1

Outline Drawing



Regulatory Compliance/Certifications

Agency

ISO 9001:2015

Classification

Designed, manufactured and/or distributed under this quality management system

