

Waveguide Bridge Splice

## Product Classification

**Product Type** Splices and splicing kits

## Dimensions

**Height** 76.2 mm | 3.0 in

**Length** 228.6 mm | 9.0 in

**Weight** 3.5 kg | 7.8 lb

## General Specifications

**Application** Waveguide bridge kit, 24 in

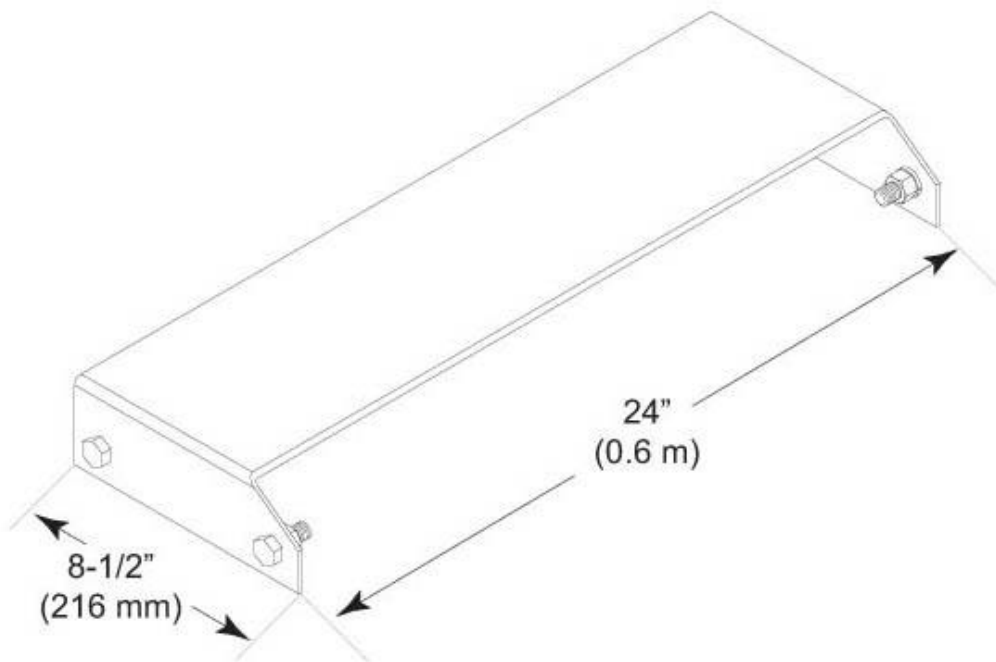
**Includes** Extension | Hardware

**Material Type** Hot dip galvanized steel

**Mounting** Waveguide bridge kit

**Package Quantity** 1

## Outline Drawing



## Regulatory Compliance/Certifications

**Agency**

ISO 9001:2015

**Classification**

Designed, manufactured and/or distributed under this quality management system

