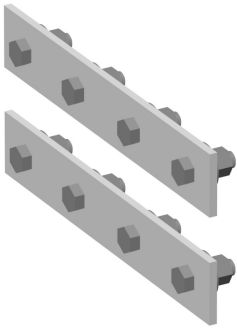


Straight Splice for Safety Grated Channel, 24 in



Product Classification

Product Type Splices and splicing kits

Dimensions

Height 50.8 mm | 2.0 in

Length 304.8 mm | 12.0 in

Weight 2.8 kg | 6.2 lb

General Specifications

Application Waveguide bridge kit, 24 in

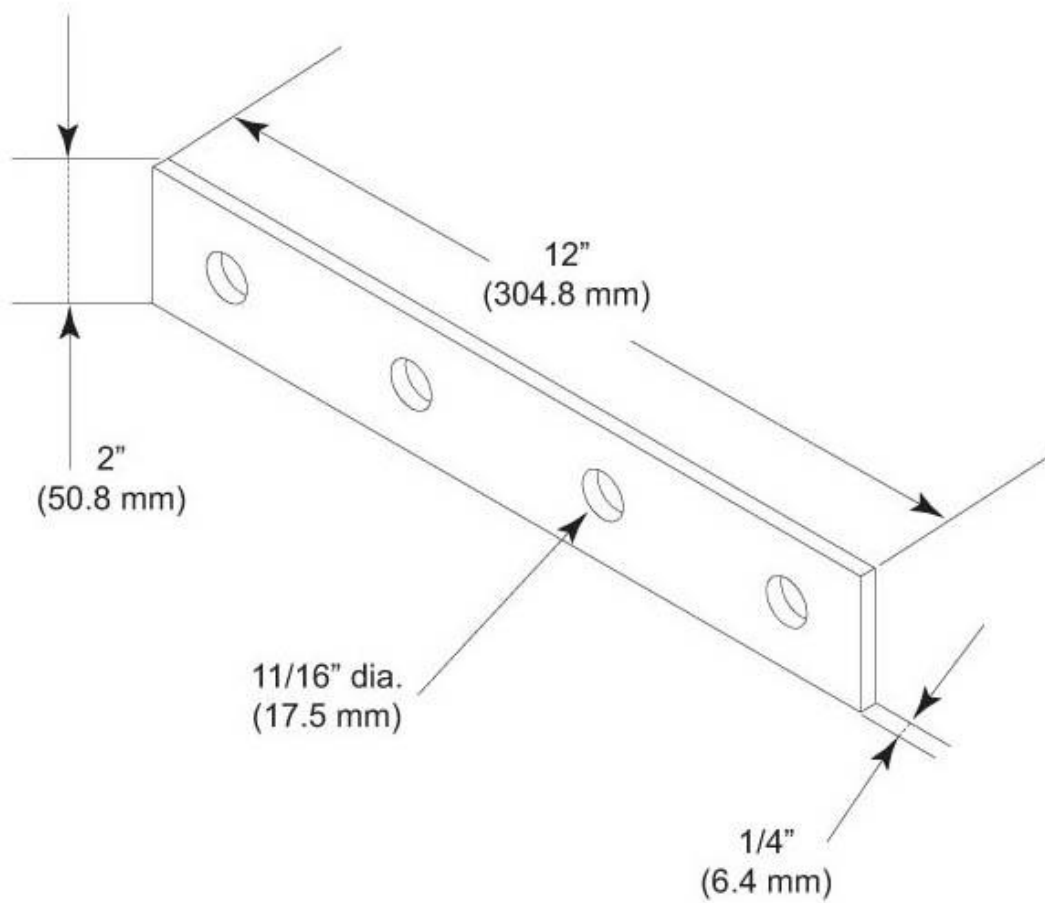
Includes Hardware | Splices

Material Type Hot dip galvanized steel

Mounting Safety grated waveguide bridge

Package Quantity 1

Outline Drawing



Regulatory Compliance/Certifications

Agency

ISO 9001:2015

Classification

Designed, manufactured and/or distributed under this quality management system

