

4

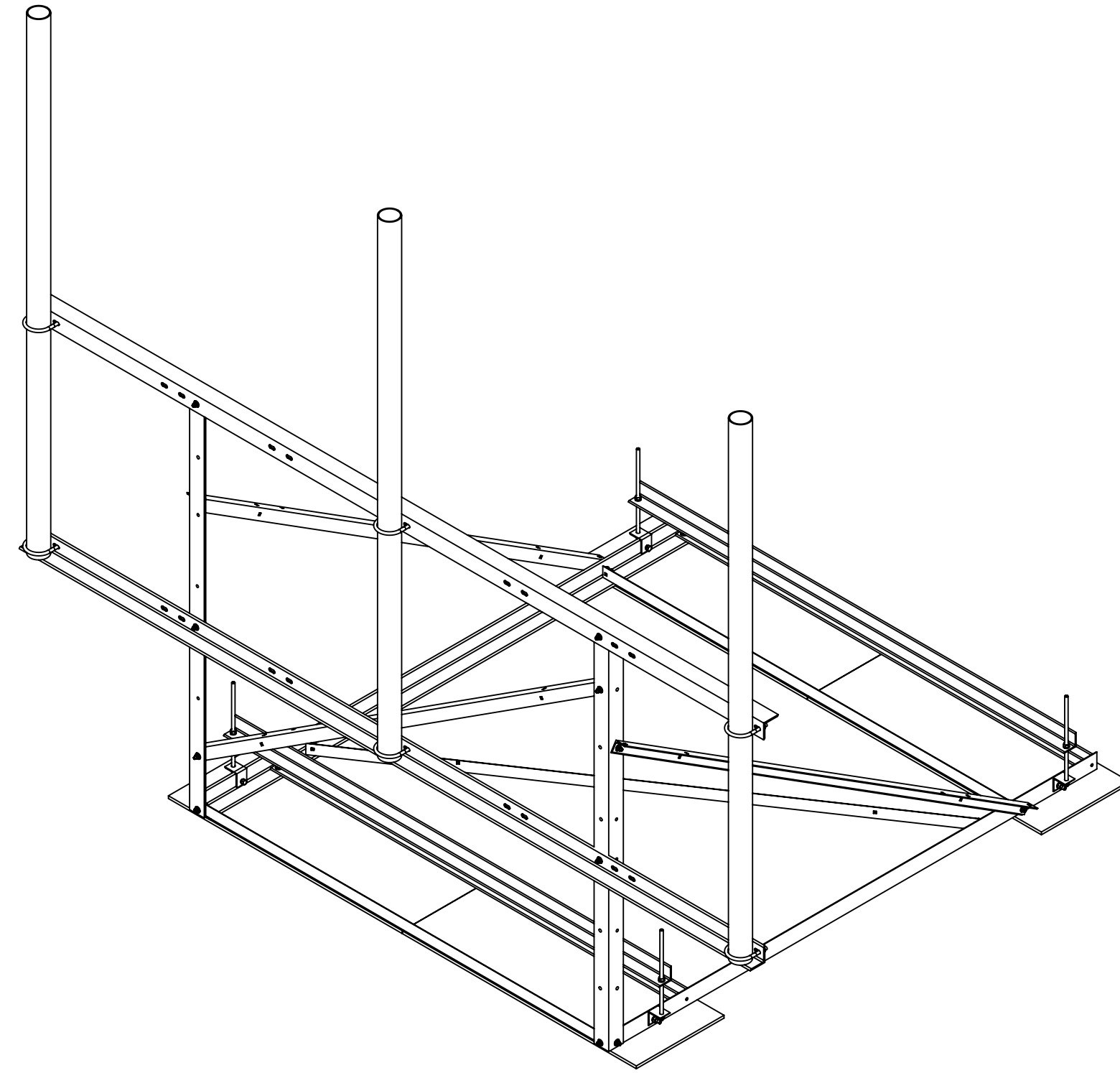
3

2

1

- 1.0 GENERAL NOTES
  - 1.1 ALL METRIC DIMENSIONS ARE IN BRACKETS [X. X]
  - 1.2 FOR PATENT INFO: <https://www.cs-pat.com>
- 2.0 DESIGN NOTES
- 3.0 MANUFACTURING/SPECIAL REQUIREMENTS
  - 3.1 TIGHTEN ALL BOLTS SECURING FLAT PLATES BY THE TURN-OF-NUT METHOD. TIGHTEN ALL U-BOLTS USING TURN-OF-NUT METHOD WITH ATTENTION TO LEAVE EQUAL DISTANCE AND EQUAL FORCE ON EACH LEG OF THE U-BOLT.
  - 3.2 FIELD DRILL AS REQUIRED.
- 4.0 TEST
- 5.0 PACKAGING
  - 5.1 PACKAGING SHALL MEET COMMSCOPE REQUIREMENTS PER DOCUMENT IS-PL-3005
  - 5.2 PRINTED DOCUMENT TO BE PLACED INSIDE POLYBAG AND THEN IN SHIPPING CONTAINER
  - 5.3 EXTRA HARDWARE MAY BE SUPPLIED, BAGGED AND SHIPPED

REVISIONS			
REV.	DESCRIPTION	DATE	APPROVED
B	CREATED INDIVIDUAL DRAWING	JL1183 22JUL24	BA1025 40200652CMO



<b>COMMSCOPE, INC. OF NORTH CAROLINA</b>										
TOLERANCES					SAP MATERIAL MASTER					
1 PLACE .X[X] ± .12[3.0]			3 PLACE .XXX[X] ± .03[0.76]		<b>RF-NL12-3-96</b>					
2 PLACE .XX[X] ± .06[1.5]			ANGLES ± 2°							
FINISH					MATERIAL					
UNLESS OTHERWISE SPECIFIED DIMENSIONS ARE IN INCHES INTERPRET PER ANSI Y 14.5M-1994		NAME	DATE	TITLE						
	CE	JL1183	22JUL24	<b>NON-PEN ROOF FRAME, 12'-6" FACE, 96" PIPE</b>						
	RW	JL1183	07/28/2024							
	AD	YMENG	07/29/2024							
	RE	JL1183	07/29/2024							
ECN	40200652CMO									
SCALE		DOCUMENT NO.								
<b>1:20</b>		<b>RF-NL12-3-96</b>								
SIZE	Auth Group	INSL	MODEL			DRAWING				SHEET
<b>C</b>			VERSION	STATUS	REVISION	VERSION	STATUS	REVISION	1 OF 4	
			01	RE	C	00	RE	B		

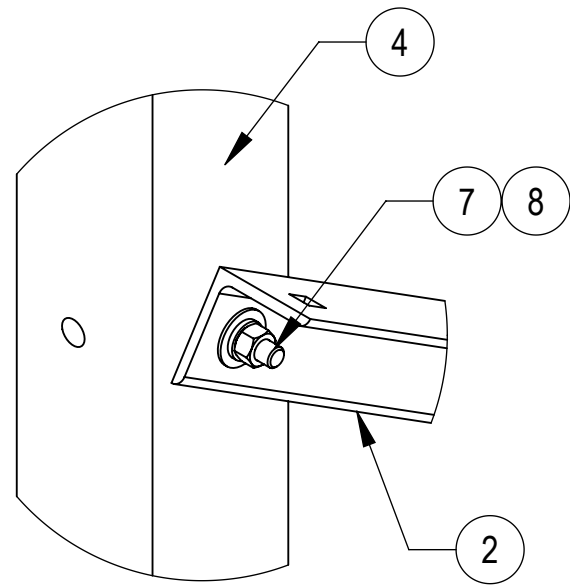
DENSITY		lbs/in³
MASS	725.59	lbs
VOLUME	4076.64	in³
SURFACE AREA	28859.26	in²
HEIGHT	129.0"	
LENGTH	150.0"	
WIDTH	105.5"	

4

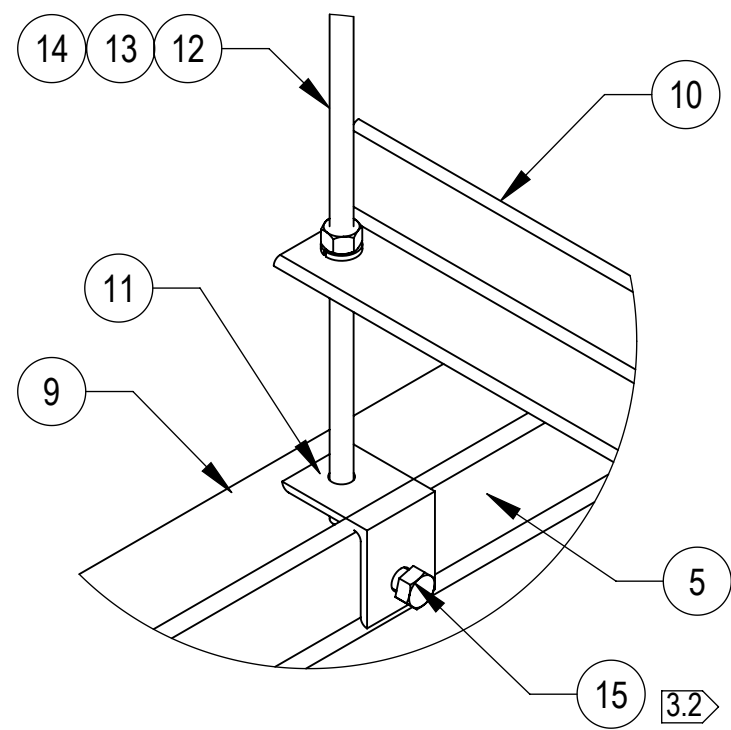
3

2

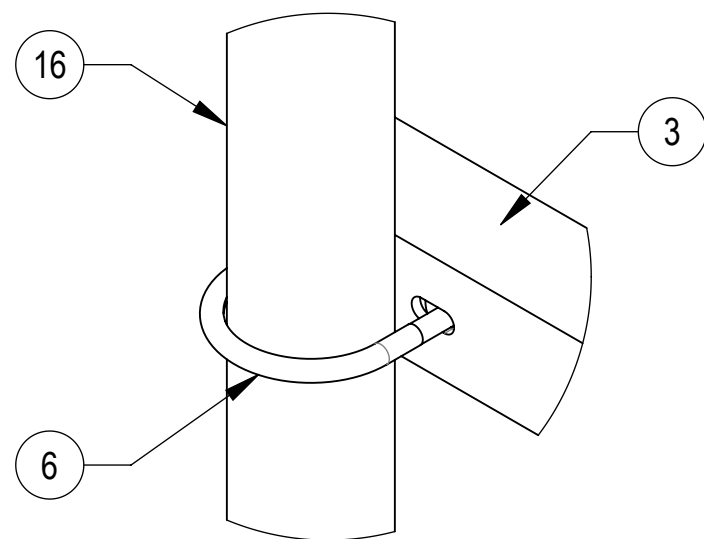
1



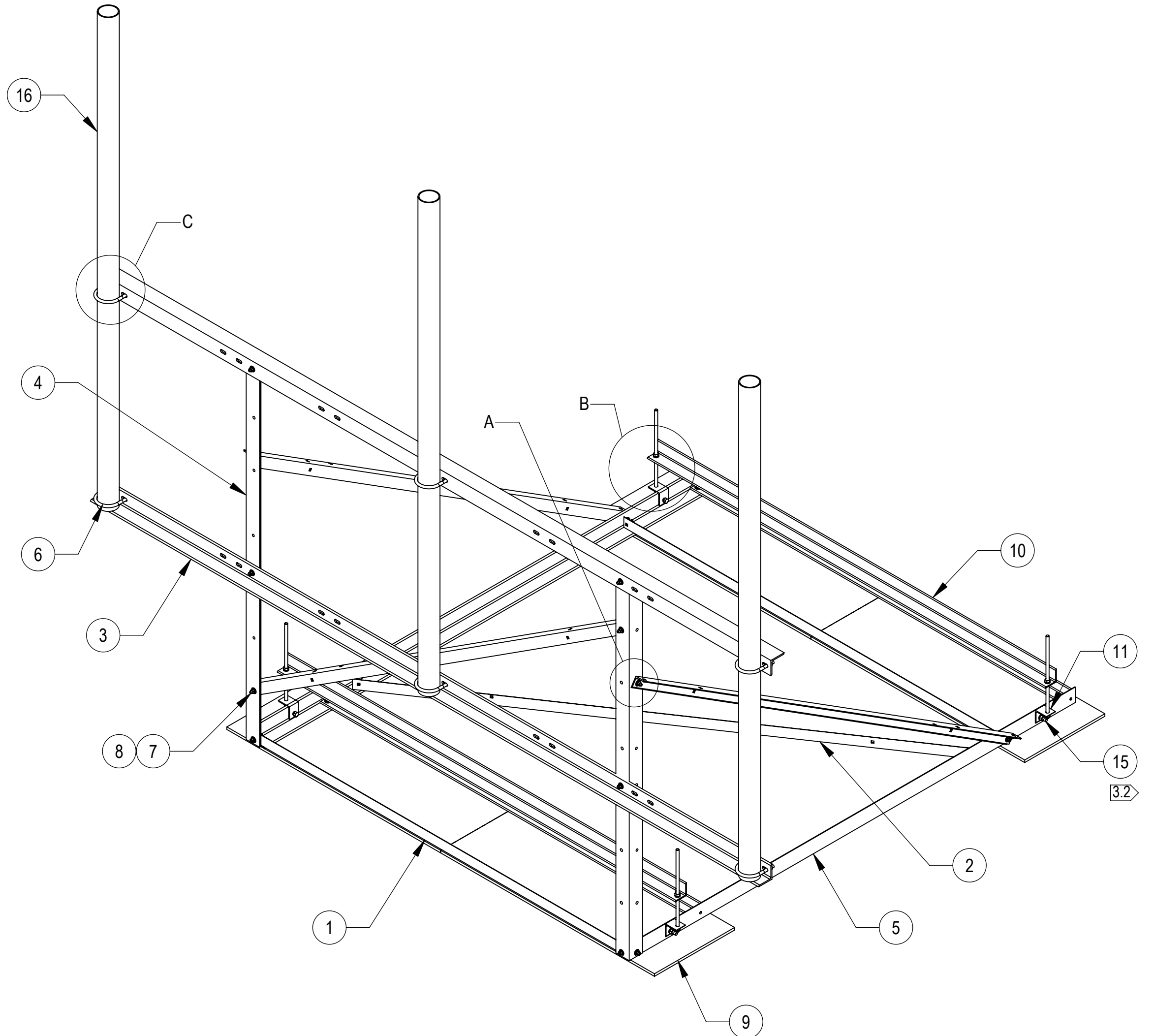
DETAIL A  
SCALE 1 : 3



DETAIL B  
SCALE 1 : 4



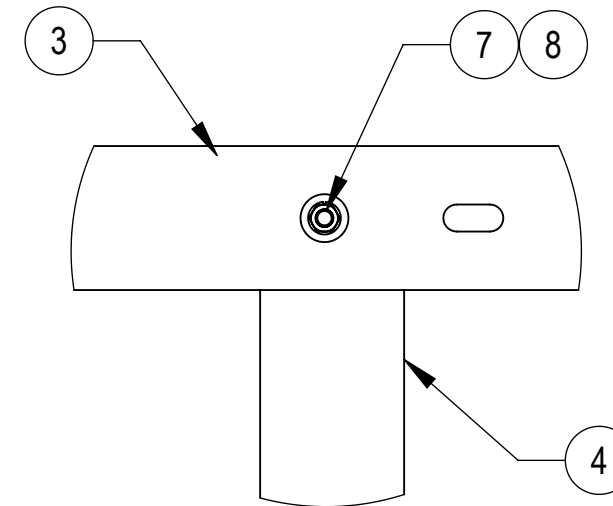
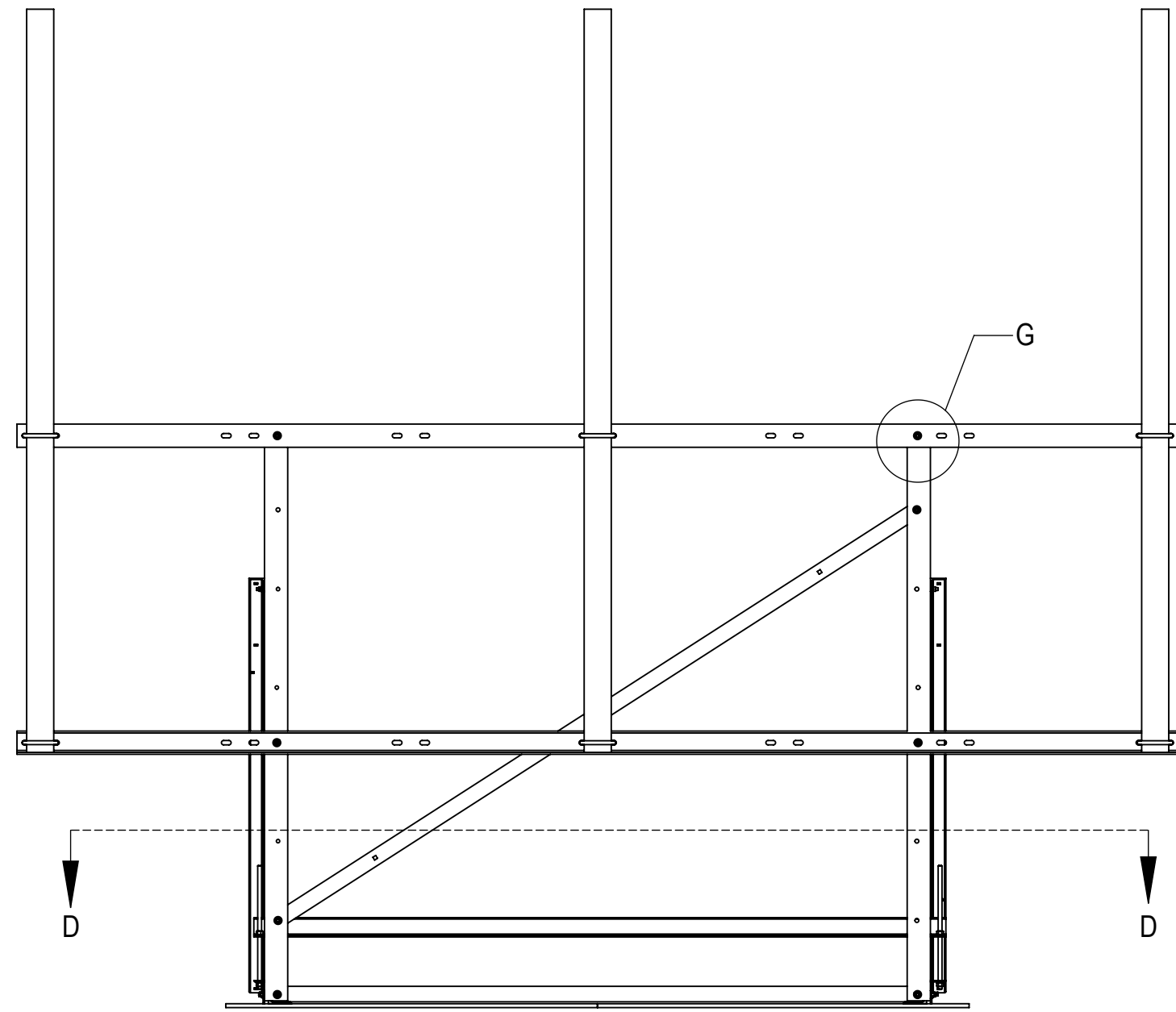
DETAIL C  
SCALE 1 : 4



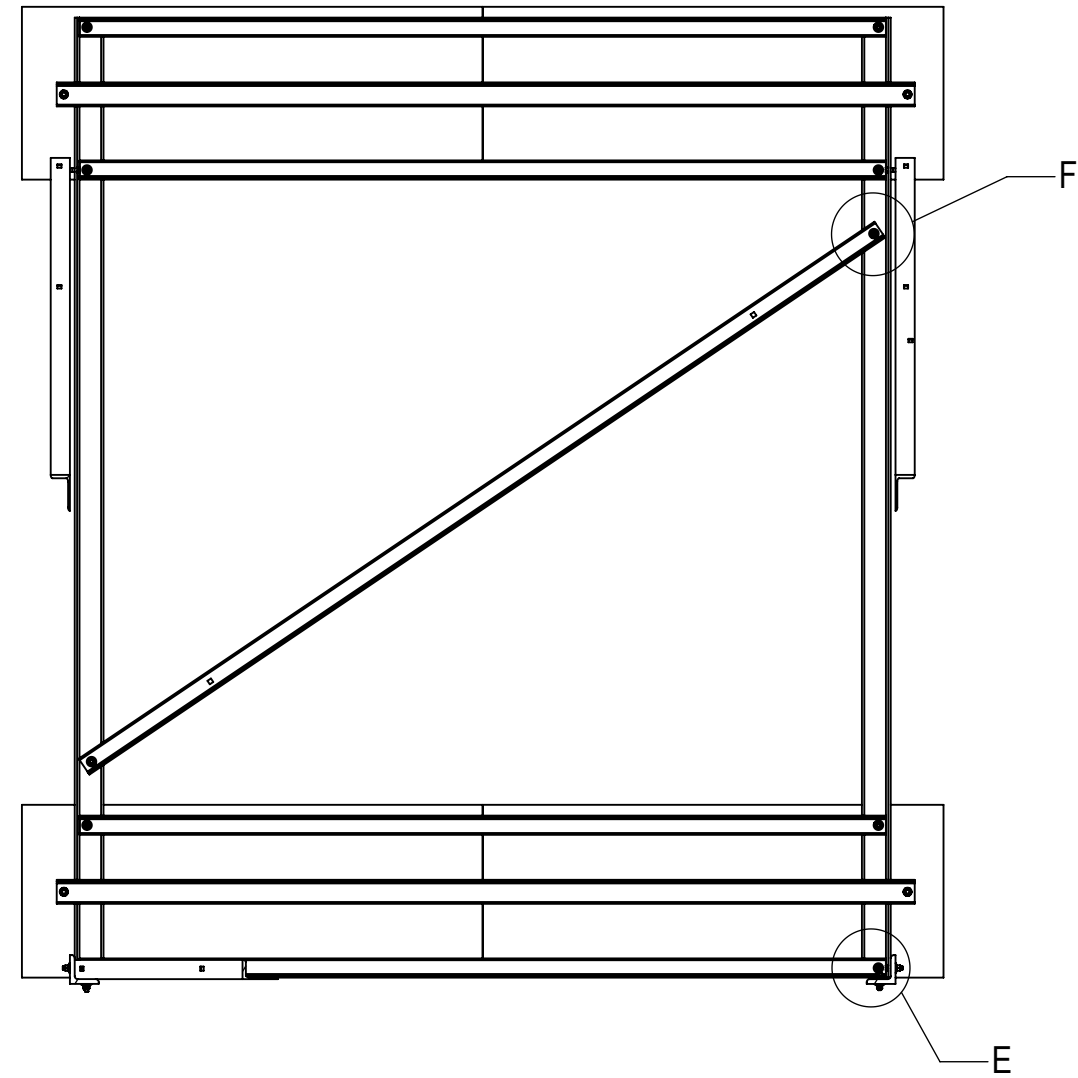
COMPONENT PART NUMBERS PROVIDED FOR ASSEMBLY PURPOSES;  
INDIVIDUAL COMPONENTS MAY BE SHIPPED AS PARTS WITHIN AN INCLUDED KIT.

ITEM	PART NO.	DESCRIPTION	QTY.	WEIGHT	NOTE NO.
1	RFNB02	NON-PEN. ROOF MOUNT BASE ANGLE 2	4	16.70 LBS	
2	RFNB03	NON-PEN. ROOF MOUNT BASE ANGLE 3	4	19.84 LBS	
3	MTC9978HD1212	NON-PEN. ROOF MOUNT 12' FACE ANGLE	2	59.55 LBS	
4	RFNL01	NON-PEN. ROOF MOUNT VERTICAL ANGLE	2	56.34 LBS	
5	MTC997807	NON-PEN. ROOF MOUNT BASE ANGLE 7	2	40.03 LBS	
6	GUB-4355	1/2" X 3-5/8" X 5" GALV U-BOLT	6	0.71 LBS	
7	GB-03145	3/8" X 1-1/2" GALV BOLT KIT	24	0.07 LBS	
8	GWF-03	3/8" GALV FLAT WASHER	24	0.01 LBS	
9	MT-F1637	RUBBER MAT .5" X 18" X 48"	4	15.61 LBS	
10	MTC704901	ANTI- THEFT BAR	2	22.51 LBS	
11	MTC8326.01	CLIP ANGLE	4	0.48 LBS	
12	MT37916	1/2" X 16" GALV THREADED ROD	4	0.88 LBS	
13	GWL-04	1/2" GALV LOCK WASHER	8	0.01 LBS	
14	GN-04	1/2" GALV HEX NUT	8	0.04 LBS	
15	GB-0416A	1/2" X 1-3/4" GALV BOLT KIT (A325)	4	0.14 LBS	
16	MT54796	3.5" O.D. X 96" PIPE	3	48.54 LBS	

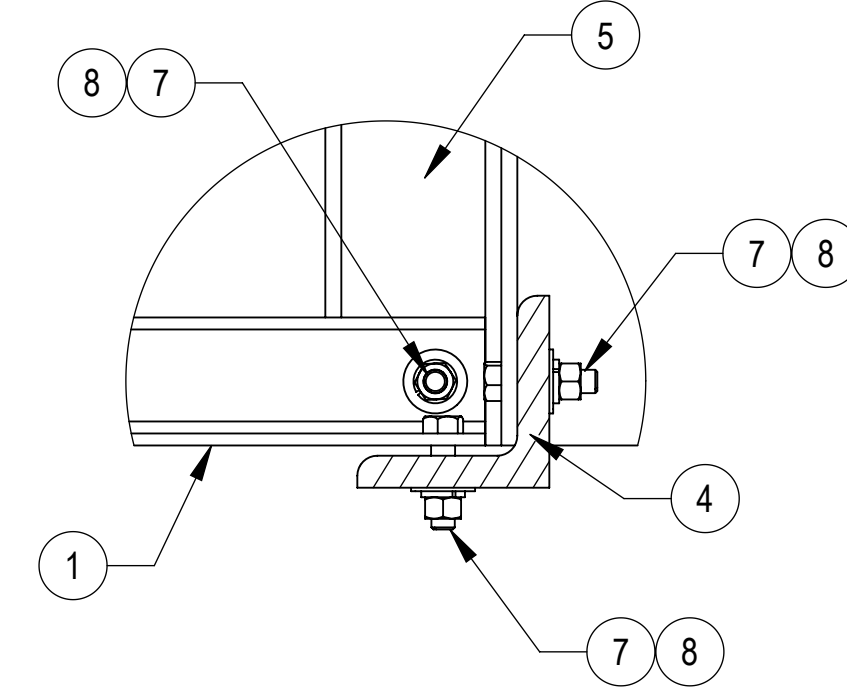
COMMSCOPE, INC. OF NORTH CAROLINA					
TITLE NON-PEN ROOF FRAME, 12'-6" FACE, 96" PIPE					
SIZE C	SCALE 1:20	DOCUMENT NO. RF-NL12-3-96			
DRAWING		REVISION		SHEET	
VERSION 00	STATUS RE	REVISION B	2 OF 4		



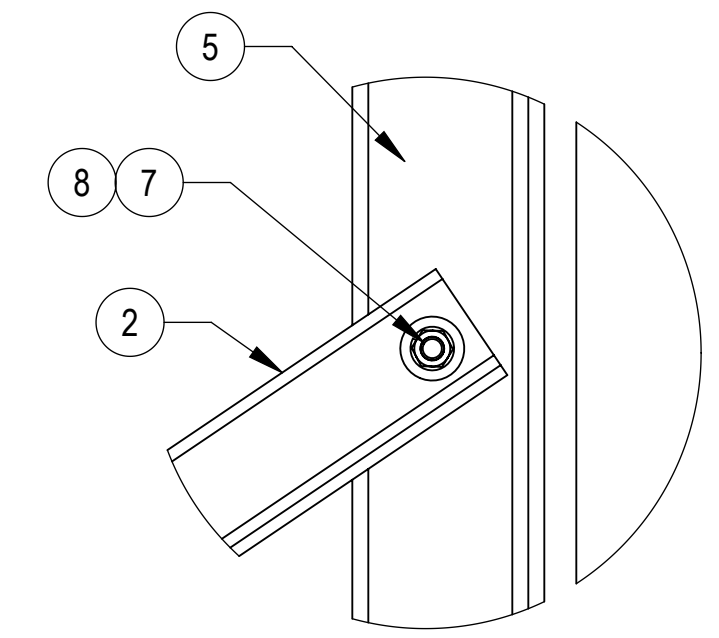
DETAIL G  
SCALE 1 : 4




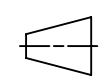
SECTION D-D  
SCALE 1 : 20

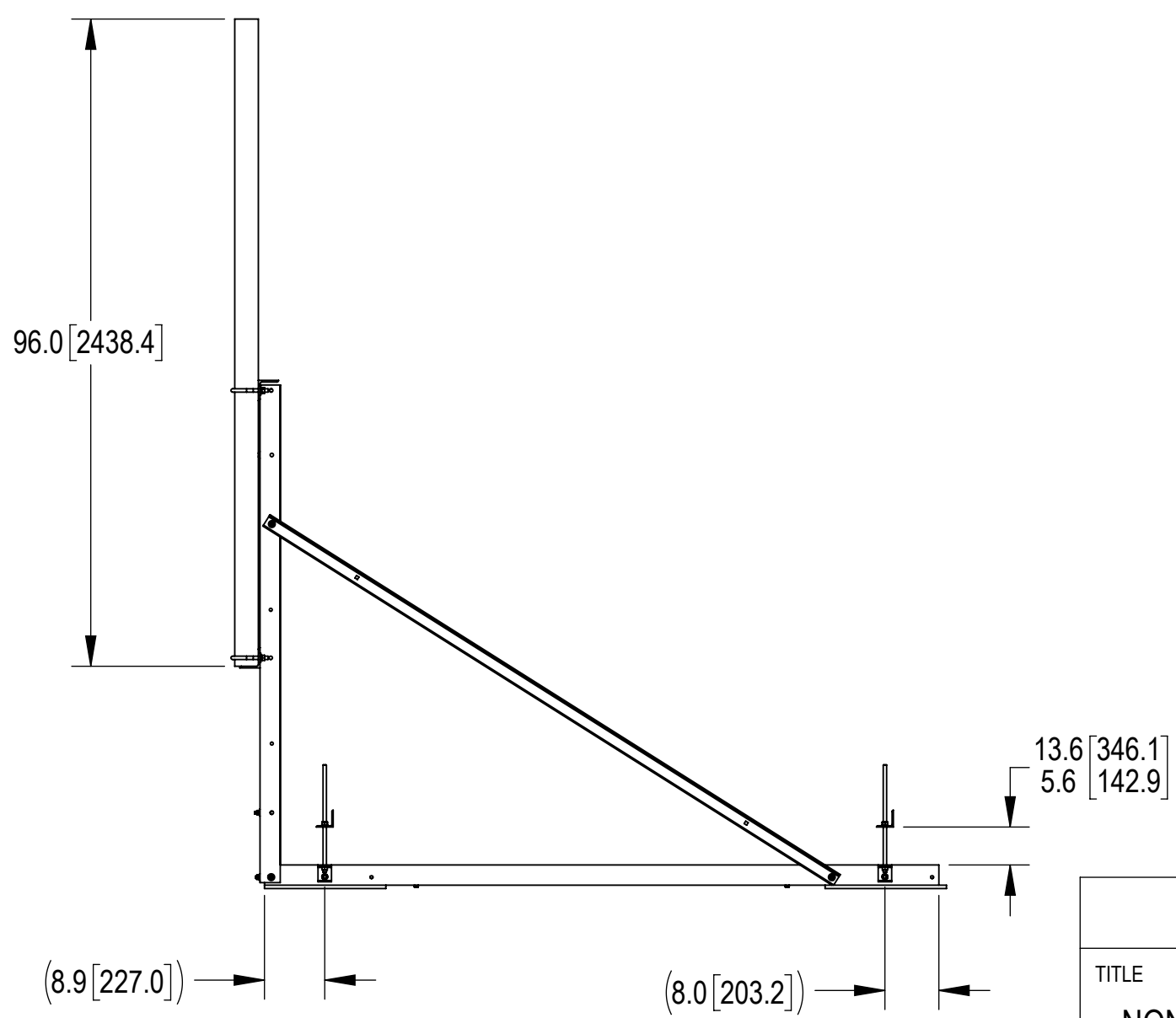
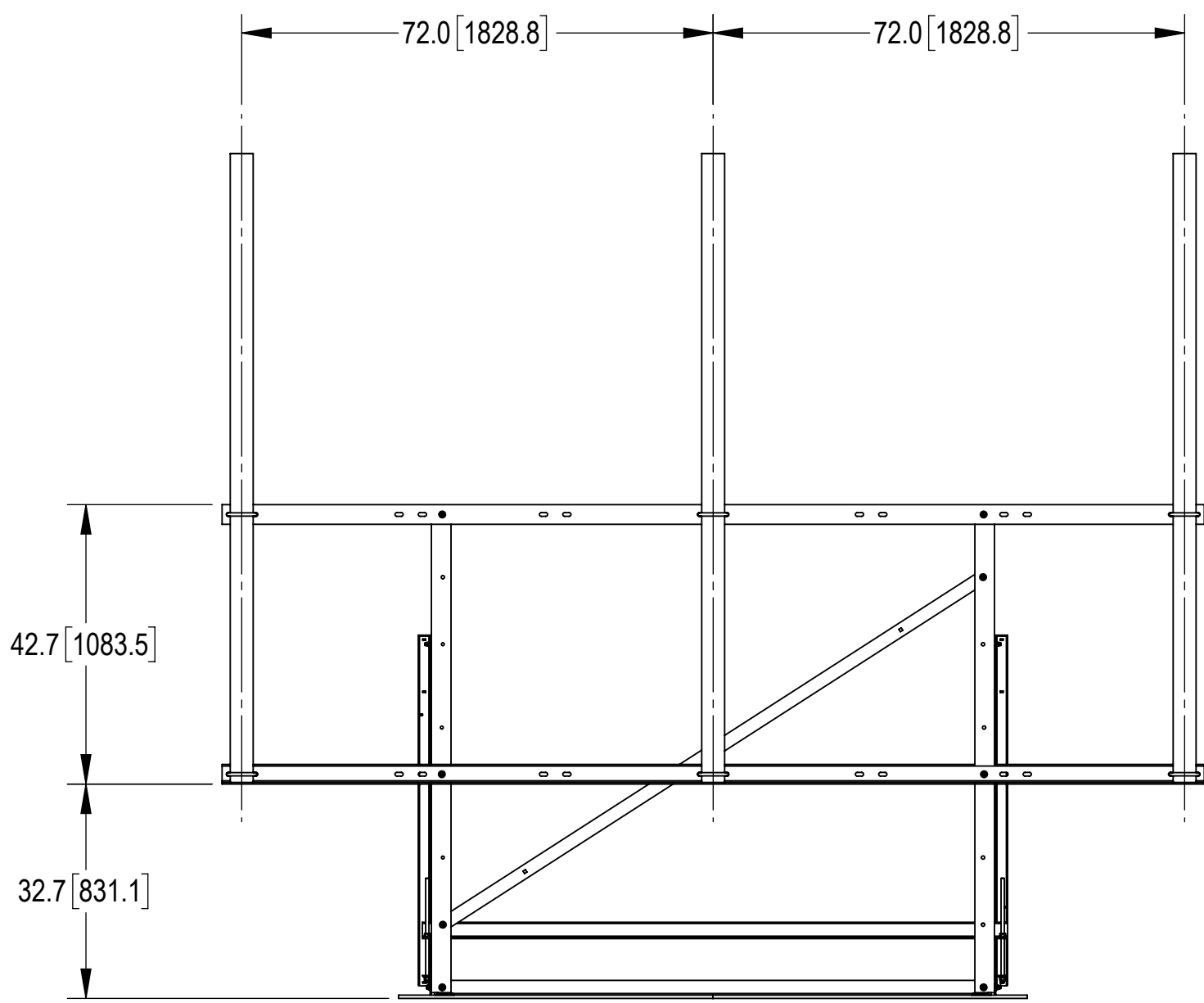
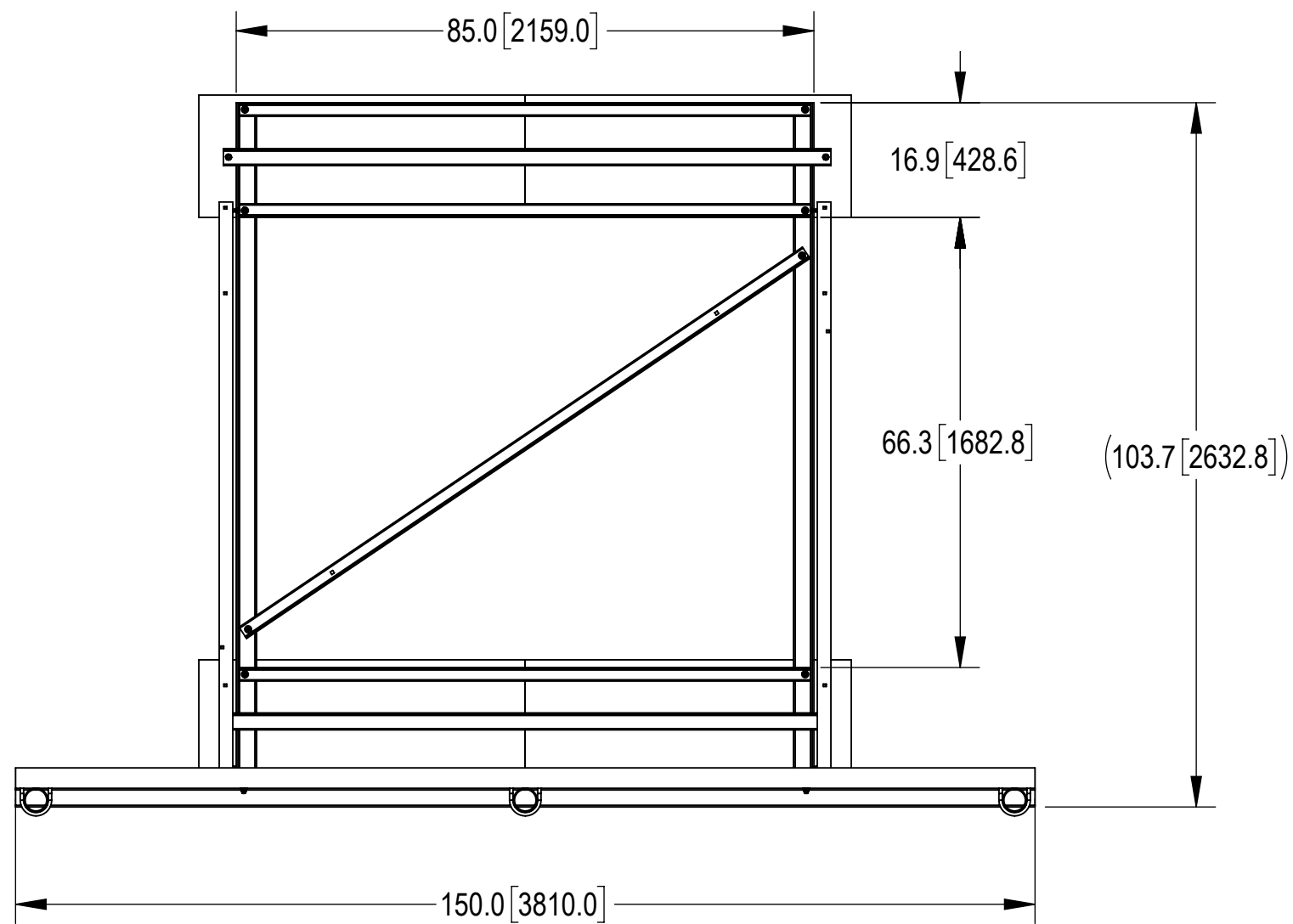


DETAIL E  
SCALE 1 : 3



DETAIL F  
SCALE 1 : 3

COMMSCOPE, INC. OF NORTH CAROLINA					
TITLE NON-PEN ROOF FRAME, 12'-6" FACE, 96" PIPE					
SIZE <b>C</b>	SCALE <b>1:20</b>	DOCUMENT NO. RF-NL12-3-96			
 		DRAWING			SHEET 3 OF 4
		VERSION 00	STATUS RE	REVISION B	



COMMSCOPE, INC. OF NORTH CAROLINA				
TITLE NON-PEN ROOF FRAME, 12'-6" FACE, 96" PIPE				
SIZE <b>C</b>	SCALE <b>1:20</b>	DOCUMENT NO. RF-NL12-3-96		
		DRAWING		SHEET
		VERSION	STATUS	REVISION
		00	RE	B
				4 OF 4

© 2024 CommScope, Inc. Confidential

