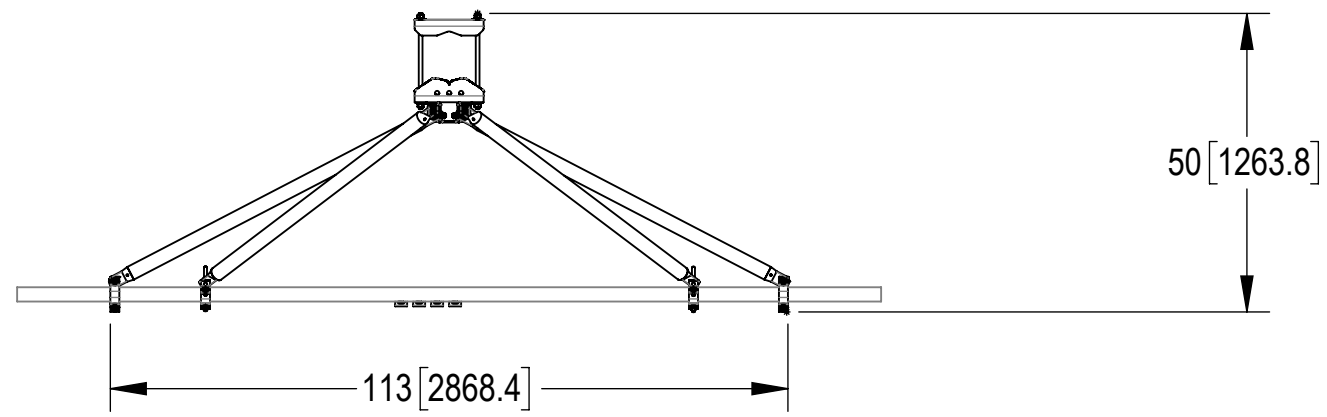
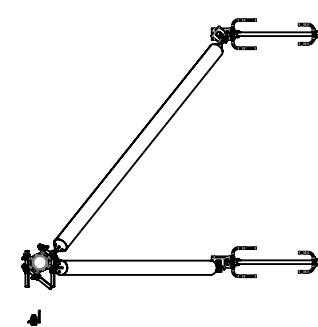
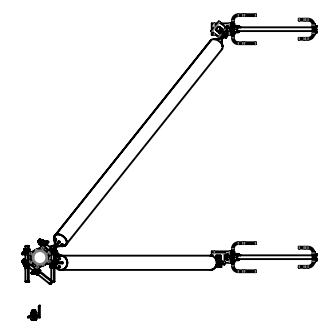
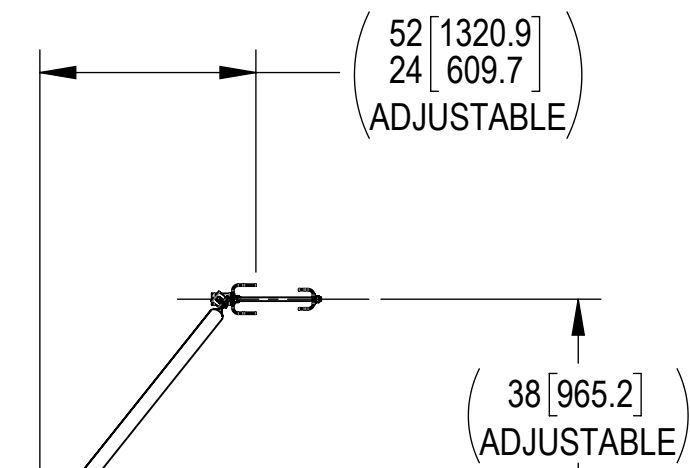
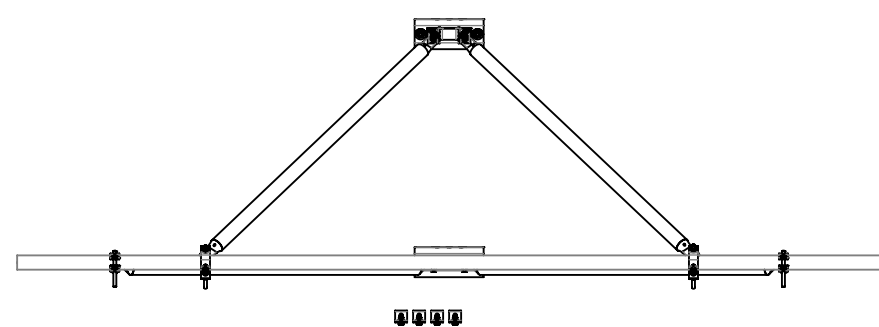
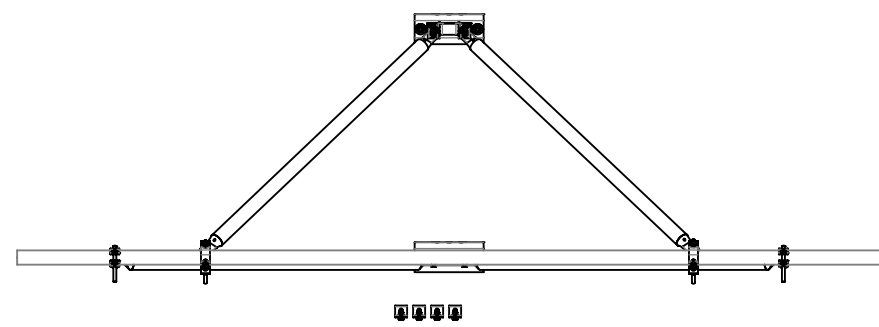
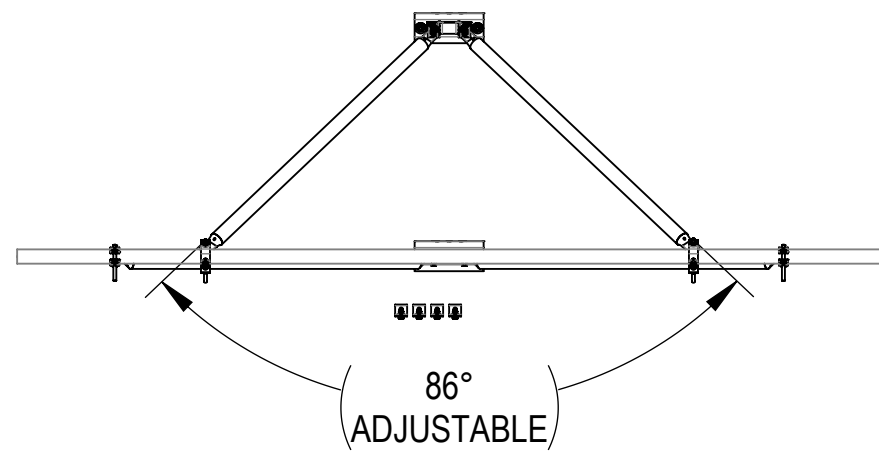


- 1.0 GENERAL NOTES  
 1.1 ALL METRIC DIMENSIONS ARE IN BRACKETS [X.X]  
 1.2 FOR PATENT INFO: <https://www.cs-pat.com>  
 2.0 DESIGN NOTES  
 2.1 FITS TOWER LEGS UP TO 8" OD, 8" ANGLE 60°, AND 6" ANGLE 90°.  
 2.2 ALL DIMENSIONS SHOWN ARE REFERENCE ONLY ALL CONNECTIONS ARE ADJUSTABLE. FINAL INSTALLED APPLICATION DICTATES FINISHED DIMENSIONS.  
 3.0 MANUFACTURING/SPECIAL REQUIREMENTS  
 3.1 TIGHTEN ALL BOLTS SECURING FLAT PLATES BY THE TURN-OF-NUT METHOD. TIGHTEN ALL U-BOLTS USING TURN-OF-NUT METHOD WITH ATTENTION TO LEAVE EQUAL DISTANCE AND EQUAL FORCE ON EACH LEG OF THE U-BOLT.  
 4.0 TEST  
 5.0 PACKAGING  
 5.1 PACKAGING SHALL MEET COMMSCOPE REQUIREMENTS PER DOCUMENT IS-PL-3005  
 5.2 PRINTED DOCUMENT TO BE PLACED INSIDE POLYBAG AND THEN IN SHIPPING CONTAINER  
 5.3 EXTRA HARDWARE MAY BE SUPPLIED, BAGGED AND SHIPPED

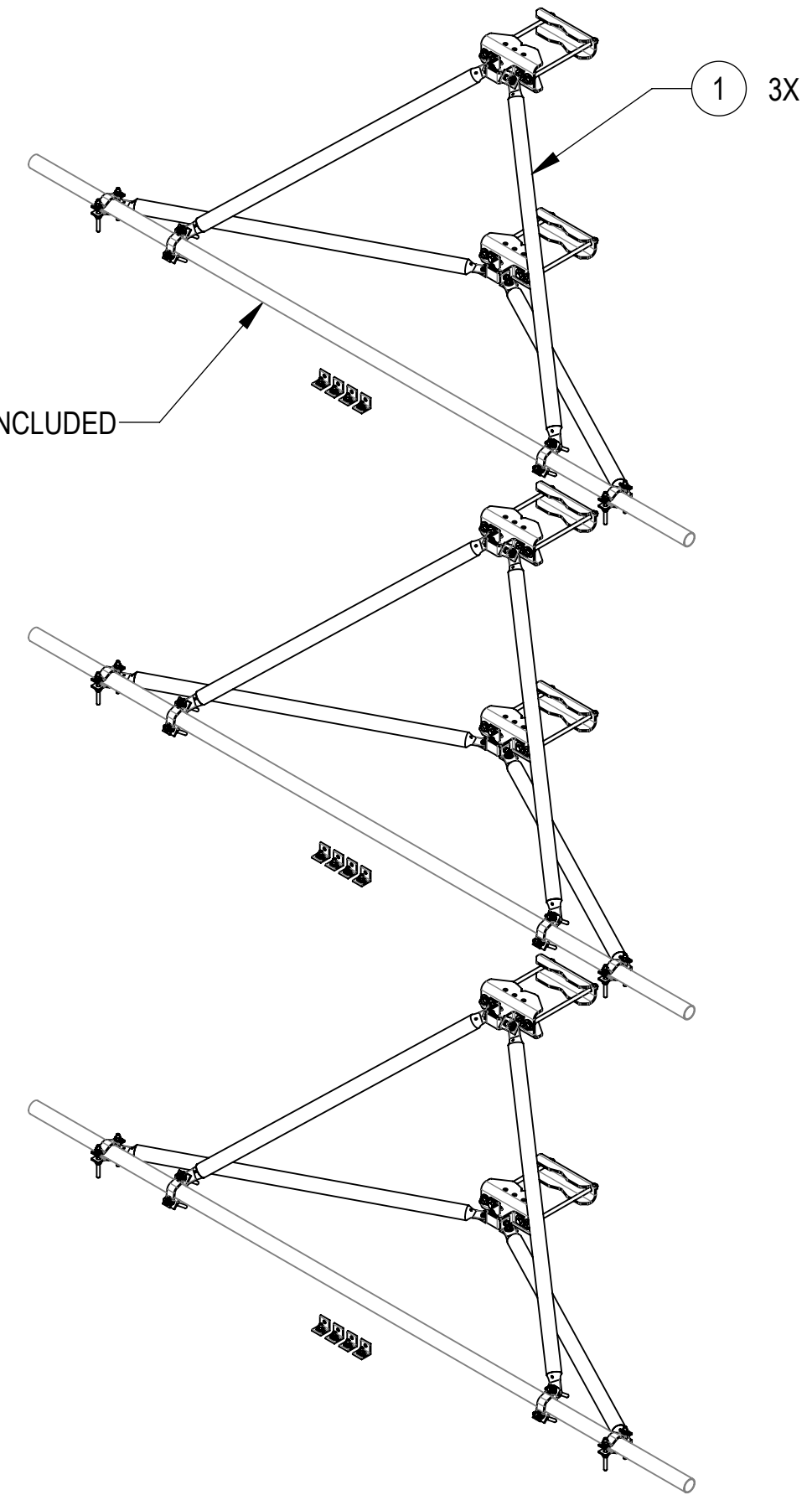
REVISIONS			
REV.	DESCRIPTION	DATE	APPROVED
A	INITIAL RELEASE	RDLS 3/12/18	8000028789
B	REDRAWN IN SOLIDWORKS	RY1002 06AUG24	BCROSS 40201892CMO



**UP TO ±30° AZIMUTH  
ADJUSTMENT OFF APEX**



1.9"-3.5" OD PIPES NOT INCLUDED



<b>COMMSCOPE, INC. OF NORTH CAROLINA</b>										
TOLERANCES					SAP MATERIAL MASTER					
0 PLACE .X[X] ± 0.2[6.3]		2 PLACE .XX[X] ± 0.06[1.5]			<b>VSRDUAL-TS-B3</b>					
1 PLACE .X[X] ± 0.12[3.0]		ANGLES ± 2°								
FINISH					MATERIAL					
UNLESS OTHERWISE SPECIFIED DIMENSIONS ARE IN INCHES INTERPRET PER ANSI Y 14.5M-1994	NAME	DATE	TITLE							
	CE RDLS	03/12/18	<b>V-STABILIZER, DUAL 3-SECTOR</b>							
	RW YMENG	08/12/2024								
	AD YC1015	08/12/2024	SCALE	DOCUMENT NO.						
	RE YMENG	08/12/2024	<b>1:25</b>	<b>VSRDUAL-TS-B3</b>						
ECN 40201892CMO										
SIZE	Auth Group	INSL	MODEL			DRAWING				
<b>C</b>			VERSION	STATUS	REVISION	VERSION	STATUS	REVISION	SHEET	
			00	RE	A	00	RE	B	1 OF 1	

DENSITY		lbs/in <sup>3</sup>
MASS	467.77	lbs
VOLUME	1654.79	in <sup>3</sup>
SURFACE AREA	21776.14	in <sup>2</sup>
HEIGHT		
LENGTH	113"	
WIDTH	50"	