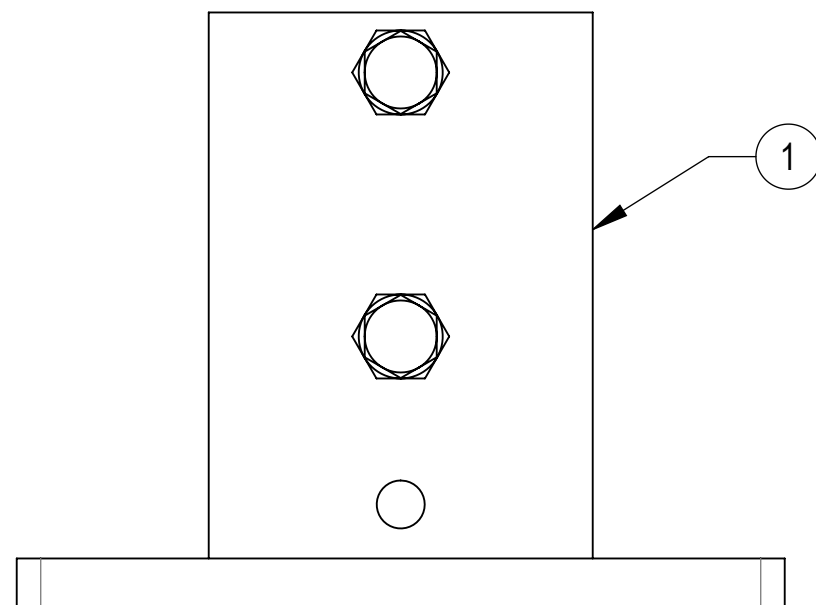
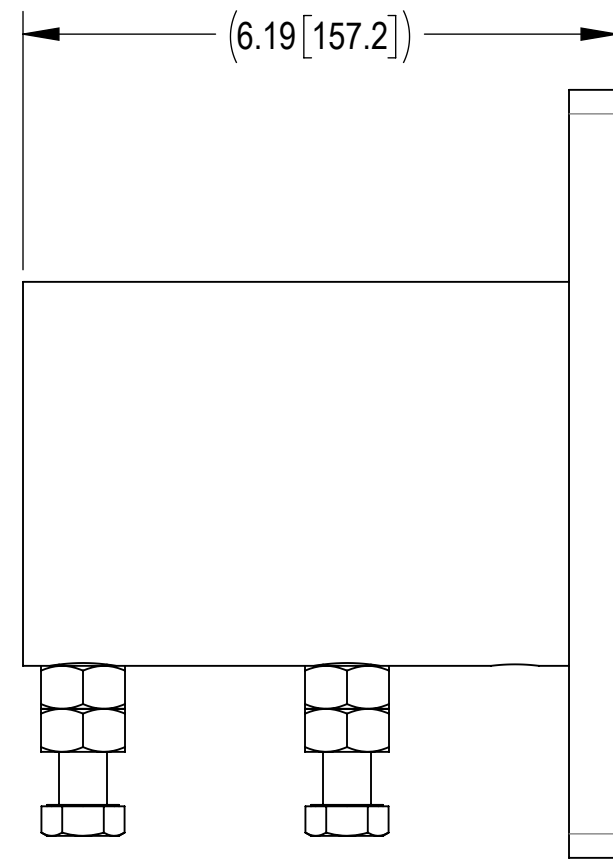
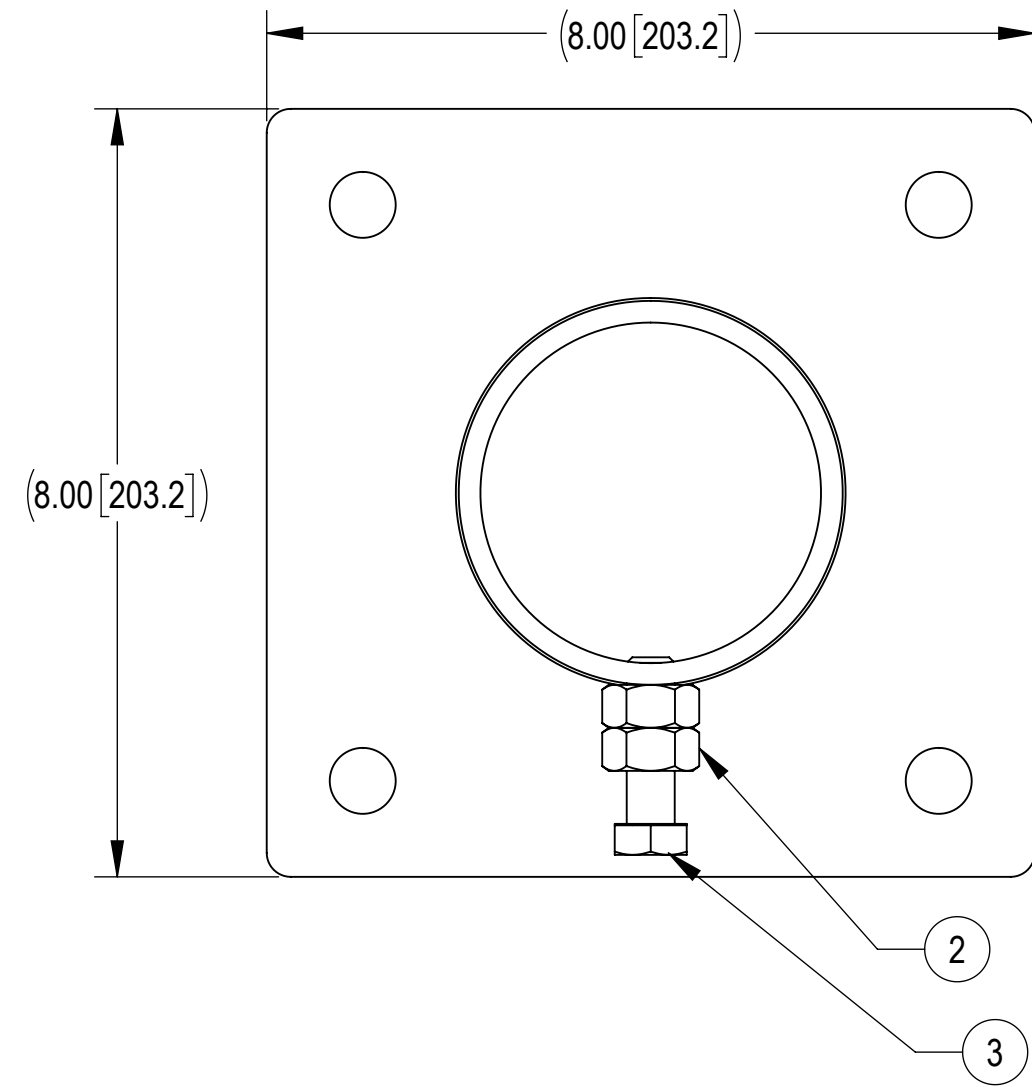
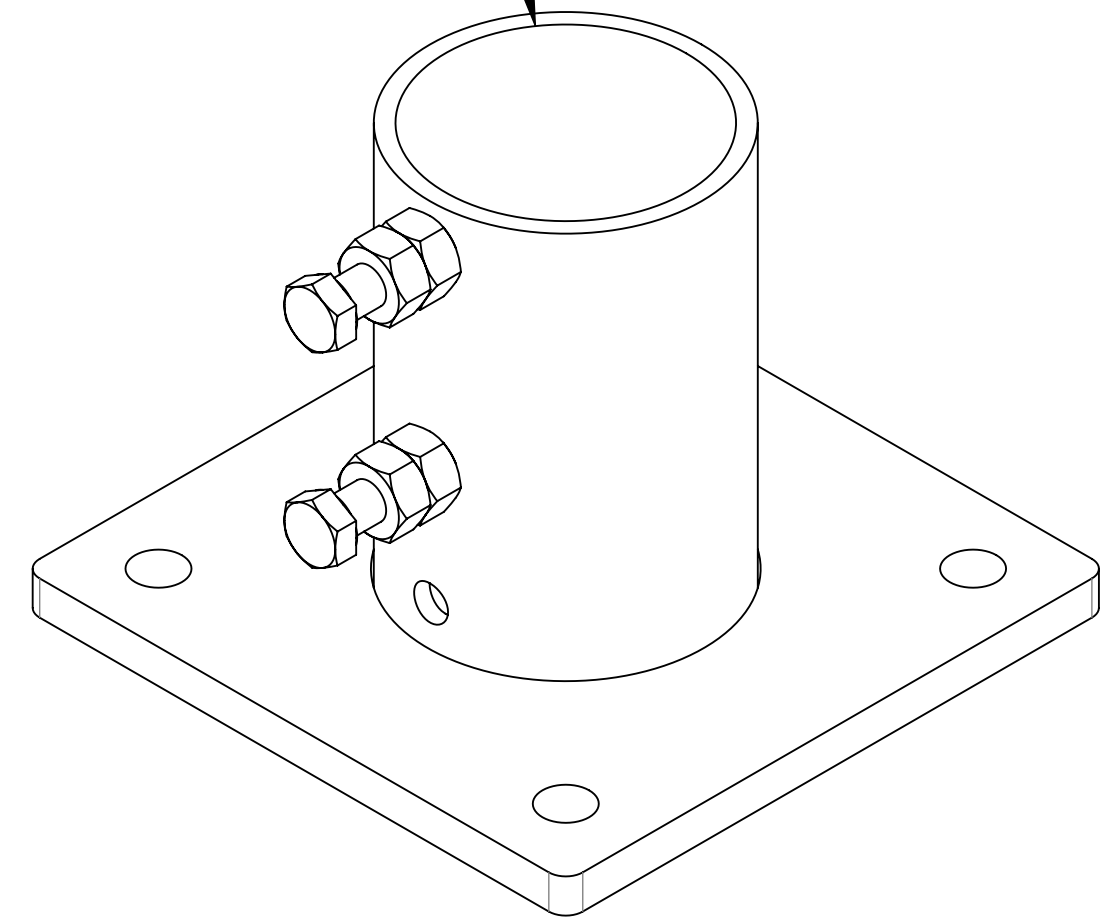


- 1.0 GENERAL NOTES
 - 1.1 ALL METRIC DIMENSIONS ARE IN BRACKETS [X.X]
 - 1.2 FOR PATENT INFO: <https://www.cs-pat.com>
- 2.0 DESIGN NOTES
- 3.0 MANUFACTURING/SPECIAL REQUIREMENTS
 - 3.1 TIGHTEN ALL BOLTS SECURING FLAT PLATES BY THE TURN-OF-NUT METHOD. TIGHTEN ALL U-BOLTS USING TURN-OF-NUT METHOD WITH ATTENTION TO LEAVE EQUAL DISTANCE AND EQUAL FORCE ON EACH LEG OF THE U-BOLT.
- 4.0 TEST
- 5.0 PACKAGING
 - 5.1 PACKAGING SHALL MEET COMMSCOPE REQUIREMENTS PER DOCUMENT IS-PL-3005
 - 5.2 PRINTED DOCUMENT TO BE PLACED INSIDE POLYBAG AND THEN IN SHIPPING CONTAINER
 - 5.3 EXTRA HARDWARE MAY BE SUPPLIED, BAGGED AND SHIPPED

REVISIONS			
REV.	DESCRIPTION	DATE	APPROVED
A	INITIAL RELEASE	YX1027 08APR24	BA1025 40192934CMO



ADAPT TO PIPES FOR \varnothing 2-7/8"OD OR \varnothing 3-1/2"OD



COMPONENT PART NUMBERS PROVIDED FOR ASSEMBLY PURPOSES;
INDIVIDUAL COMPONENTS MAY BE SHIPPED AS PARTS WITHIN AN INCLUDED KIT.

ITEM NO.	PART NUMBER	DESCRIPTION	QTY.	WEIGHT	NOTE NO.
1	MTC4167-0100-00	WELMENT. BSF35	1	11.62 LBS	
2	GN-04A	1/2" GALV HEX NUT (A194 2H)	2	0.07 LBS	
3	9963-15	SCR,HCS,1/2-13,1.75,STL,GALV	2	0.02 LBS	

DENSITY	11.79	lbs/in ³
MASS	11.79	lbs
VOLUME	42.53	in ³
SURFACE AREA	293.02	in ²
HEIGHT	6.2"	
LENGTH	8.0"	
WIDTH	8.0"	

COMMSCOPE, INC. OF NORTH CAROLINA																	
TOLERANCES						SAP MATERIAL MASTER											
1 PLACE .X[X] ± 0.2[6.3]			3 PLACE .XXX[X] ± 0.060[1.5]			BSF-3-35											
2 PLACE .XX[X] ± 0.12[3.0]			ANGLES ± 1°														
FINISH						MATERIAL											
UNLESS OTHERWISE SPECIFIED DIMENSIONS ARE IN INCHES INTERPRET PER ANSI Y 14.5M-1994	NAME		DATE		TITLE												
	CE YX1027		08APR24		BASE SHOE FOOT FOR 3.5" OD PIPE												
	RW YMENG		04/15/2024														
	AD RY1002		04/15/2024														
	RE YMENG		04/15/2024														
ECN 40192934CMO																	
SCALE		DOCUMENT NO.		BSF-3-35													
1:2				SIZE		MODEL		DRAWING									
C		Auth Group INSL		VERSION		STATUS		REVISION		VERSION		STATUS		REVISION		SHEET	
				00		RE		A		00		RE		A		1 OF 1	