

4

3

2

1

1.0 GENERAL NOTES

- 1.1 ALL METRIC DIMENSIONS ARE IN BRACKETS [X.X]
- 1.2 FOR PATENT INFO: <https://www.cs-pat.com>

2.0 DESIGN NOTES

3.0 MANUFACTURING/SPECIAL REQUIREMENTS

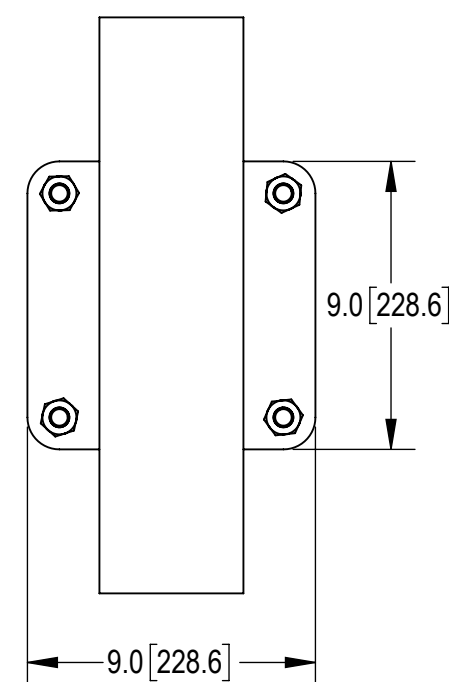
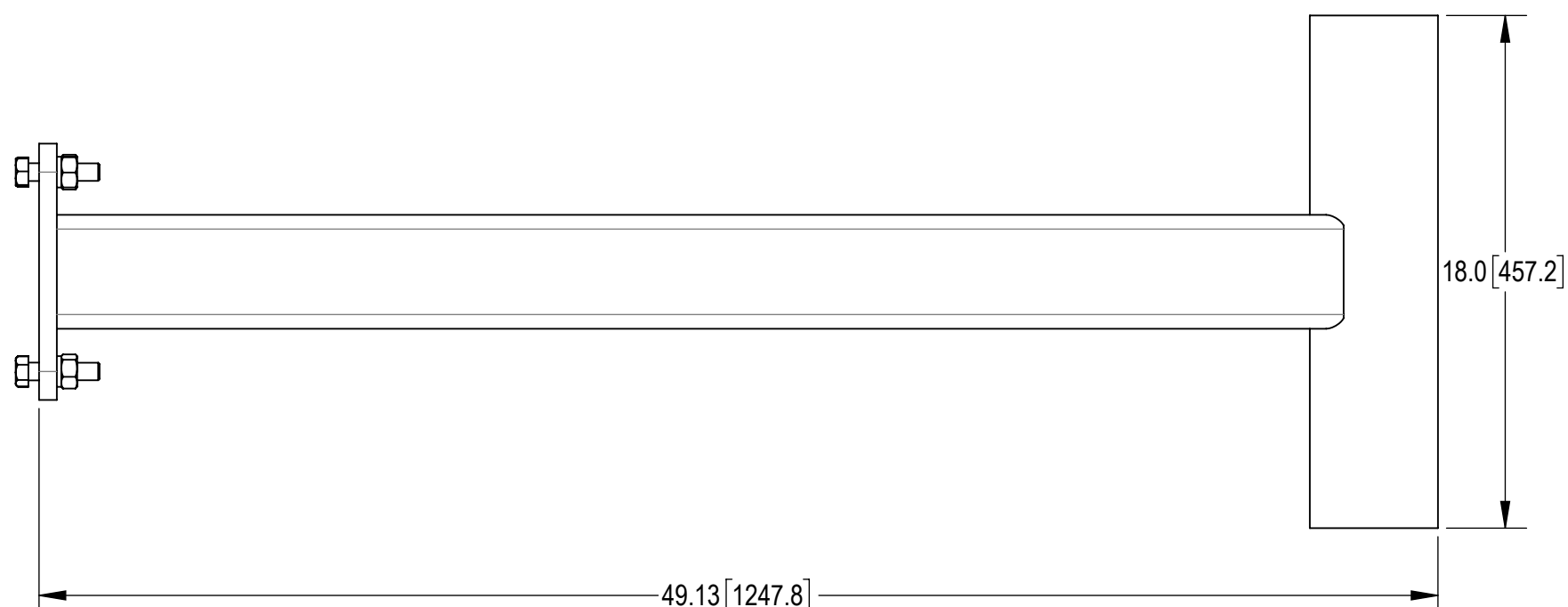
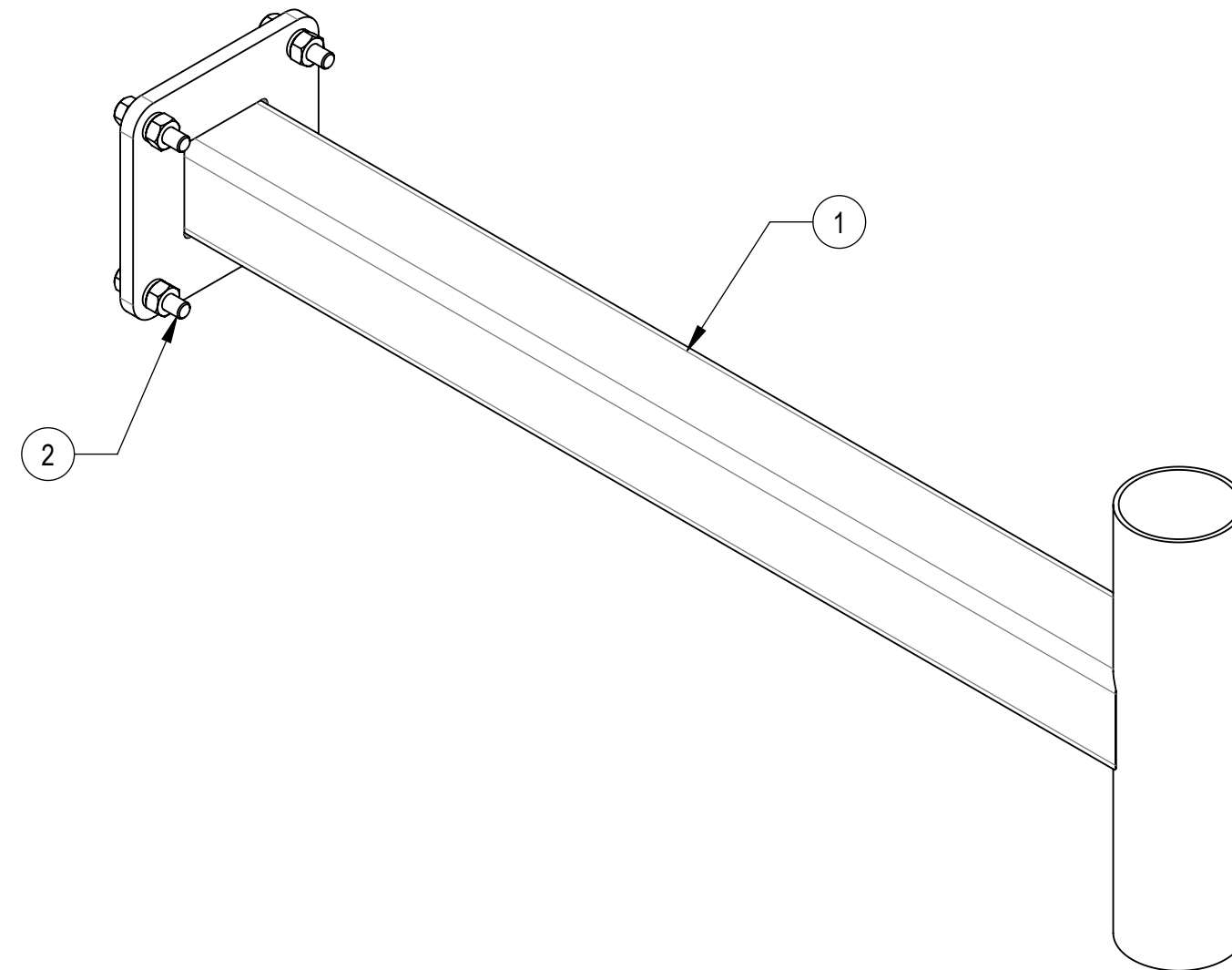
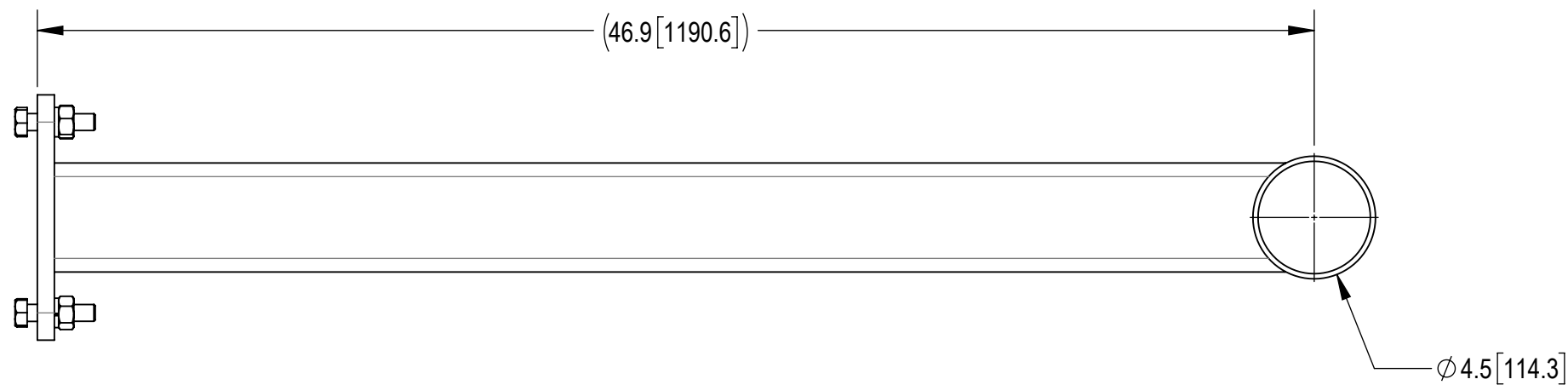
- 3.1 TIGHTEN ALL BOLTS SECURING FLAT PLATES BY THE TURN-OF-NUT METHOD. TIGHTEN ALL U-BOLTS USING TURN-OF-NUT METHOD WITH ATTENTION TO LEAVE EQUAL DISTANCE AND EQUAL FORCE ON EACH LEG OF THE U-BOLT.

4.0 TEST

5.0 PACKAGING

- 5.1 PACKAGING SHALL MEET COMMSCOPE REQUIREMENTS PER DOCUMENT IS-PL-3005
- 5.2 PRINTED DOCUMENT TO BE PLACED INSIDE POLYBAG AND THEN IN SHIPPING CONTAINER
- 5.3 EXTRA HARDWARE MAY BE SUPPLIED, BAGGED AND SHIPPED

REVISIONS			
REV.	DESCRIPTION	DATE	APPROVED
A	INITIAL RELEASE	LAP 03/23/01	
BNEW	UPDATE DESIGN	OGG 10/06/10	
C	UPDATED DRAWING TO NEW FORMAT	RY1002 09OCT24	BCROSS 40206191CMO



COMMSCOPE, INC. OF NORTH CAROLINA

TOLERANCES		SAP MATERIAL MASTER	
1 PLACE .X[X] ± 0.2[6.3]	3 PLACE .XXX[X] ± 0.060[1.5]	MT-197-48	
2 PLACE .XX[X] ± 0.12[3.0]	ANGLES ± 2°		
FINISH		MATERIAL	
UNLESS OTHERWISE SPECIFIED DIMENSIONS ARE IN INCHES INTERPRET PER ANSI Y 14.5M-1994	NAME	DATE	TITLE
	CE ACG	03/10/06	48" SINGLE SUPPORT ARM KIT
	RW YMENG	10/10/2024	
	AD RY1002	10/11/2024	
	RE YMENG	10/11/2024	
ECN 40206191CMO			
SCALE	DOCUMENT NO.		
1:6	MT-197-48		
SIZE	Auth Group	INSL	MODEL
C			
VERSION	STATUS	REVISION	VERSION
01	RE	C	01
DRAWING		STATUS	REVISION
		RE	C
			SHEET
			1 OF 1

COMPONENT PART NUMBERS PROVIDED FOR ASSEMBLY PURPOSES;
INDIVIDUAL COMPONENTS MAY BE SHIPPED AS PARTS WITHIN AN INCLUDED KIT.

ITEM	PART NO.	DESCRIPTION	QTY.	WEIGHT	NOTE NO.
1	MT1974801	48" SINGLE SUPPORT ARM	1	69.50 LBS	
2	GB-0524A	5/8" X 2-1/2" GALV BOLT KIT (A325)	4	0.30 LBS	

4

3

2

1