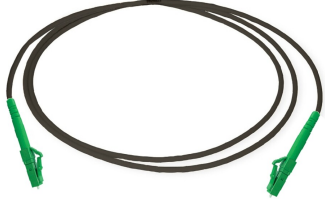


# FID-LG-050M-01A-LG

---



Fiber Optic Indoor/outdoor 3 mm Drop Cable Assembly, LC/APC-LC/APC, 50 M

## Product Classification

|                              |   |
|------------------------------|---|
| <b>Regional Availability</b> | EMEA  |
| <b>Product Type</b>          | Fiber drop cable assembly   |
| <b>Product Series</b>        | FID   |
| <b>Ordering Note</b>         | For custom cable assembly lengths, please contact your local CommScope representative |

## General Specifications

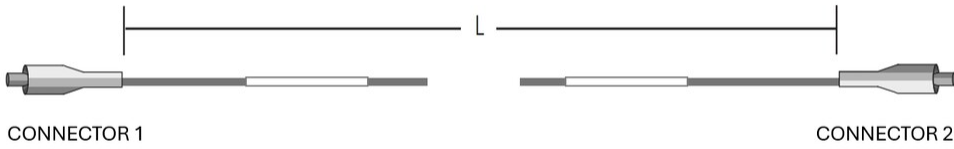
|                                       |                    |
|---------------------------------------|--------------------|
| <b>Cable Type</b>                     | Stapleable - Round |
| <b>Connector A, quantity</b>          | 1                  |
| <b>Color, boot A</b>                  | Green              |
| <b>Color, connector A</b>             | Green              |
| <b>Connector B, quantity</b>          | 1                  |
| <b>Color, boot B</b>                  | Green              |
| <b>Color, connector B</b>             | Green              |
| <b>Interface, Connector A</b>         | LC/APC             |
| <b>Interface Feature, connector A</b> | Male               |
| <b>Interface, Connector B</b>         | LC/APC             |
| <b>Interface Feature, connector B</b> | Male               |
| <b>Jacket Color</b>                   | Black              |
| <b>Total Fibers, quantity</b>         | 1                  |

## Dimensions

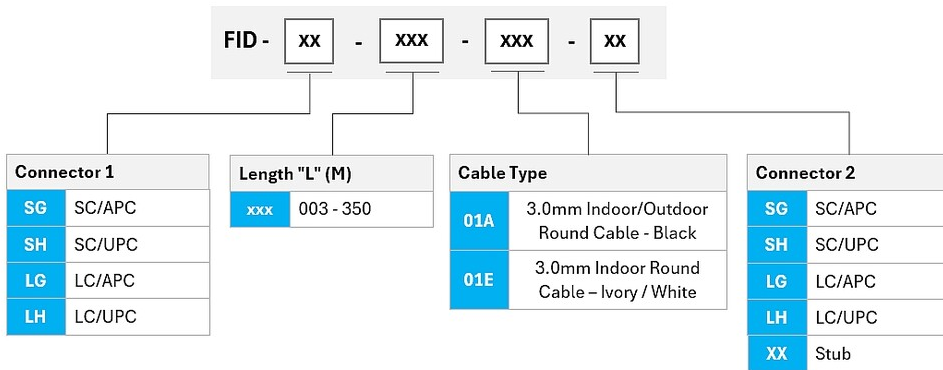
|                              |                   |
|------------------------------|-------------------|
| <b>Cable Assembly Length</b> | 50 m   164.042 ft |
| <b>Cable Outer Diameter</b>  | 3.0 mm (0.12 in)  |

## Dimension Drawing

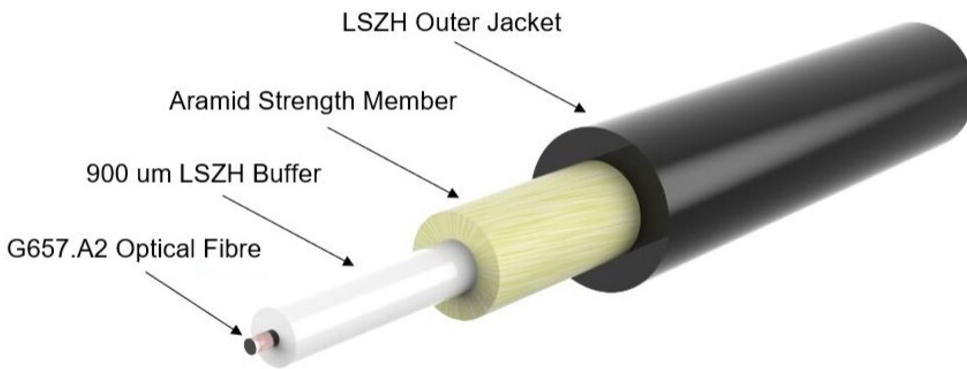
# FID-LG-050M-01A-LG



## Ordering Tree



## Representative Image



## Material Specifications

# FID-LG-050M-01A-LG

---

**Jacket Material** Low Smoke Zero Halogen (LSZH)

## Mechanical Specifications

**Minimum Bend Radius, loaded** 50 mm | 1.969 in  
**Minimum Bend Radius, unloaded** 30 mm | 1.181 in  
**Tensile Load, long term, maximum** 30 N | 6.744 lbf  
**Tensile Load, short term, maximum** 100 N | 22.481 lbf  
**Cable Crush Resistance, maximum** 10 N/mm | 57.101 lb/in

## Optical Specifications

**Fiber Mode** Singlemode  
**Fiber Type** G.657.A2, TeraSPEED®  
**Insertion Loss, maximum, connector A** 0.25 dB  
**Insertion Loss, maximum, connector B** 0.25 dB  
**Return Loss, minimum, connector A** 60 dB  
**Return Loss, minimum, connector B** 60 dB

## Environmental Specifications

**Installation temperature** -20 °C to +60 °C (-4 °F to +140 °F)  
**Operating Temperature** -40 °C to +70 °C (-40 °F to +158 °F)  
**Storage Temperature** -40 °C to +75 °C (-40 °F to +167 °F)  
**EN50575 CPR Cable EuroClass Fire Performance** Dca  
**Environmental Space** Indoor/Outdoor  
**Jacket UV Resistance** UV stabilized  
**Qualification Standards** IEC 60794-1-2

## Packaging and Weights

**Packaging quantity** 1  
**Weight, net** 0.51 kg | 1.124 lb

## Regulatory Compliance/Certifications

| <b>Agency</b> | <b>Classification</b>  |
|---------------|--|
| CHINA-ROHS    | Below maximum concentration value  |
| REACH-SVHC    | Compliant as per SVHC revision on <a href="http://www.commscope.com/ProductCompliance">www.commscope.com/ProductCompliance</a> |

# FID-LG-050M-01A-LG

---

ROHS Compliant

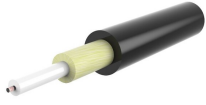
UK-ROHS Compliant



## Included Products

810010113/DB – Indoor/Outdoor Fiber Optic Drop cable, 1 Fiber G657 A2 0.9mm tight buffer. Breaking load Max  
C-001-DN-8G1-M01BK/30D/D- 2000N. Suitable for installation under overhead power lines  $\leq 11\text{kV}$ , vertical clearance  $\geq 1.8\text{m}$ .  
UK00

# 810010113/DB | C-001-DN-8G1-M01BK/30D/D-UK00



Indoor/Outdoor Fiber Optic Drop cable, 1 Fiber G657 A2 0.9mm tight buffer. Breaking load Max 2000N. Suitable for installation under overhead power lines  $\leq 11\text{kV}$ , vertical clearance  $\geq 1.8\text{m}$ .

Fire retardant Outside plant LSZH jacket grade, suitable for drop / aerial installations of up to 68 m. Can be routed indoor.

## Product Classification

|                              |   |
|------------------------------|---|
| <b>Regional Availability</b> | Asia   Australia/New Zealand   EMEA   North America |
| <b>Portfolio</b>             | CommScope®  |
| <b>Product Type</b>          | Fiber indoor/outdoor cable                          |

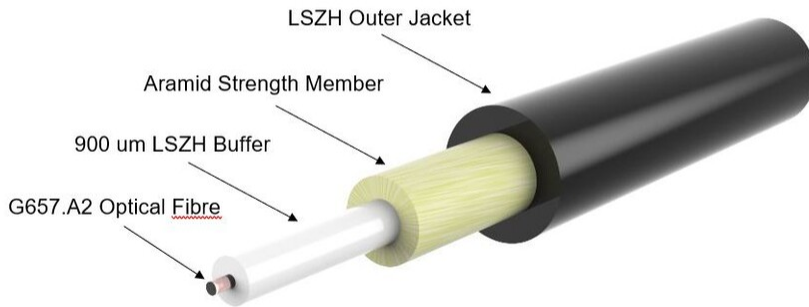
## General Specifications

|                                     |  |
|-------------------------------------|--|
| <b>Cable Type</b>                   | Drop   Tight buffer  |
| <b>Construction Type</b>            | All Dielectric   Non-armored   |
| <b>Subunit Type</b>                 | Gel-free   |
| <b>Jacket Color</b>                 | Black  |
| <b>Jacket Marking</b>               | Meters   |
| <b>Jacket Marking Method</b>        | Inkjet   |
| <b>Jacket Marking Text</b>          | COMMSCOPE GB OPTICAL CABLE 810010113/DB 1x G657A2 SM LSZH [DOM] [SERIAL NUMBER] [METER MARK] |
| <b>Subunit, quantity</b>            | 1  |
| <b>Fibers per Subunit, quantity</b> | 1  |
| <b>Total Fiber Count</b>            | 1  |

## Dimensions

|                                     |                   |
|-------------------------------------|-------------------|
| <b>Buffer Tube/Subunit Diameter</b> | 0.9 mm   0.035 in |
| <b>Diameter Over Jacket</b>         | 3 mm   0.118 in   |

## Representative Image



## Material Specifications

**Jacket Material** Low Smoke Zero Halogen (LSZH)

## Mechanical Specifications

|  |                                       |
|--|---------------------------------------|
| <b>Minimum Bend Radius, loaded</b>       | 30 mm   1.181 in                      |
| <b>Tensile Load, long term, maximum</b>  | 300 N   67.443 lbf                    |
| <b>Tensile Load, short term, maximum</b> | 620 N   139.382 lbf                   |
| <b>Compression</b>                       | 20 N/mm   114.203 lb/in               |
| <b>Compression Test Method</b>           | IEC 60794-1 E3                        |
| <b>Impact</b>                            | 2 N-m   17.701 in lb                  |
| <b>Impact Test Method</b>                | IEC 60794-1 E4                        |
| <b>Strain</b>                            | See long and short term tensile loads |
| <b>Strain Test Method</b>                | IEC 60794-1 E1                        |
| <b>Twist</b>                             | 10 cycles                             |
| <b>Twist Test Method</b>                 | IEC 60794-1 E7                        |

## Optical Specifications

**Fiber Type** G.657.A2, TeraSPEED®

## Environmental Specifications

|   |   |
|---|---|
| <b>Installation temperature</b>                     | -10 °C to +60 °C (+14 °F to +140 °F)      |
| <b>Operating Temperature</b>                        | -30 °C to +65 °C (-22 °F to +149 °F)      |
| <b>Storage Temperature</b>                          | -30 °C to +60 °C (-22 °F to +140 °F)      |
| <b>Cable Qualification Standards</b>                | IEC 60794-1-2                             |
| <b>EN50575 CPR Cable EuroClass Fire Performance</b> | Dca                                       |
| <b>EN50575 CPR Cable EuroClass Smoke Rating</b>     | s1a                                       |
| <b>EN50575 CPR Cable EuroClass Droplets Rating</b>  | d0  |
| <b>EN50575 CPR Cable EuroClass Acidity Rating</b>   | a1  |
| <b>Environmental Space</b>                          | Aerial   Drop   Ducted   Indoor/Outdoor   |
| <b>Flame Test Listing</b>                           | EN 50399                                  |
| <b>Flame Test Method</b>                            | IEC 60332-1-2   IEC 60754-2   IEC 61034-2 |
| <b>Jacket UV Resistance</b>                         | UV stabilized                             |
| <b>Water Penetration</b>                            | 24 h                                      |
| <b>Water Penetration Test Method</b>                | IEC 60794-1 F5                            |

## Environmental Test Specifications

|                                      |                                      |
|--------------------------------------|--------------------------------------|
| <b>Temperature Cycle</b>             | -30 °C to +60 °C (-22 °F to +140 °F) |
| <b>Temperature Cycle Test Method</b> | IEC 60794-1-22 F1                    |

## Packaging and Weights

|                     |                          |
|---------------------|--------------------------|
| <b>Cable weight</b> | 8.7 kg/km   5.846 lb/kft |
|---------------------|--------------------------|

## Regulatory Compliance/Certifications

| <b>Agency</b> | <b>Classification</b>   |
|---------------|---|
| CHINA-ROHS    | Below maximum concentration value   |
| REACH-SVHC    | Compliant as per SVHC revision on <a href="https://www.commscope.com/ProductCompliance">www.commscope.com/ProductCompliance</a> |
| ROHS          | Compliant   |
| UK-ROHS       | Compliant   |



## \* Footnotes

**Operating Temperature** Specification applicable to non-terminated bulk fiber cable