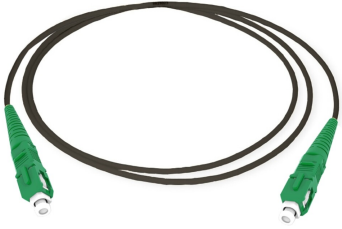


# FID-SG-055M-01A-SG

---



Fiber Optic Indoor/outdoor 3 mm Drop Cable Assembly, SC/APC-SC /APC, 55 M

## Product Classification

<b>Regional Availability</b>	EMEA
<b>Product Type</b>	Fiber drop cable assembly
<b>Product Series</b>	FID
<b>Ordering Note</b>	For custom cable assembly lengths, please contact your local CommScope representative

## General Specifications

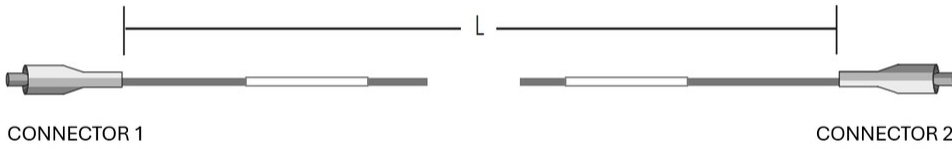
<b>Cable Type</b>	Stapleable - Round
<b>Connector A, quantity</b>	1
<b>Color, boot A</b>	Green
<b>Color, connector A</b>	Green
<b>Connector B, quantity</b>	1
<b>Color, boot B</b>	Green
<b>Color, connector B</b>	Green
<b>Interface, Connector A</b>	SC/APC
<b>Interface Feature, connector A</b>	Male
<b>Interface, Connector B</b>	SC/APC
<b>Interface Feature, connector B</b>	Male
<b>Jacket Color</b>	Black
<b>Total Fibers, quantity</b>	1

## Dimensions

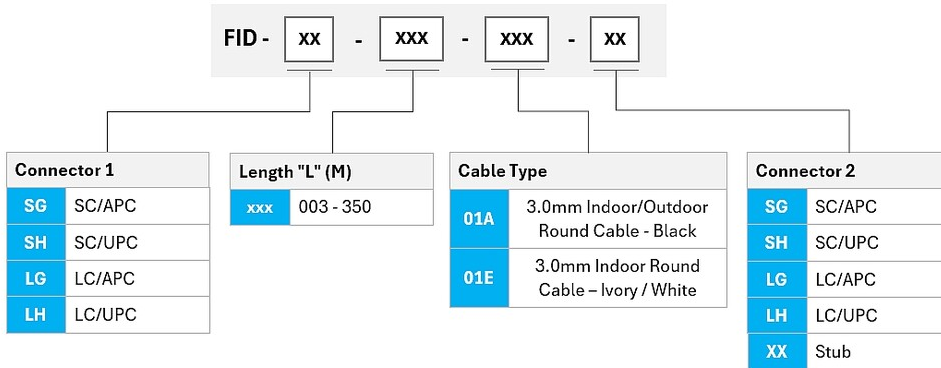
<b>Cable Assembly Length</b>	55 m   180.446 ft
<b>Cable Outer Diameter</b>	3.0 mm (0.12 in)

## Dimension Drawing

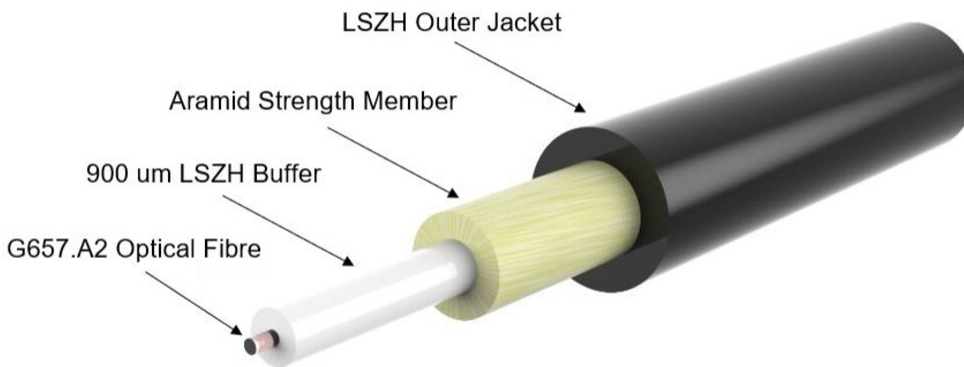
# FID-SG-055M-01A-SG



## Ordering Tree



## Representative Image



## Material Specifications

# FID-SG-055M-01A-SG

---

**Jacket Material** Low Smoke Zero Halogen (LSZH)

## Mechanical Specifications

**Minimum Bend Radius, loaded** 50 mm | 1.969 in  
**Minimum Bend Radius, unloaded** 30 mm | 1.181 in  
**Tensile Load, long term, maximum** 30 N | 6.744 lbf  
**Tensile Load, short term, maximum** 100 N | 22.481 lbf  
**Cable Crush Resistance, maximum** 10 N/mm | 57.101 lb/in

## Optical Specifications

**Fiber Mode** Singlemode  
**Fiber Type** G.657.A2, TeraSPEED®  
**Insertion Loss, maximum, connector A** 0.25 dB  
**Insertion Loss, maximum, connector B** 0.25 dB  
**Return Loss, minimum, connector A** 60 dB  
**Return Loss, minimum, connector B** 60 dB

## Environmental Specifications

**Installation temperature** -20 °C to +60 °C (-4 °F to +140 °F)  
**Operating Temperature** -40 °C to +70 °C (-40 °F to +158 °F)  
**Storage Temperature** -40 °C to +75 °C (-40 °F to +167 °F)  
**EN50575 CPR Cable EuroClass Fire Performance** Dca  
**Environmental Space** Indoor/Outdoor  
**Jacket UV Resistance** UV stabilized  
**Qualification Standards** IEC 60794-1-2

## Packaging and Weights

**Packaging quantity** 1  
**Weight, net** 0.55 kg | 1.213 lb

## Regulatory Compliance/Certifications

Agency	Classification
CHINA-ROHS	Below maximum concentration value
REACH-SVHC	Compliant as per SVHC revision on <a href="http://www.commscope.com/ProductCompliance">www.commscope.com/ProductCompliance</a>

# FID-SG-055M-01A-SG

---

ROHS Compliant

UK-ROHS Compliant



## Included Products

810010113/DB – Indoor/Outdoor Fiber Optic Drop cable, 1 Fiber G657 A2 0.9mm tight buffer. Breaking load Max  
C-001-DN-8G1-M01BK/30D/D-2000N. Suitable for installation under overhead power lines  $\leq 11\text{kV}$ , vertical clearance  $\geq 1.8\text{m}$ .  
UK00