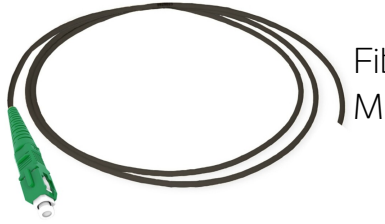


# FID-SG-055M-01A-XX



Fiber Optic Indoor/outdoor 3 mm Drop Cable Stub Assembly, SC/APC, 55 M

## Product Classification

|                              |   |
|------------------------------|---|
| <b>Regional Availability</b> | EMEA  |
| <b>Product Type</b>          | Fiber drop cable assembly   |
| <b>Product Series</b>        | FID   |
| <b>Ordering Note</b>         | For custom cable assembly lengths, please contact your local CommScope representative |

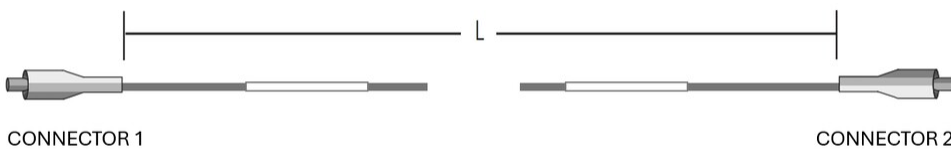
## General Specifications

|                                       |                    |
|---------------------------------------|--------------------|
| <b>Cable Type</b>                     | Stapleable - Round |
| <b>Connector A, quantity</b>          | 1                  |
| <b>Color, boot A</b>                  | Green              |
| <b>Color, connector A</b>             | Green              |
| <b>Interface, Connector A</b>         | SC/APC             |
| <b>Interface Feature, connector A</b> | Male               |
| <b>Interface, Connector B</b>         | Unterminated       |
| <b>Jacket Color</b>                   | Black              |
| <b>Total Fibers, quantity</b>         | 1                  |

## Dimensions

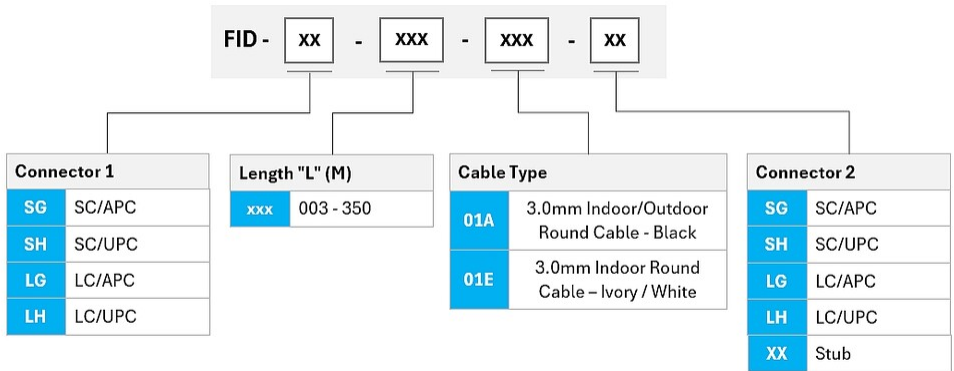
|                              |                   |
|------------------------------|-------------------|
| <b>Cable Assembly Length</b> | 55 m   180.446 ft |
| <b>Cable Outer Diameter</b>  | 3.0 mm (0.12 in)  |

## Dimension Drawing

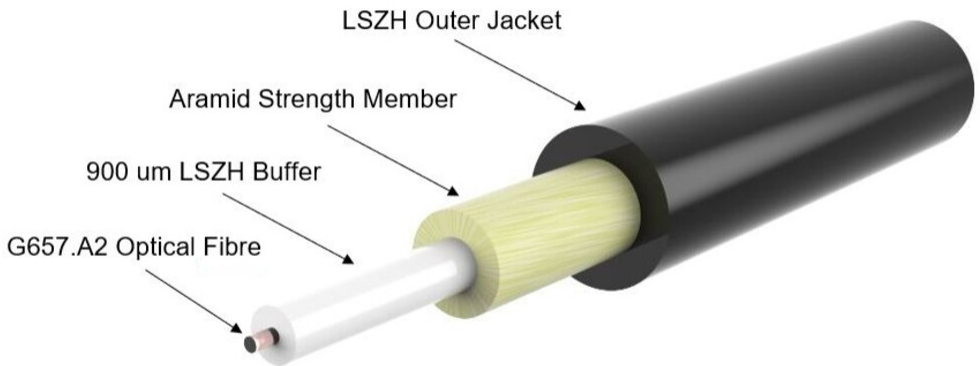


# FID-SG-055M-01A-XX

## Ordering Tree



## Representative Image



## Material Specifications

**Jacket Material** Low Smoke Zero Halogen (LSZH)

## Mechanical Specifications

**Minimum Bend Radius, loaded** 50 mm | 1.969 in

**Minimum Bend Radius, unloaded** 30 mm | 1.181 in

# FID-SG-055M-01A-XX

---

|  |                        |
|--|------------------------|
| <b>Tensile Load, long term, maximum</b>  | 30 N   6.744 lbf       |
| <b>Tensile Load, short term, maximum</b> | 100 N   22.481 lbf     |
| <b>Cable Crush Resistance, maximum</b>   | 10 N/mm   57.101 lb/in |

## Optical Specifications

|   |                      |
|---|----------------------|
| <b>Fiber Mode</b>                           | Singlemode           |
| <b>Fiber Type</b>                           | G.657.A2, TeraSPEED® |
| <b>Insertion Loss, maximum, connector A</b> | 0.25 dB              |
| <b>Return Loss, minimum, connector A</b>    | 60 dB                |

## Environmental Specifications

|   |                                      |
|---|--------------------------------------|
| <b>Installation temperature</b>                     | -20 °C to +60 °C (-4 °F to +140 °F)  |
| <b>Operating Temperature</b>                        | -40 °C to +70 °C (-40 °F to +158 °F) |
| <b>Storage Temperature</b>                          | -40 °C to +75 °C (-40 °F to +167 °F) |
| <b>EN50575 CPR Cable EuroClass Fire Performance</b> | Dca                                  |
| <b>Environmental Space</b>                          | Indoor/Outdoor                       |
| <b>Jacket UV Resistance</b>                         | UV stabilized                        |
| <b>Qualification Standards</b>                      | IEC 60794-1-2                        |

## Packaging and Weights

|                           |                   |
|---------------------------|-------------------|
| <b>Packaging quantity</b> | 1                 |
| <b>Weight, net</b>        | 0.54 kg   1.19 lb |

## Regulatory Compliance/Certifications

| <b>Agency</b> | <b>Classification</b>  |
|---------------|--|
| CHINA-ROHS    | Below maximum concentration value  |
| REACH-SVHC    | Compliant as per SVHC revision on <a href="http://www.commscope.com/ProductCompliance">www.commscope.com/ProductCompliance</a> |
| ROHS          | Compliant  |
| UK-ROHS       | Compliant  |



## Included Products

|   |   |   |
|---|---|---|
| 810010113/DB<br>C-001-DN-8G1-M01BK/30D/D- | – | Indoor/Outdoor Fiber Optic Drop cable, 1 Fiber G657 A2 0.9mm tight buffer. Breaking load Max 2000N. Suitable for installation under overhead power lines ≤11kV, vertical clearance ≥1.8m. |
|---|---|---|

# FID-SG-055M-01A-XX

---

UK00