

Fiber Indoor Cable, LSZH Riser, All-Dielectric, Central Tube Ribbon, Singlemode, G.652.D and G.657.A1, 96 Fibers, Gel-free, Feet jacket marking, Yellow jacket color

Product Classification

| | |
|------------------------------|---|
| Regional Availability | Asia Australia/New Zealand EMEA Latin America North America |
| Portfolio | CommScope® |
| Product Type | Fiber indoor cable |
| Product Series | N-CN |

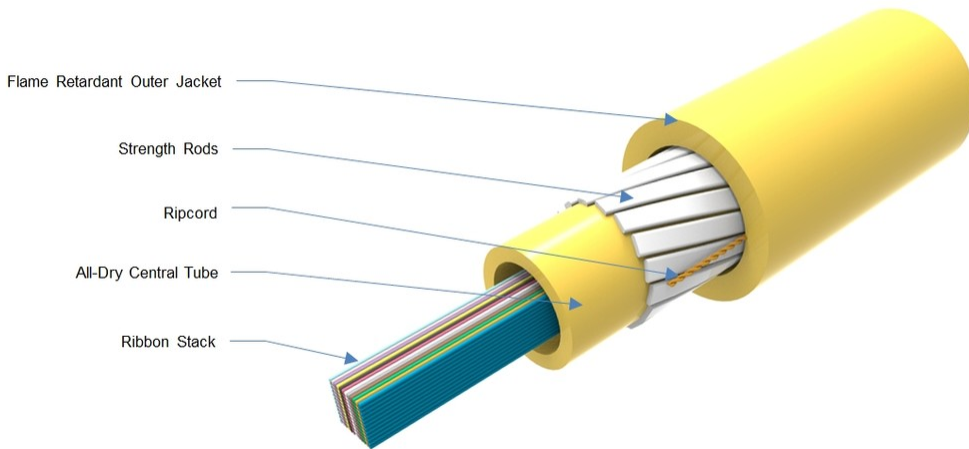
General Specifications

| | |
|------------------------------------|---------------------|
| Cable Type | Ribbon central tube |
| Construction Type | Non-armored |
| Subunit Type | Gel-free |
| Fibers per Ribbon, quantity | 12 |
| Jacket Color | Yellow |
| Jacket Marking | Feet |
| Total Fiber Count | 96 |

Dimensions

| | |
|-------------------------------------|--------------------|
| Buffer Tube/Subunit Diameter | 6.8 mm 0.268 in |
| Diameter Over Jacket | 10.2 mm 0.402 in |

Representative Image



Mechanical Specifications

| | |
|--|---------------------------------------|
| Minimum Bend Radius, loaded | 203.2 mm 8 in |
| Minimum Bend Radius, unloaded | 101.6 mm 4 in |
| Tensile Load, long term, maximum | 334 N 75.086 lbf |
| Tensile Load, short term, maximum | 1335 N 300.12 lbf |
| Compression | 10 N/mm 57.101 lb/in |
| Compression Test Method | FOTP-41 IEC 60794-1 E3 |
| Flex | 25 cycles |
| Flex Test Method | FOTP-104 IEC 60794-1 E6 |
| Impact | 2.94 N-m 26.021 in lb |
| Impact Test Method | FOTP-25 IEC 60794-1 E4 |
| Strain | See long and short term tensile loads |
| Strain Test Method | FOTP-33 IEC 60794-1 E1 |
| Twist | 10 cycles |
| Twist Test Method | FOTP-85 IEC 60794-1 E7 |

Optical Specifications

| | |
|-------------------|---|
| Fiber Type | G.652.D and G.657.A1 G.652.D and G.657.A1 |
|-------------------|---|

Environmental Specifications

| | |
|---------------------------------|-------------------------------------|
| Installation temperature | 0 °C to +70 °C (+32 °F to +158 °F) |
| Operating Temperature | -20 °C to +70 °C (-4 °F to +158 °F) |

760212209 | N-096-CN-RB-F12YL/8W/99E

| | |
|--------------------------------------|---|
| Storage Temperature | -40 °C to +70 °C (-40 °F to +158 °F) |
| Cable Qualification Standards | ANSI/ICEA S-83-596 Telcordia GR-409 |
| Environmental Space | Low Smoke Zero Halogen (LSZH) Riser |
| Flame Test Listing | NEC OFNR-ST1 (UL) and c(UL) |
| Flame Test Method | IEC 60332-3 IEC 60754-2 IEC 61034-2 UL 1666 UL 1685 |

Environmental Test Specifications

| | |
|--------------------------------------|-------------------------------------|
| Heat Age | -20 °C to +85 °C (-4 °F to +185 °F) |
| Heat Age Test Method | IEC 60794-1 F9 |
| Low High Bend | -20 °C to +70 °C (-4 °F to +158 °F) |
| Low High Bend Test Method | FOTP-37 IEC 60794-1 E11 |
| Temperature Cycle | -20 °C to +70 °C (-4 °F to +158 °F) |
| Temperature Cycle Test Method | FOTP-3 IEC 60794-1 F1 |

Packaging and Weights

| | |
|---------------------|--------------------------|
| Cable weight | 98 kg/km 65.853 lb/kft |
|---------------------|--------------------------|

Regulatory Compliance/Certifications

| Agency | Classification |
|---------------|--|
| ISO 9001:2015 | Designed, manufactured and/or distributed under this quality management system |

Included Products

CS-8Z-RB-INDOOR – Low Water Peak Dispersion-Unshifted Singlemode Fiber

* Footnotes

Operating Temperature Specification applicable to non-terminated bulk fiber cable

CS-8Z-RB-INDOOR

Low Water Peak Dispersion-Unshifted Singlemode Fiber

Product Classification

| | |
|---------------------|---------------|
| Portfolio | CommScope® |
| Product Type | Optical fiber |

General Specifications

| | |
|--|--|
| Cladding Diameter | 125 µm |
| Cladding Diameter Tolerance | ±0.7 µm |
| Cladding Non-Circularity, maximum | 1 % |
| Coating Diameter (Colored) | 250 µm |
| Coating Diameter (Uncolored) | 245 µm |
| Coating Diameter Tolerance (Colored) | ±15 µm |
| Coating Diameter Tolerance (Uncolored) | ±10 µm |
| Coating/Cladding Concentricity Error, maximum | 12 µm |
| Core/Clad Offset, maximum | 0.5 µm |
| Proof Test | 689.476 N/mm ² 100000 psi |

Dimensions

| | |
|----------------------------|-----------------|
| Fiber Curl, minimum | 4 m 13.123 ft |
|----------------------------|-----------------|

Mechanical Specifications

| | |
|---|---|
| Macrobending, 20 mm Ø mandrel, 1 turn | 0.75 dB @ 1,550 nm 1.50 dB @ 1,625 nm |
| Macrobending, 30 mm Ø mandrel, 10 turns | 0.25 dB @ 1,550 nm 1.00 dB @ 1,625 nm |
| Macrobending, 60 mm Ø mandrel, 100 turns | 0.03 dB @ 1,550 nm 0.03 dB @ 1,625 nm |
| Coating Strip Force, maximum | 8.9 N 2.001 lbf |
| Coating Strip Force, minimum | 1.3 N 0.292 lbf |
| Dynamic Fatigue Parameter, minimum | 18 |

Optical Specifications

| | |
|--|---------------------|
| Cabled Cutoff Wavelength, maximum | 1260 nm |
| Point Defects, maximum | 0.1 dB |
| Zero Dispersion Slope, maximum | 0.092 ps/[km-nm-nm] |

CS-8Z-RB-INDOOR

| | |
|--|---------|
| Zero Dispersion Wavelength, maximum | 1324 nm |
| Zero Dispersion Wavelength, minimum | 1300 nm |

Optical Specifications, Wavelength Specific

| | |
|--|---|
| Attenuation, maximum | 0.30 dB/km @ 1,550 nm 0.40 dB/km @ 1,310 nm 0.40 dB/km @ 1,385 nm |
| Backscatter Coefficient | -79.6 dB @ 1,310 nm -82.1 dB @ 1,550 nm |
| Dispersion, maximum | 18 ps(nm-km) at 1550 nm 3.5 ps(nm-km) from 1285 nm to 1330 nm at 1310 nm |
| Index of Refraction | 1.467 @ 1,310 nm 1.468 @ 1,385 nm 1.468 @ 1,550 nm |
| Mode Field Diameter | 10.4 μm @ 1,550 nm 9.2 μm @ 1,310 nm 9.6 μm @ 1,385 nm |
| Mode Field Diameter Tolerance | $\pm 0.4 \mu\text{m}$ @ 1310 nm $\pm 0.5 \mu\text{m}$ @ 1550 nm $\pm 0.6 \mu\text{m}$ @ 1385 nm |
| Polarization Mode Dispersion Link Design Value, maximum | 0.2 ps/sqrt(km) |
| Standards Compliance | ITU-T G.652.D ITU-T G.657.A1 TIA-492CAAB (OS2) |

Environmental Specifications

| | |
|--|--------------------|
| Heat Aging, maximum | 0.05 dB/km @ 85 °C |
| Temperature Dependence, maximum | 0.05 dB/km |
| Temperature Humidity Cycling, maximum | 0.05 dB/km |
| Water Immersion, maximum | 0.05 dB/km @ 23 °C |

Regulatory Compliance/Certifications

| Agency | Classification |
|---------------|--|
| ISO 9001:2015 | Designed, manufactured and/or distributed under this quality management system |

* Footnotes

| | |
|--|---|
| Temperature Dependence, maximum | Temperature dependence is conducted at -60 °C to +85 °C (-76 °F to +185 °F) |
| Temperature Humidity Cycling, maximum | Temperature humidity cycling is conducted at -10 °C to +85 °C (+14 °F to +185 °F) up to 95% relative humidity |