

# PFC-304016

---



## Powered Fiber Cable, OM3, 4 Fibers, Outdoor, 16AWG Conductor

- Easy peel, stranded conductors for maximum cable flexibility and rapid access
- Polarization indentation along one side of the cable for polarity identification
- No special tools or mounting hardware required - usage of a standard "FTTH" pressure clamp for aerial installation
- Easy split of cable into three separate sections for separate routing in closures, as needed for installation
- Polyethylene jacket for outdoor duct or direct buried applications

## Product Classification

### Regional Availability

Asia | Australia/New Zealand | EMEA | Latin America | North America

### Product Type

Hybrid cable, fiber and power

### Ordering Note

Minimum order quantity is 500 meter

## General Specifications

### Cable Type

Stranded outdoor

### Fiber Short Description

PFC-016

### Jacket Color

Black

### Total Fiber Count

4

## Dimensions

### Height Over Jacket

4.318 mm | 0.17 in

### Width Over Jacket

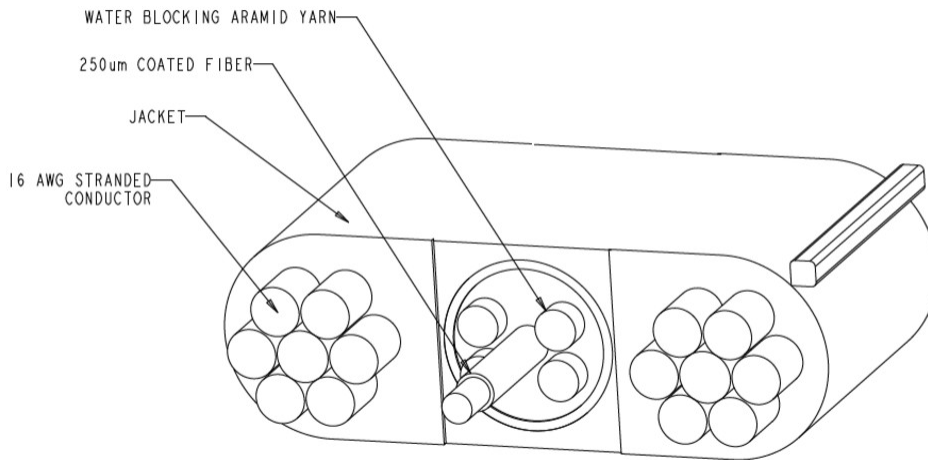
11.43 mm | 0.45 in

### Conductor Gauge

16 AWG

## Outline Drawing

# PFC-304016



## Mechanical Specifications

<b>Minimum Bend Radius, loaded</b>	50.8 mm   2 in
<b>Minimum Bend Radius, unloaded</b>	30.48 mm   1.2 in
<b>Tensile Load, long term, maximum</b>	133.447 N   30 lbf
<b>Tensile Load, short term, maximum</b>	440.374 N   99 lbf
<b>Vertical Rise, maximum</b>	122.011 m   400.3 ft

## Optical Specifications

<b>Fiber Type</b>	OM3, bend insensitive
-------------------	-----------------------

## Environmental Specifications

<b>Installation temperature</b>	-10 °C to +60 °C (+14 °F to +140 °F)
<b>Operating Temperature</b>	-40 °C to +70 °C (-40 °F to +158 °F)
<b>Storage Temperature</b>	-40 °C to +70 °C (-40 °F to +158 °F)
<b>Cable Qualification Standards</b>	Telcordia GR-20-CORE Issue 4
<b>Environmental Space</b>	Outdoor
<b>Jacket UV Resistance</b>	UV stabilized

## Packaging and Weights

<b>Cable weight</b>	69.944 kg/km   47 lb/kft
---------------------	--------------------------

# PFC-304016

---

## Regulatory Compliance/Certifications

Agency	Classification
CHINA-ROHS	Below maximum concentration value
REACH-SVHC	Compliant as per SVHC revision on <a href="http://www.commscope.com/ProductCompliance">www.commscope.com/ProductCompliance</a>
ROHS	Compliant



## Included Products

CS-5E-PFC – 50µm OM3 Bend-Insensitive Multimode Fiber

## \* Footnotes

**Operating Temperature** Specification applicable to non-terminated bulk fiber cable

# CS-5E-PFC

---

## 50µm OM3 Bend-Insensitive Multimode Fiber

### Product Classification

<b>Portfolio</b>	CommScope®
<b>Product Type</b>	Optical fiber

### General Specifications

<b>Cladding Diameter</b>	125 µm
<b>Cladding Diameter Tolerance</b>	±0.8 µm
<b>Cladding Non-Circularity, maximum</b>	0.7 %
<b>Coating Diameter (Colored)</b>	242 µm
<b>Coating Diameter Tolerance (Colored)</b>	±7 µm
<b>Coating/Cladding Concentricity Error, maximum</b>	10 µm
<b>Core Diameter</b>	50 µm
<b>Core Diameter Tolerance</b>	±2.5 µm
<b>Core/Clad Offset, maximum</b>	1 µm
<b>Proof Test</b>	689.476 N/mm <sup>2</sup>   100000 psi

### Mechanical Specifications

<b>Macrobending, 15 mm mandrel, 2 turns</b>	0.20 dB @ 850 nm   0.50 dB @ 1,300 nm
<b>Macrobending, 30 mm mandrel, 2 turns</b>	0.10 dB @ 850 nm   0.30 dB @ 1,300 nm
<b>Coating Strip Force, maximum</b>	8.9 N   2.001 lbf
<b>Coating Strip Force, minimum</b>	1.3 N   0.292 lbf
<b>Dynamic Fatigue Parameter, minimum</b>	25

### Optical Specifications

<b>Numerical Aperture</b>	0.2
<b>Numerical Aperture Tolerance</b>	±0.015
<b>Point Defects, maximum</b>	0.2 dB
<b>Zero Dispersion Slope, maximum</b>	0.105 ps/[km-nm-nm]
<b>Zero Dispersion Wavelength, maximum</b>	1340 nm
<b>Zero Dispersion Wavelength, minimum</b>	1295 nm

### Optical Specifications, Wavelength Specific

# CS-5E-PFC

---

<b>Attenuation, maximum</b>	1.20 dB/km @ 1,300 nm   3.00 dB/km @ 850 nm
<b>Backscatter Coefficient</b>	-68.0 dB @ 850 nm   -75.7 dB @ 1,300 nm
<b>Bandwidth, Laser, minimum</b>	2,000 MHz-km @ 850 nm   500 MHz-km @ 1,300 nm
<b>Bandwidth, OFL, minimum</b>	1,500 MHz-km @ 850 nm   500 MHz-km @ 1,300 nm
<b>Differential Mode Delay Note</b>	Superior to TIA-492AAAC and IEC 60793-2-10 at 850 nm
<b>Index of Refraction</b>	1.477 @ 1,300 nm   1.482 @ 850 nm
<b>Standards Compliance</b>	TIA-492AAAC (OM3)

## Environmental Specifications

<b>Heat Aging, maximum</b>	0.10 dB/km @ 85 °C
<b>Temperature Dependence, maximum</b>	0.1 dB/km
<b>Temperature Humidity Cycling, maximum</b>	0.1 dB/km
<b>Water Immersion, maximum</b>	0.10 dB/km @ 23 °C

## Regulatory Compliance/Certifications

<b>Agency</b>	<b>Classification</b>
ISO 9001:2015	Designed, manufactured and/or distributed under this quality management system



### \* Footnotes

<b>Temperature Dependence, maximum</b>	Temperature dependence is conducted at -60 °C to +85 °C (-76 °F to +185 °F)
<b>Temperature Humidity Cycling, maximum</b>	Temperature humidity cycling is conducted at -10 °C to +85 °C (+14 °F to +185 °F) up to 95% relative humidity