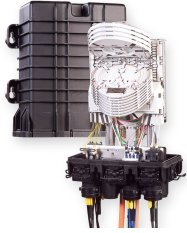


CJ9788-000 | FIST-GC02-FD6-GV



FIST® GC02 Fiber Optic Splice Closure, Heat Shrink or Gold Gel Cable sealing, size FD, no pre-installed fiber trays, 6 round ports + 1 oval port, with test valve and grounding option

- Single-ended, O-ring sealed dome closure for splicing feeder and distribution cables
- Compatible with most common cable types: e.g. loose tube, central core, ribbon fiber
- Universal mounting system (UMS) profiles provide foundation for mounting combinations of FIST splice trays
- Closure can be used in aerial, pedestal and underground (up to 5 meters) environments
- Compatible with CommScope's CWDM modules and optical splitter trays

Product Classification

| | |
|------------------------------|---|
| Regional Availability | EMEA |
| Product Type | Single-ended, rectangular fiber closure |
| Product Brand | FIST® |
| Product Series | FIST-GC02 |

General Specifications

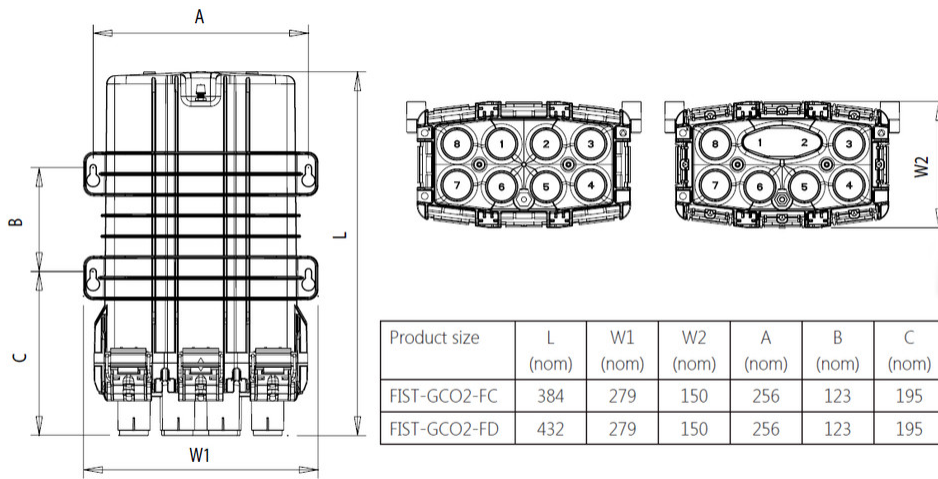
| | |
|--|---|
| Cable Entry Drop Port Style | Round |
| Cable Entry Main Port Style | Oval |
| Cable Ports Quantity, total | 1 oval port (2 cables) + 6 round ports |
| Cable Sealing Type | Gel kit (optional) Heat shrink |
| Closure Sealing Type | Base and dome sealed with latches and O-ring system |
| Closure Style | Single-ended |
| Color | Black |
| Flash Test Valve | Pre-installed |
| Ground Feed-through | Included |
| Mounting | Pole Strand Wall |
| Network Area Type | Distribution |
| Splice Tray Included, quantity | 0 |
| Splice Tray Type Included | No trays |
| Splicing Capacity, Mass Fusion, maximum | 432 |
| Splicing Capacity, Single Fusion, maximum | 576 |
| Splicing Type, Supported | Mass fusion Single fusion |

CJ9788-000 | FIST-GCO2-FD6-GV

Dimensions

| | |
|---------------------------------------|--------------------|
| Height | 279 mm 10.984 in |
| Width | 150 mm 5.906 in |
| Length | 432 mm 17.008 in |
| Cable Entry Drop Port Diameter | 30 mm (1.18 in) mm |
| Main Cable Diameter, maximum | 25 mm 0.984 in |

Dimension Drawing



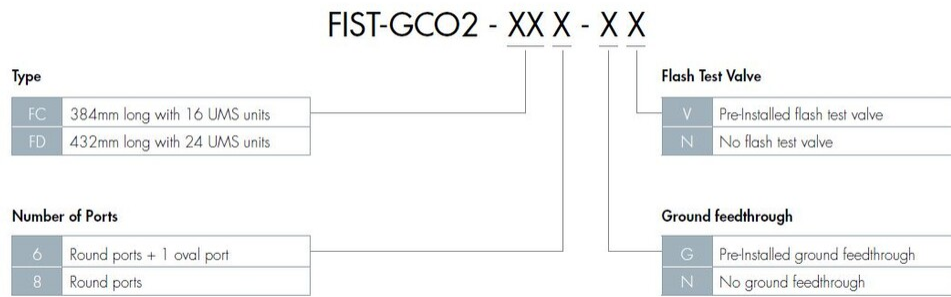
| Product size | L (nom) | W1 (nom) | W2 (nom) | A (nom) | B (nom) | C (nom) |
|--------------|------------|-------------|-------------|------------|------------|------------|
| FIST-GCO2-FC | 384 | 279 | 150 | 256 | 123 | 195 |
| FIST-GCO2-FD | 432 | 279 | 150 | 256 | 123 | 195 |

Splicing Configuration

| | FC | FD |
|---|----|-----|
| UMS Units | 16 | 24 |
| # SC/SLE 4mm trays | | 16 |
| # SE 8mm trays | | 8 |
| # SHD 4mm trays | | 16 |
| # R12 12mm FLAT ribbon trays | | 5 |
| Max. Single splice capacity SC trays (4F/SC) | | 64 |
| Max. Single splice capacity high dense trays (12F/SLE) | | 192 |
| Max. Single splice capacity SE trays (12F/SE) | | 96 |
| Max. Single splice capacity Super high dense trays (24F/SHD) | | 384 |
| Max. mass splice capacity R12 trays (FLAT ribbon) | | 120 |
| Max. mass splice capacity SE trays (Rollable ribbon G657A2 fiber) | | 288 |

Ordering Tree

CJ9788-000 | FIST-GCO2-FD6-GV



Material Specifications

Material Type Impact-resistant polymer

Environmental Specifications

Environmental Space Below ground | Buried

Qualification Standards IEC 61300, 5 m waterhead

Water Resistance Flash test valve at 5 psi (40 kPa)

Packaging and Weights

Packaging quantity 1

Packaging Type Box | Carton

Weight, net 3.4 kg | 7.496 lb

Regulatory Compliance/Certifications

| Agency | Classification |
|---------------|--|
| CHINA-ROHS | Below maximum concentration value |
| ISO 9001:2015 | Designed, manufactured and/or distributed under this quality management system |
| REACH-SVHC | Compliant as per SVHC revision on www.commscope.com/ProductCompliance |
| ROHS | Compliant |
| UK-ROHS | Compliant |

