

CS8162-000 | BUDI-M-SP-A



BUDI™ Fiber Optic Wall mount Enclosure, empty for holding FIST Splice Trays, without lock

- Compact, wall mountable fiber enclosures for indoor and outdoor use
- Specifically designed for fast FTTH deployment and easy customer connection
- Available with splicing (FIST) and/or patching and/or splitter combinations
- Multiple and modular wrap around cable port sealing options

Product Classification

Regional Availability	EMEA
Portfolio	CommScope®
Product Type	Fiber wall box
Product Brand	BUDI™
Product Series	BUDI-M

General Specifications

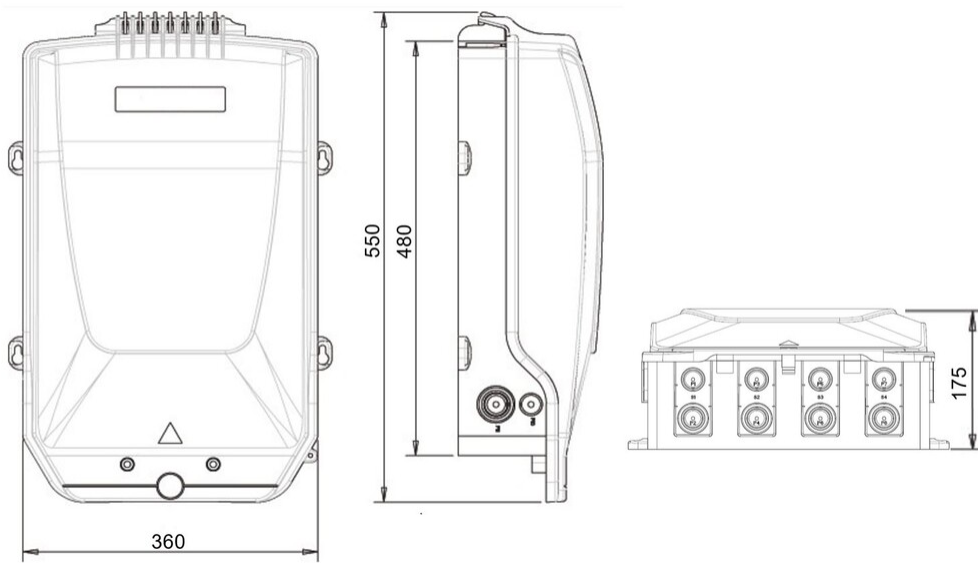
Functionality	Splicing
Access	Front
Enclosure Color	Gray
Front Cover Type	Snap-on cover
Interface	Splicing only
Mounting	Wall
Splicing Capacity, maximum	216

Dimensions

Height	480 mm 18.898 in
Height, with cover	550 mm 21.654 in
Width	360 mm 14.173 in
Depth	175 mm 6.89 in

Dimension Drawing

CS8162-000 | BUDI-M-SP-A



Material Specifications

Enclosure Material Type LSZH thermoplastic

Environmental Specifications

Environmental Space Indoor/Outdoor

Qualification Standards IEC 60529, IP54 | IEC 61753-1, category G

Packaging and Weights

Packaging quantity 1

Packaging Type Box | Carton

Regulatory Compliance/Certifications

Agency	Classification
CHINA-ROHS	Above maximum concentration value
ROHS	Compliant/Exempted
UK-ROHS	Compliant/Exempted

