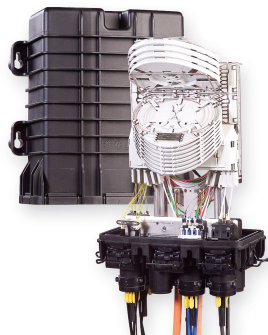


# CU7645-000 | FIST-GC02-FD6-GN



FIST® GC02 Fiber Optic Splice Closure, Heat Shrink or Gold Gel Cable sealing, size FD, no pre-installed fiber trays, 6 round ports + 1 oval port; with grounding option

- Single-ended, O-ring sealed dome closure for splicing feeder and distribution cables
- Compatible with most common cable types: e.g. loose tube, central core, ribbon fiber
- Universal mounting system (UMS) profiles provide foundation for mounting combinations of FIST splice trays
- Closure can be used in aerial, pedestal and underground (up to 5 meters) environments
- Compatible with CommScope's CWDM modules and optical splitter trays

## Product Classification

<b>Regional Availability</b>	EMEA
<b>Product Type</b>	Single-ended, rectangular fiber closure
<b>Product Brand</b>	FIST®
<b>Product Series</b>	FIST-GC02

## General Specifications

<b>Cable Entry Drop Port Style</b>	Round
<b>Cable Entry Main Port Style</b>	Oval
<b>Cable Ports Quantity, total</b>	1 oval port (2 cables) + 6 round ports
<b>Cable Sealing Type</b>	Gel kit (optional)   Heat shrink
<b>Closure Sealing Type</b>	Base and dome sealed with latches and O-ring system
<b>Closure Style</b>	Single-ended
<b>Color</b>	Black
<b>Mounting</b>	Pole   Strand   Wall
<b>Network Area Type</b>	Distribution
<b>Splice Tray Included, quantity</b>	0
<b>Splicing Capacity, Mass Fusion, maximum</b>	432
<b>Splicing Capacity, Single Fusion, maximum</b>	576
<b>Splicing Type, Supported</b>	Mass fusion   Single fusion

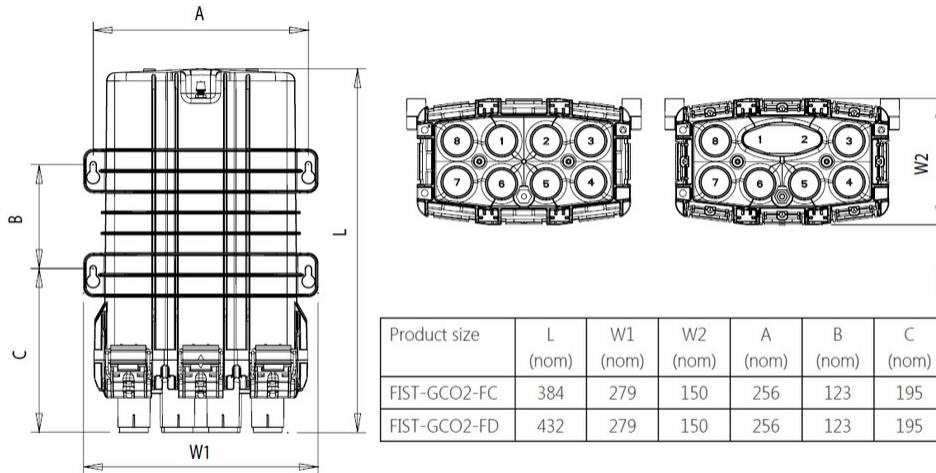
## Dimensions

<b>Height</b>	279 mm   10.984 in
---------------	--------------------

# CU7645-000 | FIST-GCO2-FD6-GN

<b>Width</b>	150 mm   5.906 in
<b>Length</b>	432 mm   17.008 in
<b>Cable Entry Drop Port Diameter</b>	30 mm   1.181 in
<b>Main Cable Diameter, maximum</b>	25 mm   0.984 in

## Dimension Drawing

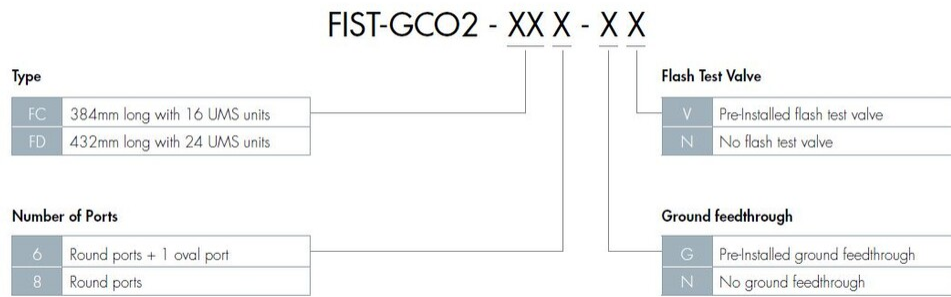


## Splicing Configuration

	<b>FC</b>	<b>FD</b>
<b>UMS Units</b>	<b>16</b>	<b>24</b>
# SC/SLE 4mm trays		16
# SE 8mm trays		8
# SHD 4mm trays		16
# R12 12mm FLAT ribbon trays		5
Max. Single splice capacity SC trays (4F/SC)		64
Max. Single splice capacity high dense trays (12F/SLE)		192
Max. Single splice capacity SE trays (12F/SE)		96
Max. Single splice capacity Super high dense trays (24F/SHD)		384
Max. mass splice capacity R12 trays (FLAT ribbon)		120
Max. mass splice capacity SE trays (Rollable ribbon G657A2 fiber)		288

## Ordering Tree

# CU7645-000 | FIST-GCO2-FD6-GN



## Material Specifications

**Material Type** Impact-resistant polymer

## Environmental Specifications

**Environmental Space** Below ground | Buried

**Qualification Standards** IEC 61300, 5 m waterhead

## Packaging and Weights

**Packaging quantity** 1

**Packaging Type** Box | Carton

**Weight, net** 3.4 kg | 7.496 lb

## Regulatory Compliance/Certifications

Agency	Classification
CHINA-ROHS	Below maximum concentration value
ISO 9001:2015	Designed, manufactured and/or distributed under this quality management system
REACH-SVHC	Compliant as per SVHC revision on <a href="http://www.commscope.com/ProductCompliance">www.commscope.com/ProductCompliance</a>
ROHS	Compliant

