

CY3251-000 | BUDI-M-TA-B



BUDI™ Fiber Optic Wall mount Enclosure, empty for holding FIST Splice Trays and Fiber Optic Adapters, with lock

- Compact, wall mountable fiber enclosures for indoor and outdoor use
- Specifically designed for fast FTTH deployment and easy customer connection
- Available with splicing (FIST) and/or patching and/or splitter combinations
- Multiple and modular wrap around cable port sealing options

Product Classification

| | |
|------------------------------|----------------|
| Regional Availability | EMEA |
| Portfolio | CommScope® |
| Product Type | Fiber wall box |
| Product Brand | BUDI™ |
| Product Series | BUDI-M |

General Specifications

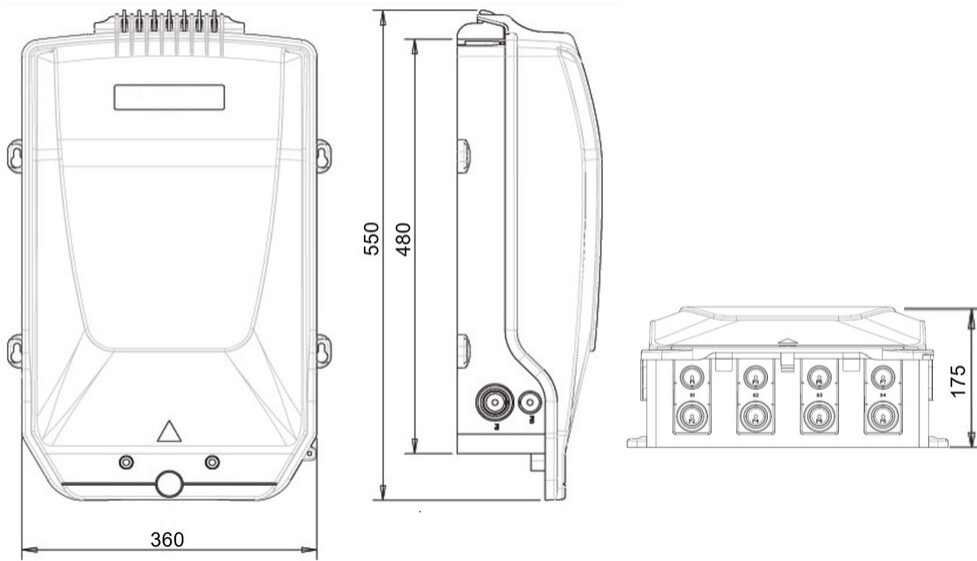
| | |
|-----------------------------------|---------------------|
| Functionality | Patching Splicing |
| Access | Front |
| Enclosure Color | Gray |
| Front Cover Type | Snap-on cover |
| Interface | Unloaded |
| Lock Type | Key lock |
| Mounting | Wall |
| Splicing Capacity, maximum | 144 |

Dimensions

| | |
|---------------------------|--------------------|
| Height | 480 mm 18.898 in |
| Height, with cover | 550 mm 21.654 in |
| Width | 360 mm 14.173 in |
| Depth | 175 mm 6.89 in |

Dimension Drawing

CY3251-000 | BUDI-M-TA-B



Material Specifications

Enclosure Material Type LSZH thermoplastic

Environmental Specifications

Environmental Space Indoor/Outdoor

Qualification Standards IEC 60529, IP54 | IEC 61753-1, category G

Packaging and Weights

Packaging quantity 1

Packaging Type Box | Carton

Regulatory Compliance/Certifications

| Agency | Classification |
|------------|-----------------------------------|
| CHINA-ROHS | Above maximum concentration value |
| ROHS | Compliant/Exempted |
| UK-ROHS | Compliant/Exempted |

