

EH1821-000 | BUDI-M-TA-B-36S236CS



BUDI™ Fiber Optic Wall mount Enclosure, 36 SC/APC adapters, single circuit FIST splice trays for 36 SMOUV splices

- Compact, wall mountable fiber enclosures for indoor and outdoor use
- Specifically designed for fast FTTH deployment and easy customer connection
- Available with splicing (FIST) and/or patching and/or splitter combinations
- Multiple and modular wrap around cable port sealing options

Product Classification

Regional Availability	EMEA
Portfolio	CommScope®
Product Type	Fiber wall box
Product Brand	BUDI™
Product Series	BUDI-M

General Specifications

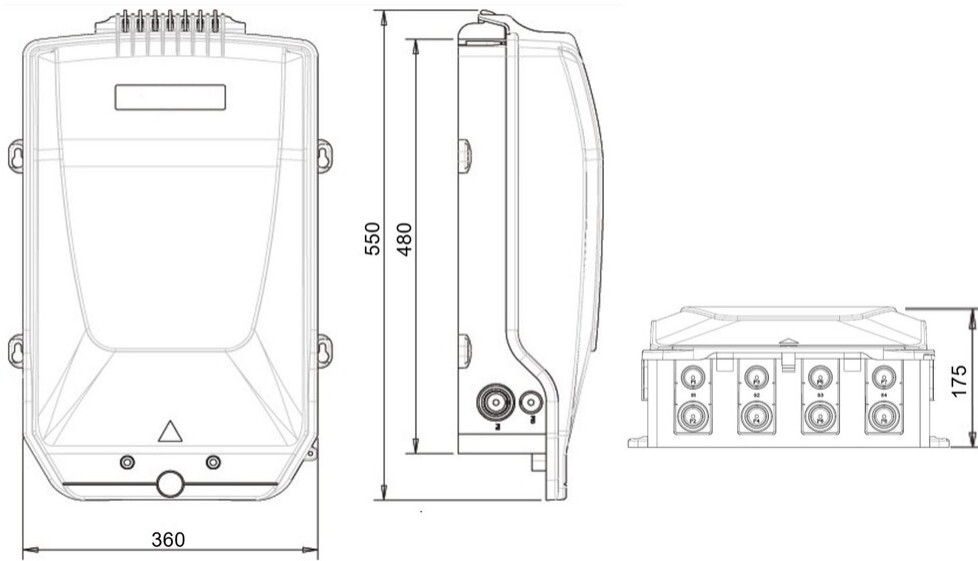
Functionality	Patching Splicing
Access	Front
Enclosure Color	Gray
Front Cover Type	Snap-on cover
Interface	SC/APC
Mounting	Wall
Port, quantity	36
Splice Tray Construction	SC (Single circuit)
Splicing Capacity, maximum	36

Dimensions

Height	480 mm 18.898 in
Height, with cover	550 mm 21.654 in
Width	360 mm 14.173 in
Depth	175 mm 6.89 in

Dimension Drawing

EH1821-000 | BUDI-M-TA-B-36S236CS



Material Specifications

Enclosure Material Type LSZH thermoplastic

Optical Specifications

Fiber Mode Singlemode

Environmental Specifications

Environmental Space Indoor/Outdoor

Qualification Standards IEC 60529, IP54 | IEC 61753-1, category G

Packaging and Weights

Packaging quantity 1

Packaging Type Box | Carton

Regulatory Compliance/Certifications

Agency	Classification
CHINA-ROHS	Above maximum concentration value
ROHS	Compliant/Exempted
UK-ROHS	Compliant/Exempted



