

FL1-G377NNN2-1000C



FL1000 Fiber Wall Box, 2-door, singlemode SC/UPC, 12-ports, with pigtails and splice tray, 1 cable clamp, 2 key locks

- Ideal for small to medium fiber counts within communication rooms or closets at customer sites
- Provides demarcation access for the telecom carrier and the end-user by way of separate compartments
- Guarantees mechanical protection and fiber management for indoor and outdoor cable
- Fully customizable for patch-patch, splice-patch or for the storage of un-terminated (dark) fibers

Product Classification

| | |
|------------------------------|----------------|
| Regional Availability | North America |
| Product Type | Fiber wall box |
| Product Series | FL1000 |

General Specifications

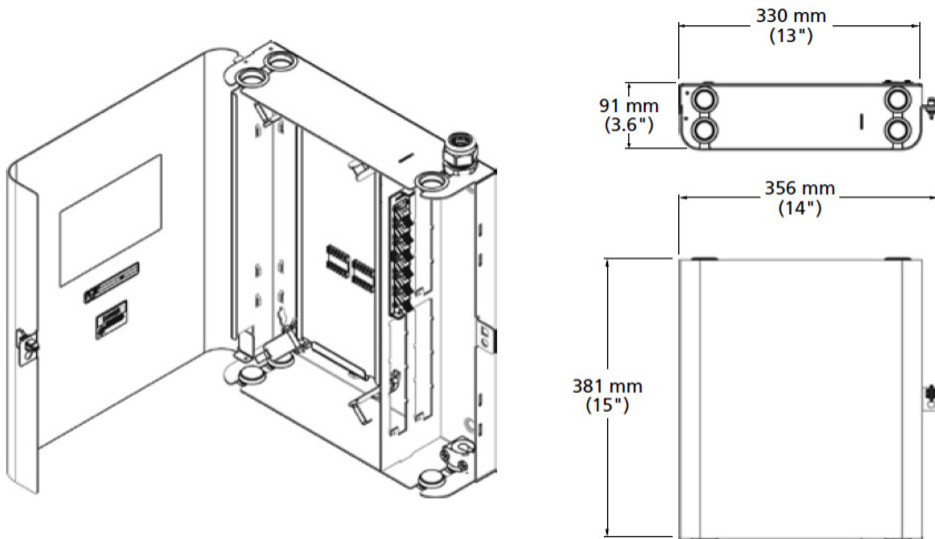
| | |
|---|---|
| Functionality | Patching Splicing |
| Application | Patching Splicing |
| Adapter Packs Included, quantity | 2 |
| Adapters, quantity | 12 |
| Cable Clamps, quantity | 1 |
| Cable Entry Location | Bottom left Bottom right Top left Top right |
| Cable Type | Pigtails - Stranded |
| Color | Putty white |
| Door, quantity | 2 |
| Front Door Type | Single hinged |
| Growth Configuration | Fully loaded |
| Interface | SC/UPC |
| Lock Type | Key lock, type A Key lock, type B |
| Mounting | Wall |
| Splicing Type | Heat shrink, mass fusion |
| Total Fibers, quantity | 12 |
| Total Ports, quantity | 12 |

Dimensions

FL1-G377NNN2-1000C

| | |
|---------------|---------------------|
| Height | 433 mm 17.047 in |
| Width | 511 mm 20.118 in |
| Depth | 156.97 mm 6.18 in |

Outline Drawing



Material Specifications

| | |
|----------------------|---------------|
| Finish | Powder coated |
| Material Type | Steel |

Optical Specifications

| | |
|-------------------|------------|
| Fiber Mode | Singlemode |
|-------------------|------------|

Environmental Specifications

| | |
|--------------------------------|--------------|
| Environmental Space | Indoor |
| Qualification Standards | NEMA type 12 |

Packaging and Weights

| | |
|---------------------------|--------------|
| Packaging quantity | 1 |
| Packaging Type | Bag Carton |

FL1-G377NNN2-1000C

Regulatory Compliance/Certifications

| Agency | Classification |
|---------------|--|
| CHINA-ROHS | Above maximum concentration value |
| REACH-SVHC | Compliant as per SVHC revision on www.commscope.com/ProductCompliance |
| ROHS | Compliant/Exempted |
| UK-ROHS | Compliant/Exempted |

