

FL1-G3JJN2-0010N



FL1000 Fiber Wall Box, 2-door, singlemode SC/APC, 12-ports, with pigtailed and splice tray, 1 grounding kit

- Ideal for small to medium fiber counts within communication rooms or closets at customer sites
- Provides demarcation access for the telecom carrier and the end-user by way of separate compartments
- Guarantees mechanical protection and fiber management for indoor and outdoor cable
- Fully customizable for patch-patch, splice-patch or for the storage of un-terminated (dark) fibers

Product Classification

Regional Availability	North America
Product Type	Fiber wall box
Product Series	FL1000

General Specifications

Functionality	Patching Splicing
Application	Patching Splicing
Adapter Packs Included, quantity	2
Adapters, quantity	12
Cable Entry Location	Bottom left Bottom right Top left Top right
Cable Type	Pigtails - Stranded
Color	Putty white
Door, quantity	2
Front Door Type	Single hinged
Growth Configuration	Fully loaded
Interface	SC/APC
Mounting	Wall
Splicing Type	Heat shrink, mass fusion
Total Fibers, quantity	12
Total Ports, quantity	12

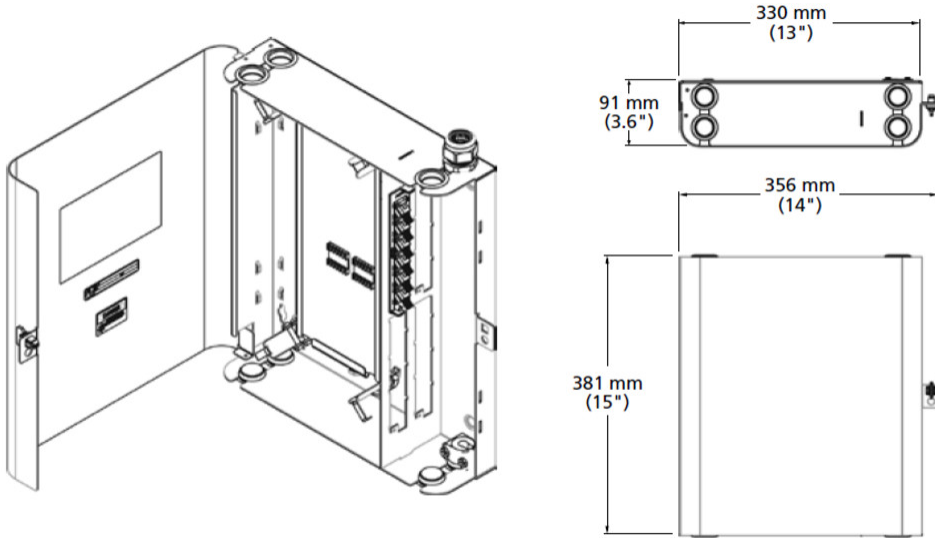
Dimensions

Height	433 mm 17.047 in
Width	511 mm 20.118 in

FL1-G3JJNN2-0010N

Depth 156.97 mm | 6.18 in

Outline Drawing



Material Specifications

Finish Powder coated
Material Type Steel

Optical Specifications

Fiber Mode Singlemode

Environmental Specifications

Environmental Space Indoor
Qualification Standards NEMA type 12

Packaging and Weights

Included One grounding kit
Packaging quantity 1
Packaging Type Bag | Carton

Regulatory Compliance/Certifications

FL1-G3JJN2-0010N

Agency**Classification**

CHINA-ROHS

Above maximum concentration value

REACH-SVHC

Compliant as per SVHC revision on www.commscope.com/ProductCompliance

ROHS

Compliant/Exempted

UK-ROHS

Compliant/Exempted

