

FL1-J6777772-2222D



FL1000 Fiber Wall Box, 2-door, singlemode SC/UPC, 48-ports, with softwall bundled pigtails and splice tray, 2 cable clamps, 2 compression fittings, 2 grounding kits, 2 strength member tie offs, 1 key lock

- Ideal for small to medium fiber counts within communication rooms or closets at customer sites
- Provides demarcation access for the telecom carrier and the end-user by way of separate compartments
- Guarantees mechanical protection and fiber management for indoor and outdoor cable
- Fully customizable for patch-patch, splice-patch or for the storage of un-terminated (dark) fibers

Product Classification

| | |
|------------------------------|----------------|
| Regional Availability | North America |
| Product Type | Fiber wall box |
| Product Series | FL1000 |

General Specifications

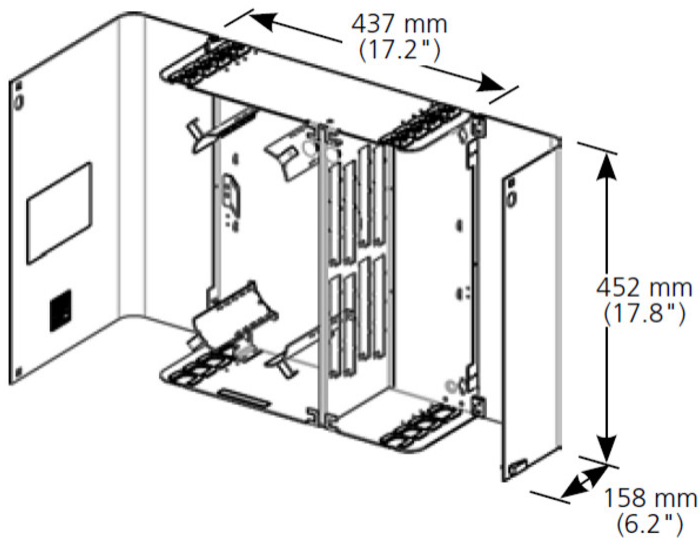
| | |
|---------------------------------------------|---------------------------------------------------|
| Application | Patching Splicing |
| Adapter Packs Included, quantity | 8 |
| Adapters, quantity | 48 |
| Cable Clamps, quantity | 2 |
| Cable Compression Fittings, quantity | 2 |
| Cable Entry Location | Bottom left Bottom right Top left Top right |
| Cable Type | Pigtails - Stranded |
| Color | Putty white |
| Door, quantity | 2 |
| Front Door Type | Single hinged |
| Growth Configuration | Fully loaded |
| Interface | SC/UPC |
| Lock Type | Key lock |
| Mounting | Wall |
| Splicing Type | Heat shrink, mass fusion |
| Total Fibers, quantity | 48 |
| Total Ports, quantity | 48 |

FL1-J6777772-2222D

Dimensions

| | |
|---------------|---------------------|
| Height | 708 mm 27.874 in |
| Width | 669 mm 26.339 in |
| Depth | 235.97 mm 9.29 in |

Outline Drawing



Material Specifications

| | |
|----------------------|---------------|
| Finish | Powder coated |
| Material Type | Steel |

Optical Specifications

| | |
|-------------------|------------|
| Fiber Mode | Singlemode |
|-------------------|------------|

Environmental Specifications

| | |
|--------------------------------|--------------|
| Environmental Space | Indoor |
| Qualification Standards | NEMA type 12 |

Packaging and Weights

| | |
|-----------------|----------------------|
| Included | Two tie-off adapters |
|-----------------|----------------------|

FL1-J6777772-2222D

Packaging quantity 1
Packaging Type Bag | Carton

Regulatory Compliance/Certifications

| Agency | Classification |
|---------------|--------------------------------------------------------------------------------------------------------------------------------|
| CHINA-ROHS | Above maximum concentration value |
| REACH-SVHC | Compliant as per SVHC revision on www.commscope.com/ProductCompliance |
| ROHS | Compliant/Exempted |
| UK-ROHS | Compliant/Exempted |

