

# NGFB-TB4MRUC

---



Next Generation Frame (NGF) Fiber Termination Block, 144 LC/UPC, multimode, right oriented, upward cable exit, black

## Product Classification

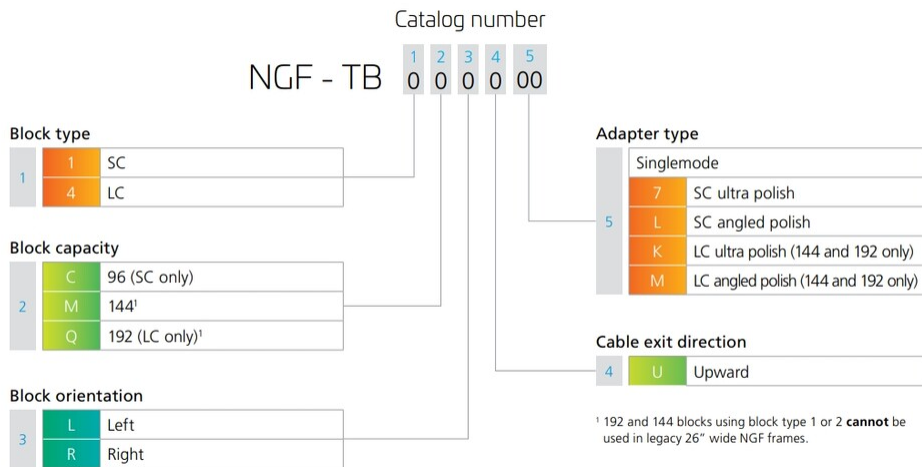
<b>Regional Availability</b>	EMEA   Latin America   North America
<b>Product Type</b>	Fiber patch block
<b>Product Series</b>	NGFB

## General Specifications

<b>Functionality</b>	Patching
<b>Application</b>	Used in NGF-style frames only
<b>Body Style</b>	Right orientation
<b>Color</b>	Black
<b>Color, front</b>	Black
<b>Door Type, front</b>	Compression latch   Hinged
<b>Growth Configuration</b>	Fully loaded
<b>Interface, front</b>	LC/UPC
<b>Rack Type</b>	NGF
<b>Shelf Movement</b>	Fixed
<b>Total Ports, quantity</b>	144

## Ordering Tree

# NGFB-TB4MRUC



## Material Specifications

<b>Finish</b>	Powder coated
<b>Material Type</b>	Steel

## Optical Specifications

<b>Fiber Mode</b>	Multimode
-------------------	-----------

## Environmental Specifications

<b>Operating Temperature</b>	-5 °C to +50 °C (+23 °F to +122 °F)
<b>Storage Temperature</b>	-40 °C to +70 °C (-40 °F to +158 °F)
<b>Relative Humidity</b>	Up to 80%, non-condensing
<b>Qualification Standards</b>	Telcordia GR-449-CORE

## Packaging and Weights

<b>Packaging quantity</b>	1
---------------------------	---

## Regulatory Compliance/Certifications

Agency	Classification
CHINA-ROHS	Above maximum concentration value
REACH-SVHC	Compliant as per SVHC revision on <a href="https://www.commscope.com/ProductCompliance">www.commscope.com/ProductCompliance</a>
ROHS	Compliant/Exempted
UK-ROHS	Compliant

# NGFB-TB4MRUC

---

