

FD4S-B144J00JBB1



FDH4000, 144 distribution fibers, no splitters loaded, SC/APC, dry dielectric loose tube, 100ft stubs, using 1x144f distribution cable & 1x12f feeder cable

- Thermoplastic construction provides UV stabilization, flame retardancy, and chemical & impact resistance
- Provides air/water tight seal ensuring protection from flooding and fungus
- Unsurpassed reliability makes it ideal for aerial and below grade applications
- Supports diverse Plug-and-Play splitter and xWDM module Configurations

Product Classification

Regional Availability	Asia Australia/New Zealand EMEA Latin America North America
Product Type	Fiber distribution closure
Product Series	FDH 4000

General Specifications

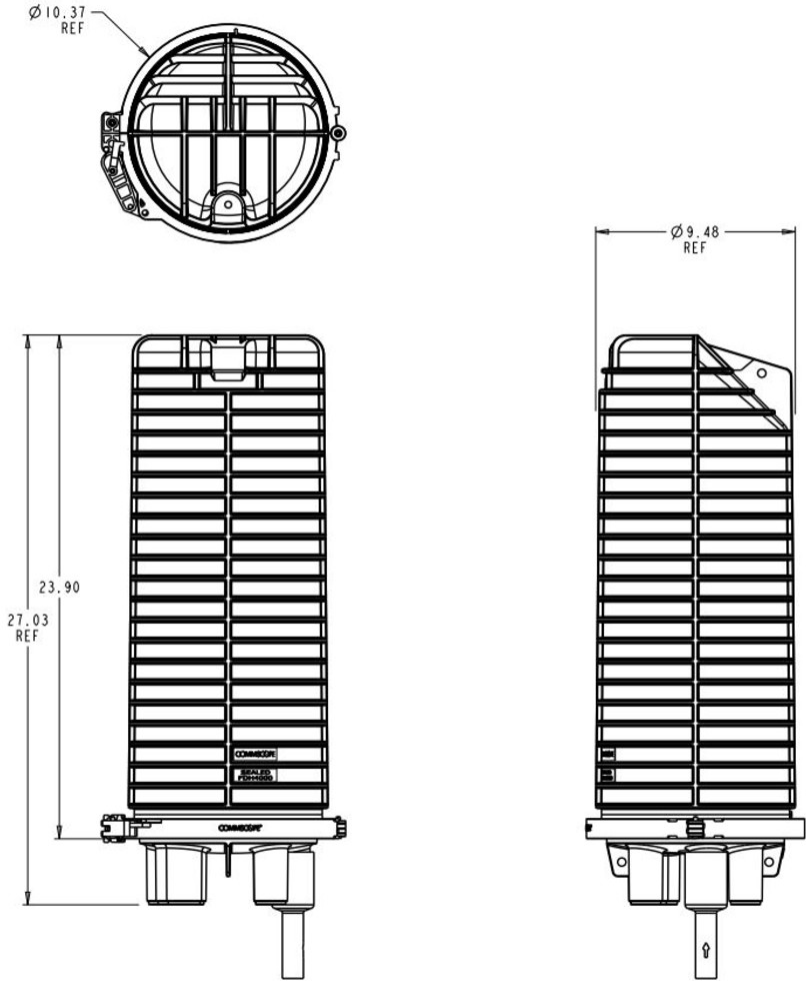
Access	Front
Cable Type	Dry Dielectric - Loose Tube
Color	Black
Distribution Cables, quantity	1
Distribution Ports, quantity	144
Fibers per Distribution Cable, quantity	144
Fibers per Feeder Cable, quantity	12
Interface, Input	SC
Interface Feature, Input	APC
Mounting	Handhole Pole Strand Wall
Splitter Slots, quantity	9

Dimensions

Height	812.8 mm 32 in
Width	241.3 mm 9.5 in
Cable Length	30.48 m 100 ft
Enclosure Size	Small

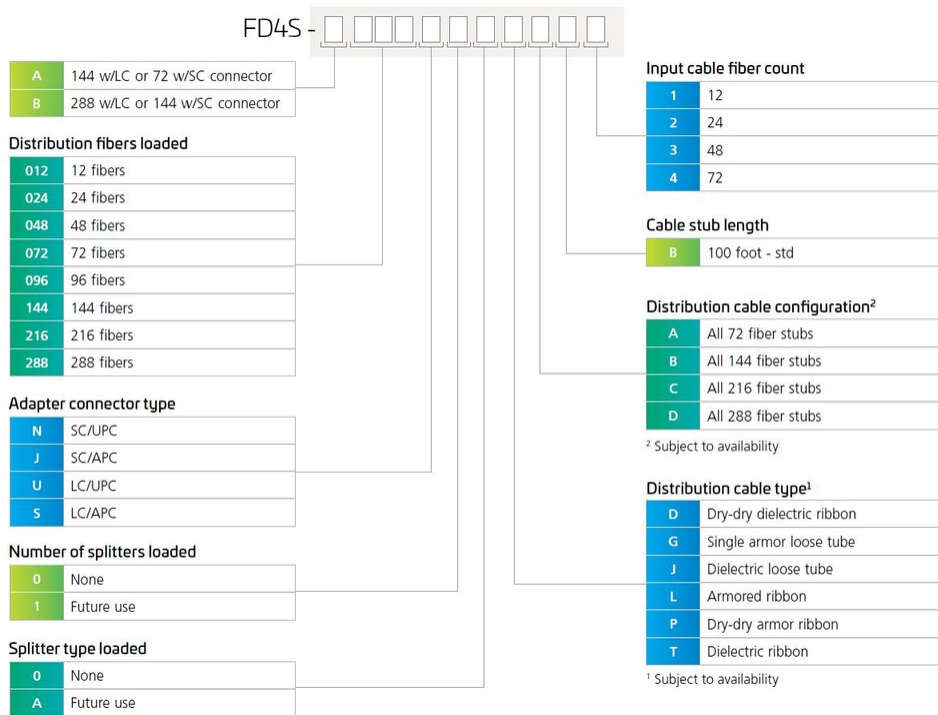
FD4S-B144J00JBB1

Dimension Drawing



Ordering Tree

FD4S-B144J00JBB1



Environmental Specifications

Environmental Space

Above ground | Aerial | Below ground

Qualification Standards

IEC 60529, IP68 | Telcordia GR-3121-CORE | Telcordia GR-3125-CORE

Packaging and Weights

Packaging quantity

1

Packaging Type

Pallet

Weight, net

15.876 kg | 35 lb

Regulatory Compliance/Certifications

Agency

Classification

CHINA-ROHS

Above maximum concentration value

ROHS

Compliant/Exempted

UK-ROHS

Compliant/Exempted

