

# NDX-06BTMOU-A0100F

---



DLX® Fiber Indexing Terminal, 1x4 Splitter, 4 Forward Ports, 1 Reverse Port, Dielectric Flat Loose Tube Cable, 100 Feet

## Product Classification

|                              |  |
|------------------------------|--|
| <b>Regional Availability</b> | North America                          |
| <b>Product Type</b>          | Access terminal, indexed with splitter |
| <b>Product Brand</b>         | DLX®                                   |
| <b>Product Series</b>        | NDX                                    |

## General Specifications

|                               |                                   |
|-------------------------------|-----------------------------------|
| <b>Cable Type</b>             | Dielectric - Flat - Loose Tube    |
| <b>Cable, quantity</b>        | 1                                 |
| <b>Distribution Type</b>      | 1 x 4 splitter                    |
| <b>Enclosure Color</b>        | Black                             |
| <b>Forward Port Type</b>      | Hardened mini-size (DLX) adapter  |
| <b>Forward Port, quantity</b> | 4                                 |
| <b>Mounting</b>               | Handhole   Pedestal   Pole        |
| <b>Port Type</b>              | Hardened multi-fiber (HMFOC) jack |
| <b>Port, quantity</b>         | 4                                 |
| <b>Reverse Port Type</b>      | Hardened mini-size DLX            |
| <b>Reverse Port, quantity</b> | 1                                 |
| <b>Splitter, quantity</b>     | 1                                 |
| <b>Stub Type</b>              | Hardened multi-fiber (HMFOC) plug |

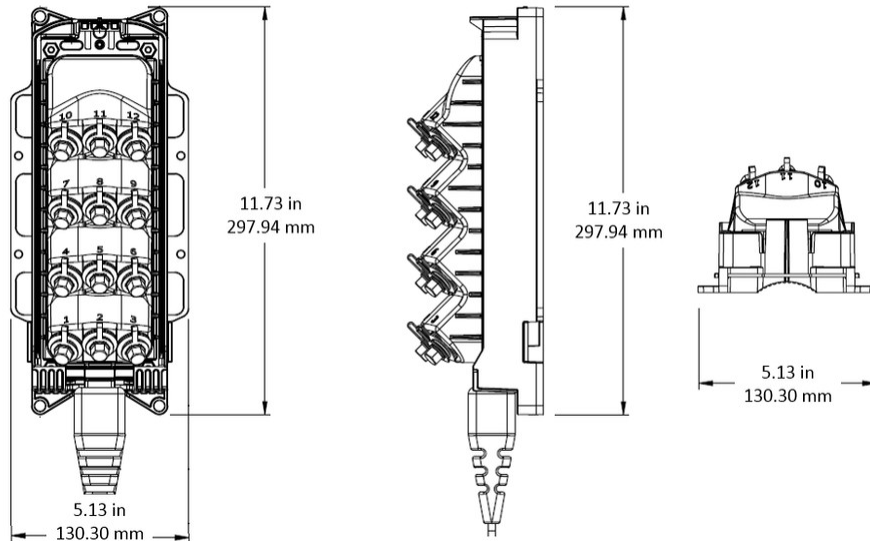
## Dimensions

|               |                      |
|---------------|----------------------|
| <b>Height</b> | 297.8 mm   11.724 in |
| <b>Width</b>  | 130.3 mm   5.13 in   |
| <b>Depth</b>  | 90.4 mm   3.559 in   |

# NDX-06BTMOU-A0100F

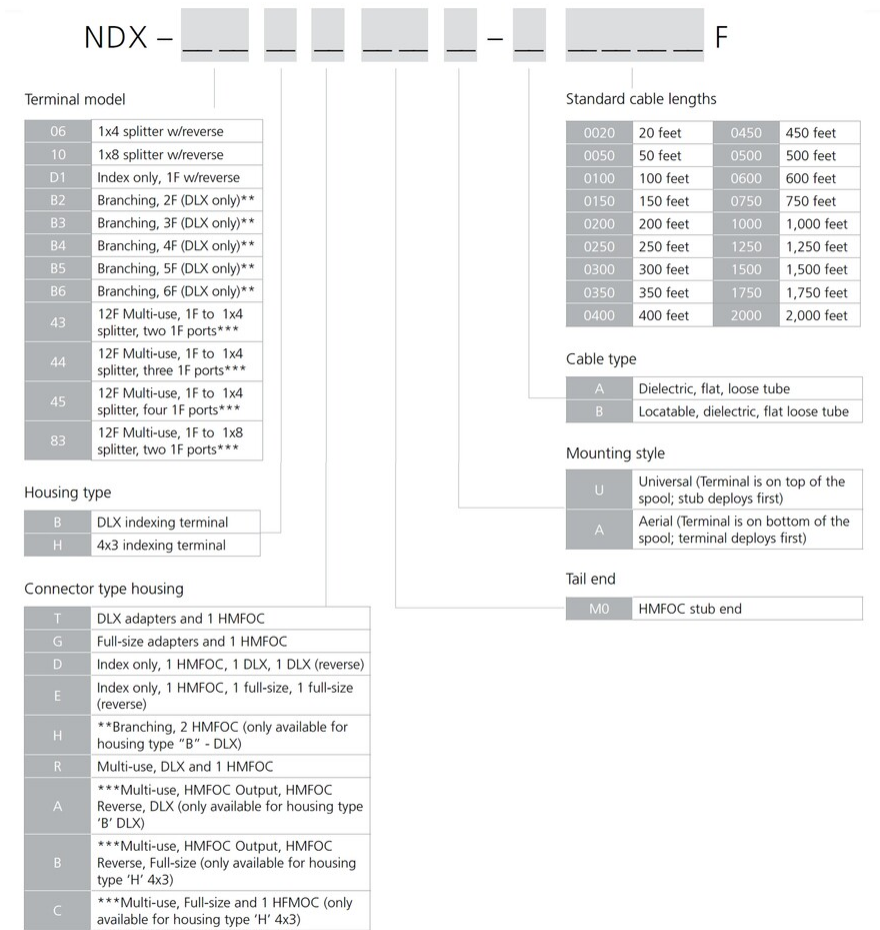
|                             |                               |
|-----------------------------|-------------------------------|
| <b>Cable Length, stub</b>   | 100 ft (30 m)                 |
| <b>Cable Outer Diameter</b> | 4.5 x 8.1 mm (0.18 x 0.32 in) |

## Dimension Drawing



## Ordering Tree

# NDX-06BTMOU-A0100F



\*0-99 foot lengths of cable is automatically coiled and packaged 2 units per box. Lengths greater than 99 feet are spooled.

## Material Specifications

### Enclosure Material Type

Gasketed hardened plastic

## Optical Specifications

### Fiber Type

G.652.D

### Operating Wavelength Range

1260 – 1635 nm

### Attenuation Cable Coefficient, maximum

0.30 dB/km @ 1550 nm | 0.40 dB/km @ 1310 nm

### Attenuation Splitter, maximum

7.1 dB

### Attenuation Terminal Connectors, maximum

0.45 dB

### Directivity, minimum

60 dB

### Uniformity, maximum

0.8 dB

### Insertion Loss, Splitter, typical

6.7 dB

# NDX-06BTMOU-A0100F

|  |         |
|--|---------|
| <b>Insertion Loss, Stub Connector, maximum</b>     | 0.45 dB |
| <b>Insertion Loss, Stub Connector, typical</b>     | 0.16 dB |
| <b>Insertion Loss, Terminal Connector, typical</b> | 0.16 dB |
| <b>Return Loss, Connector, minimum</b>             | 65 dB   |
| <b>Return Loss, Single Ports, minimum</b>          | 55 dB   |

## Environmental Specifications

|                                |   |
|--------------------------------|---|
| <b>Operating Temperature</b>   | -40 °C to +70 °C (-40 °F to +158 °F)  |
| <b>Relative Humidity</b>       | 5%–100%, condensing   |
| <b>Environmental Space</b>     | Above ground   Below ground   Buried  |
| <b>Flammability Rating</b>     | UL 94 V-0   |
| <b>Qualification Standards</b> | IEC 60529, IP68 + 2 m waterhead   NEMA, Type 6 + 10 ft waterhead   Telcordia GR-3120-CORE   Telcordia GR-326-CORE   Telcordia GR-771-CORE |
| <b>UV Resistance</b>           | UV stabilized   |

## Packaging and Weights

|                              |   |
|------------------------------|---|
| <b>Included</b>              | Enclosure (1)   Optical splitter (1)   Universal mounting bracket (1) |
| <b>Packaging quantity</b>    | 1   |
| <b>Packaging Type</b>        | Box   Carton  |
| <b>Weight, without cable</b> | 1 kg   2.205 lb   |

## Regulatory Compliance/Certifications

| <b>Agency</b> | <b>Classification</b>  |
|---------------|--|
| CHINA-ROHS    | Below maximum concentration value  |
| ISO 9001:2015 | Designed, manufactured and/or distributed under this quality management system   |
| REACH-SVHC    | Compliant as per SVHC revision on <a href="http://www.commscope.com/ProductCompliance">www.commscope.com/ProductCompliance</a> |
| ROHS          | Compliant  |
| UK-ROHS       | Compliant  |



## Included Products

|              |   |   |
|--------------|---|---|
| MST-UMB-MINI | – | DLX® Mini-MST, Fiber Optic Universal Mounting Bracket |
|--------------|---|---|

