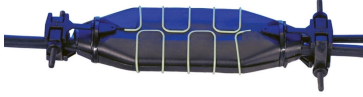


GELSNAP Copper Closure, unpressurized, gel sealed, butt/in-line, for up to 30 pair splices



- Prevents water ingress by use of non-flowing gel under permanent compression
- Robust and reliable under a wide variety of environmental conditions
- Butt, in-line, and branch configurations with many connector types are possible

## Product Classification

<b>Regional Availability</b>	Asia   EMEA   North America
<b>Product Type</b>	Gel filled closure
<b>Product Series</b>	GELSNAP

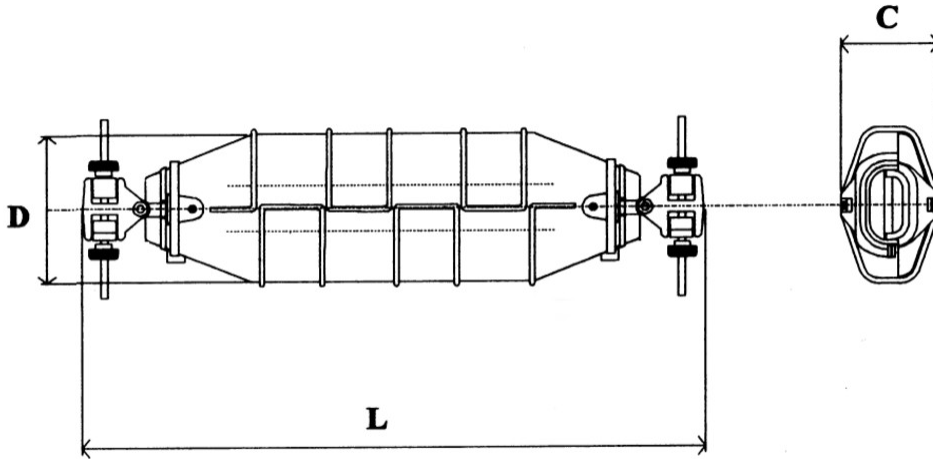
## General Specifications

<b>Cable Sealing Type</b>	Gel filled
<b>Closure Style</b>	In-line   Single-ended
<b>Color</b>	Black
<b>Splicing Capacity, maximum</b>	30

## Dimensions

<b>Height</b>	33 mm   1.299 in
<b>Width</b>	80 mm   3.15 in
<b>Length</b>	335 mm   13.189 in
<b>Single Cable Diameter, maximum</b>	18 mm   0.709 in
<b>Single Cable Diameter, minimum</b>	5 mm   0.197 in
<b>Sheath Opening, nominal</b>	180 mm   7.087 in

## Dimension Drawing



## Environmental Specifications

**Environmental Space** Aerial | Buried

## Packaging and Weights

**Included** Gel compression springs | Gel-filled half-shells | Installation instruction | Strain relief accessories | Tie wraps

**Packaging quantity** 1

**Packaging Type** Bag | Carton

## Regulatory Compliance/Certifications

Agency	Classification
CHINA-ROHS	Below maximum concentration value
ISO 9001:2015	Designed, manufactured and/or distributed under this quality management system
REACH-SVHC	Compliant as per SVHC revision on <a href="http://www.commscope.com/ProductCompliance">www.commscope.com/ProductCompliance</a>
ROHS	Compliant
TL 9000:2016 (R6)	Compliant to this quality management practice

