



## FIST® MSC (Modular Splice Closure), Empty housing, size E, without test valve

- Single ended o-ring sealed dome closure for high capacity splicing in a versatile and modular build
- Transient free and flexible FIST fiber management for optimized fiber routing and cable storage
- Fully removable base for easy cable access during installation and provisioning
- Compatible with high end environmental specifications for aerial, pedestal, underground or direct buried applications
- Superior gel sealing technology incorporated in interchangeable and fully wrap around gel segments
- Toolless and intuitive design in cable seals and cable attachments
- Compatible with a wide range of fiber cable sizes and types

## Product Classification

<b>Regional Availability</b>	Australia/New Zealand   EMEA   Latin America
<b>Product Type</b>	Single-ended, round fiber closure
<b>Product Brand</b>	FIST®
<b>Product Series</b>	FIST-MSC

## General Specifications

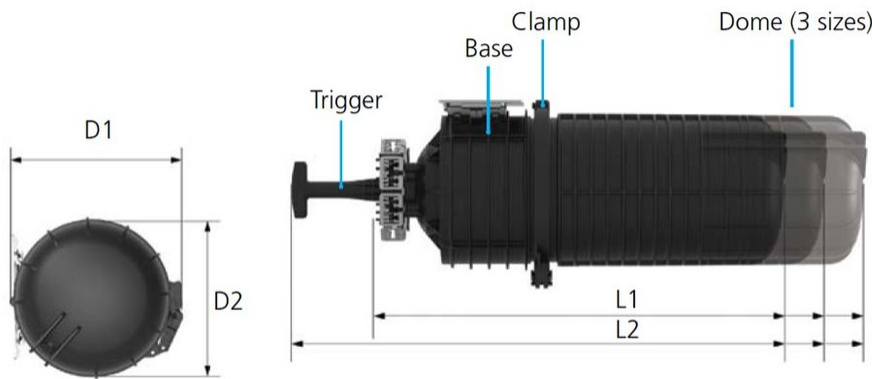
<b>Cable Ports Quantity, total</b>	8 multi-out ports (64 cables)
<b>Cable Sealing Type</b>	Gel kit (optional)
<b>Closure Sealing Type</b>	Dome-to-base clamp with O-ring
<b>Closure Style</b>	Single-ended
<b>Color</b>	Black
<b>Flash Test Valve</b>	None
<b>Mounting</b>	Pole   Strand   Wall
<b>Network Area Type</b>	Distribution   Feeder
<b>Splice Tray Included, quantity</b>	0
<b>Splice Tray Type Included</b>	No trays
<b>Splicing Capacity, Single Fusion, maximum</b>	1248
<b>Splicing Type, Supported</b>	Mass fusion   Single fusion

## Dimensions

# 760242627 | FIST-MSC-E8-N

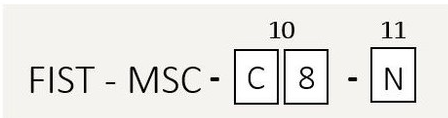
<b>Length</b>	810 mm   31.89 in
<b>Length, with trigger</b>	960 mm   37.795 in
<b>Diameter</b>	256 mm   10.079 in
<b>Diameter, with clamp</b>	291 mm   11.457 in
<b>Main Cable Diameter, maximum</b>	27 mm   1.063 in

## Dimension Drawing



L2 (total length) L1 (length excl. trigger) D1 (diameter with clamp) D2 (diameter without clamp)

## Ordering Tree



### Closure Size

10	C8	C-size closure with 20 UMS height
	D8	D-size closure with 36 UMS height
	E8	E-size closure with 52 UMS height
	F8	F-size closure with 60 UMS height

### Closure Features

11	N	No trays, no test valve
	V	No trays, with test valve

# 760242627 | FIST-MSC-E8-N

---

## Material Specifications

**Material Type** Impact-resistant polymer

## Environmental Specifications

**Operating Temperature** -40 °C to +65 °C (-40 °F to +149 °F)

**Environmental Space** Above ground | Below ground | Buried | Manhole

**Qualification Standards** IEC 60529, IP68 + 5 m waterhead | IEC 61753-1 Ed2 (2018)

**Water Resistance** Flash test valve at 5 psi (40 kPa)

## Packaging and Weights

**Included** Dome with seal and clamp | Innerframe | Removable base

**Packaging quantity** 1

**Packaging Type** Box | Carton

**Weight, net** 9.7 kg | 21.385 lb

## Regulatory Compliance/Certifications

Agency	Classification
CHINA-ROHS	Above maximum concentration value
ISO 9001:2015	Designed, manufactured and/or distributed under this quality management system
REACH-SVHC	Compliant as per SVHC revision on <a href="http://www.commscope.com/ProductCompliance">www.commscope.com/ProductCompliance</a>
ROHS	Compliant/Exempted
UK-ROHS	Compliant

