

DF-CAPKIT



7-16 DIN Female End Cap Assembly

Product Classification

Product Type	Surge arrestor accessory
Ordering Note	CommScope® standard product in Asia Pacific

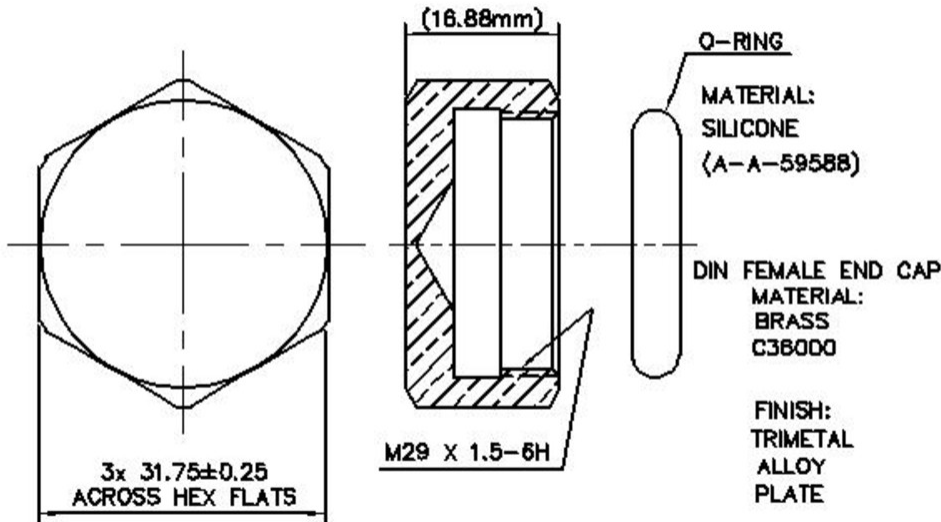
General Specifications

Interface	7-16 DIN Female
------------------	-----------------

Dimensions

Width	31.75 mm 1.25 in
Length	16.88 mm 0.665 in

Outline Drawing



DF-CAPKIT

Mechanical Specifications

Mechanical Shock Test Method IEC 60068-2-27

Environmental Specifications

Operating Temperature -55 °C to +85 °C (-67 °F to +185 °F)
Storage Temperature -65 °C to +125 °C (-85 °F to +257 °F)
Corrosion Test Method IEC 60068-2-11
Immersion Depth 1 m
Immersion Test Mating Mated
Immersion Test Method IEC 60529:2001, IP68
Moisture Resistance Test Method IEC 60068-2-3
Thermal Shock Test Method IEC 60068-2-14
Vibration Test Method IEC 60068-2-6

Packaging and Weights

Packaging quantity 1
Weight, net 63.5 g | 0.14 lb

Regulatory Compliance/Certifications

Agency	Classification
CHINA-ROHS	Below maximum concentration value
ISO 9001:2015	Designed, manufactured and/or distributed under this quality management system
REACH-SVHC	Compliant as per SVHC revision on www.commscope.com/ProductCompliance
ROHS	Compliant



* Footnotes

Immersion Depth Immersion at specified depth for 24 hours