

## BUDI Plug-and-Play

### Building Distribution Enclosure for Connectorized Applications

BUDI is a product range of compact, wall mountable fiber enclosures for indoor and outdoor use. They are specifically designed for fast deployment and easy customer connection.

The BUDI Plug-and Play speeds up FTTH deployments and is therefore especially suited for PON and point-to-point networks.

Available with splicing and/or patching capabilities, high connector density, small and larger footprints, the BUDI product range offers flexible solutions for a wide range of applications in the access network.

#### Benefits

- Plug-and-play solution
- Reduced installation time
- Fast customer connection
- Compact and flexible design
- Extensive product range

#### Features

- Designed to operate in category C (controlled), category G (outdoor ground level) and category A (aerial) as characterized by IEC 61753-1
- Fire retardant, LSZH materials
- UV stable material for outdoor above ground use
- Multiple cable ports available
- Bottom cable seal blocks are wrap-around
- Accommodates SC, LC and other connectors
- Compatible with pre-connectorized Mini-Breakout cable
- Allows integration of passive optical components
- Small and large footprints
- Multiple accessories on cable termination and connectorization (PON, P2P)
- Can serve as demarcation between residential and business customers
- Removable enclosure lid
- Quareo Scan Assist compatible

# BUDI Plug-and-Play

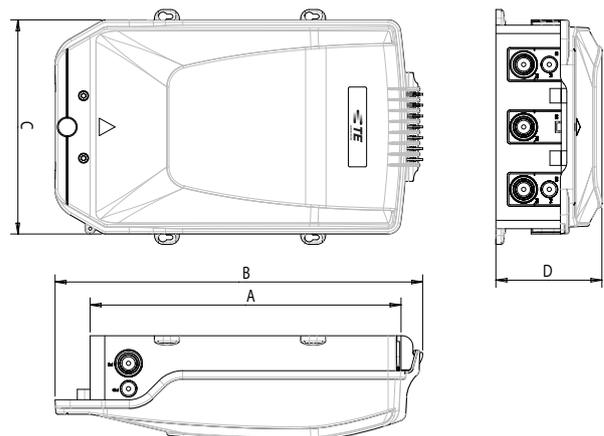
Building Distribution Enclosure for Connectorized Applications

## Features

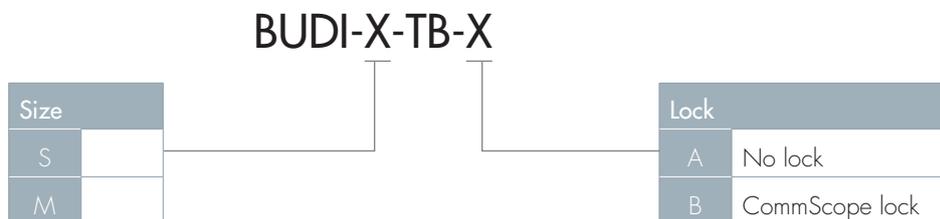
	Type of BUDI		
	BUDI-S-TB	BUDI-M-TB	BUDI-M-TH
<b>PON network</b>			
SC connections	24	48	96
LC connections	48	96	96
Cable loop	no	yes	yes
OCM6 splitters	4	6	3
Parking	32	32	24
<b>Point-to-point network</b>			
PtP connections	8	8	0
Quareo Scan Assist compatibility	yes	yes	yes

## Dimensions

Size	BUDI-S	BUDI-M
A: Height box (mm)	425	480
B: Height cover (mm)	500	550
C: Width (mm)	295	360
D: Depth (mm)	145	175



## Ordering Information



Please refer to dimensions above.

## BUDI Plug-and-Play

### Building Distribution Enclosure for Connectorized Applications

#### Accessories required to complete BUDI-X-TB-X

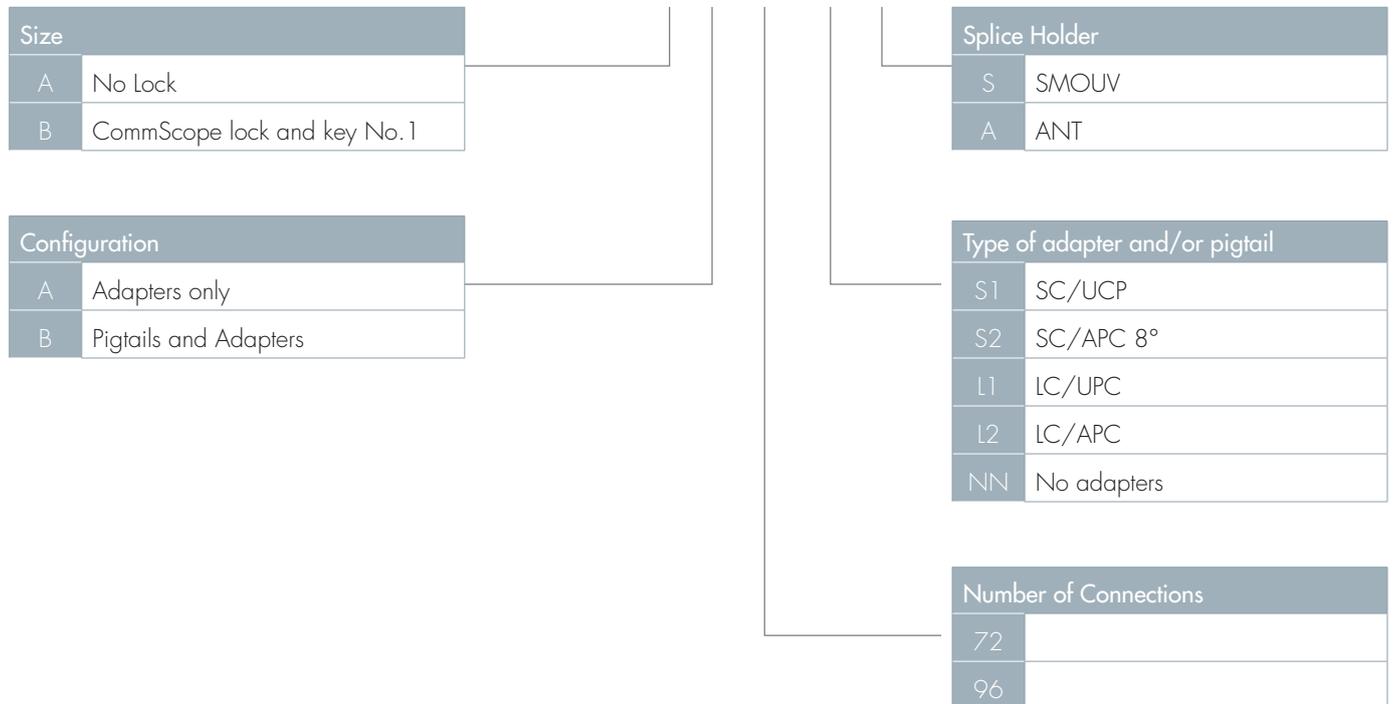
Kit content/PON application kit	BUDI-PON-24S1-S	BUDI-PON-24S2-S	BUDI-PON-24L1-S	BUDI-PON-24L2-S	BUDI-PON-48S1-S	BUDI-PON-48S2-S	BUDI-PON-48L1-S	BUDI-PON-48L2-S	BUDI-PON-96L1-S	BUDI-PON-96L2-S
Patch trays (SMOUV splice holder)	2	2	1	1	4	4	2	2	4	4
Covers	1	1	no	no	3	3	1	1	3	3
Cover to contain connector parking lots	1	1	1	1	1	1	1	1	1	1
OCM6 splitter holder tower for 2 splitter modules	1	1	1	1	1	1	1	1	1	1
OCM6 splitter extension	no	no	no	no	2	2	2	2	2	2
SC parking array	1	1	no	no	2	2	no	no	no	no
LC parking array	no	no	1	1	no	no	2	2	2	2
# S1 ADKs	24	no	no	no	48	no	no	no	no	no
# S2 ADKs	no	24	no	no	no	48	no	no	no	no
# L1 duplex ADKs	no	no	12	no	no	no	24	no	48	no
# L2 duplex ADKs	no	no	no	12	no	no	no	24	no	48
# S1/S2 for splitter input connection	2	2	2	2	4	4	4	4	4	4
Pigtail management tower	no	no	no	no	1	1	1	1	1	1
Tray riser cable fixation	yes	yes	yes	yes	yes	yes	yes	yes	yes	yes

# BUDI Plug-and-Play

Building Distribution Enclosure for Connectorized Applications

## Ordering Information

**BUDI-M-TH-X-X XX XX X**



[www.commscope.com](http://www.commscope.com)

Visit our website or contact your local CommScope representative for more information.

© 2015 CommScope, Inc. All rights reserved.

All trademarks identified by ® or ™ are registered trademarks or trademarks, respectively, of CommScope, Inc. This document is for planning purposes only and is not intended to modify or supplement any specifications or warranties relating to CommScope products or services.

PS-321551EU (10/15) previously TC 1161/DS/4 01/14

### Contact us

Address:  
Diestsesteenweg 692  
3010 Kessel-Lo, Belgium

Tel 32-16 351 011 Fax 32-16 351 697